



# Hot Sprue Bushings

## Inch Series



Inch Series Hot Sprue Bushings are manufactured to standard sprue bushing sizes and are designed to replace existing cold sprues, replace inefficient hot sprues, or feed into runner systems.

This unique bushing with its full length thermally conductive core and nickel plated tip eliminates uneven heating problems, keeping the melt temperature consistent throughout the bushing.

Engineered and manufactured for Progressive by Mastip™ Technologies.

### Two tip options:

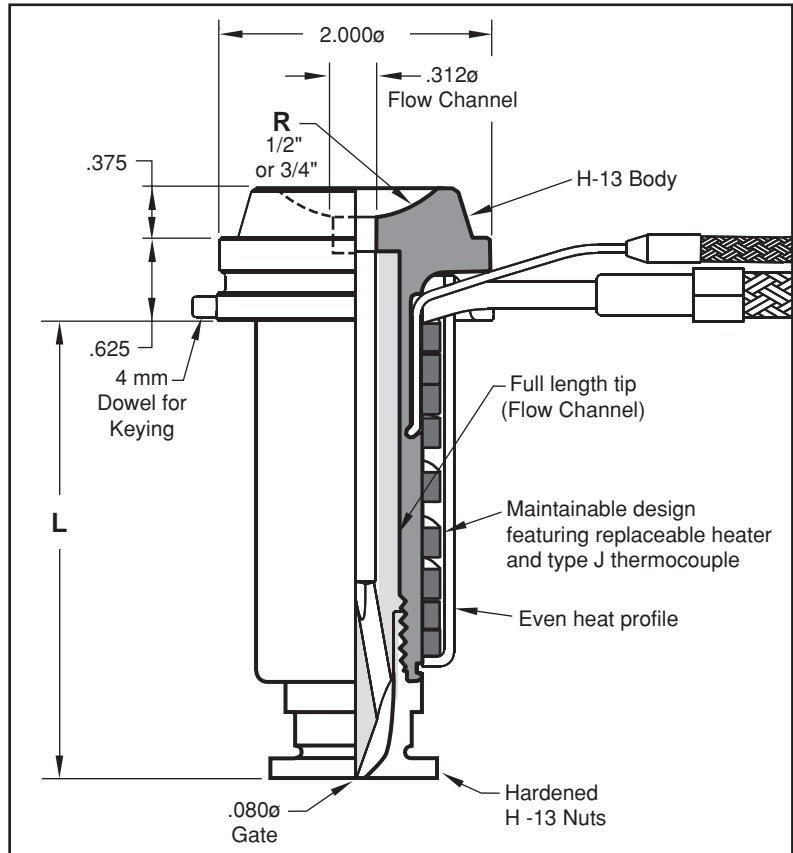
Unfilled commodity and engineering grade thermoplastics are suitable for the Nickel Plated Be/Cu tip (-A).

Any material with glass filler requires the Carbide-Copper Alloy inserted tip (-C).

### Each Hot Sprue Bushing Assembly includes:

Body, Tip, Recessed Connector (ECRC-1), and Wire Channel Insert.

Replacement tips, heaters, and thermocouples are available. Refer to the price list for catalog numbers.



**To Order:** Specify all options within catalog number as shown:

### Radius Options:

- 1/2" Specify **-50**
- 3/4" Specify **-75**
- O-Ring Special Order

### Nut Options:

- Standard Length Specify **-SL**
- Extra Stock Specify **-XS**
- Long Style Specify **-LS**
- Sprue Picker Specify **-SP**

### Tip Material Options:

- Nickel Plated Be/Cu Specify **-A**
- Carbide Tipped Specify **-C**

► CAD insertion point

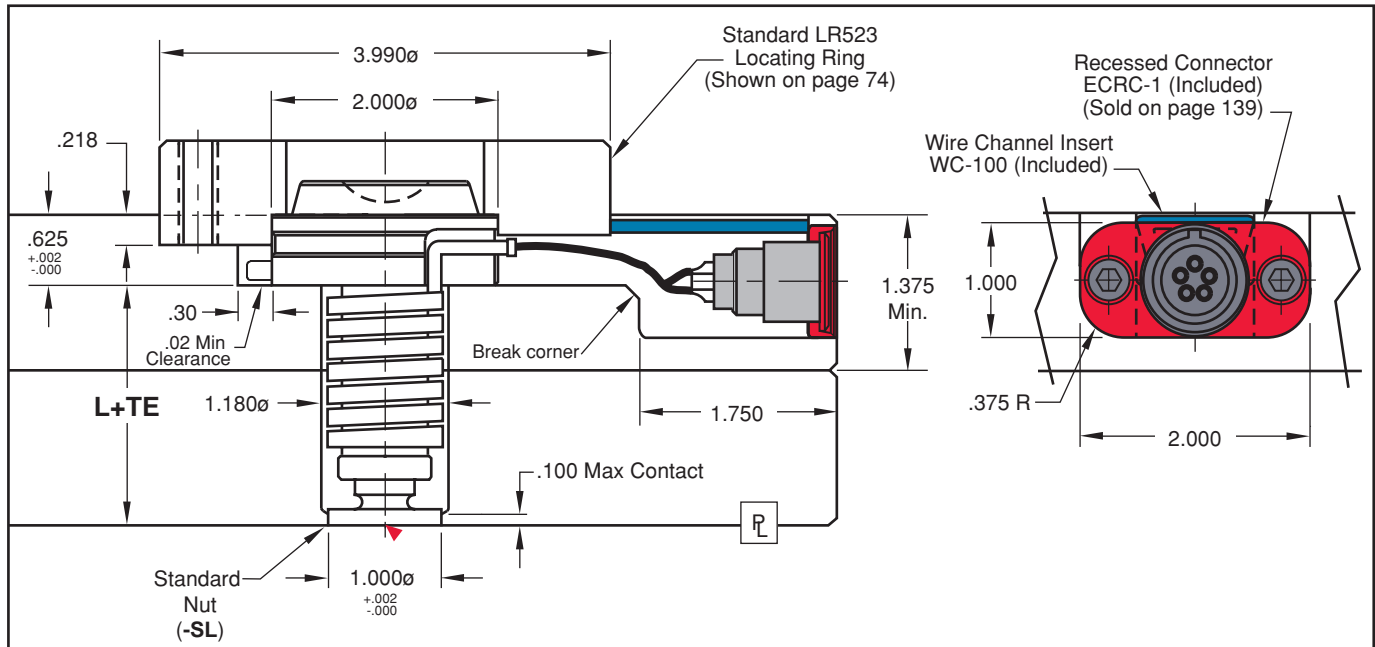
Prefix/Length	L	Watts
MST2513	1.375	330
MST2518	1.875	400
MST2523	2.375	470
MST2528	2.875	550
MST2533	3.375	550
MST2538	3.875	620
MST2543	4.375	620

**MST2518 - 50 - SL - C**  
 Prefix/Length - Radius - Nut - Tip Material  
 Example: MST2523-75-XS-A or MST2543-50-SP-C

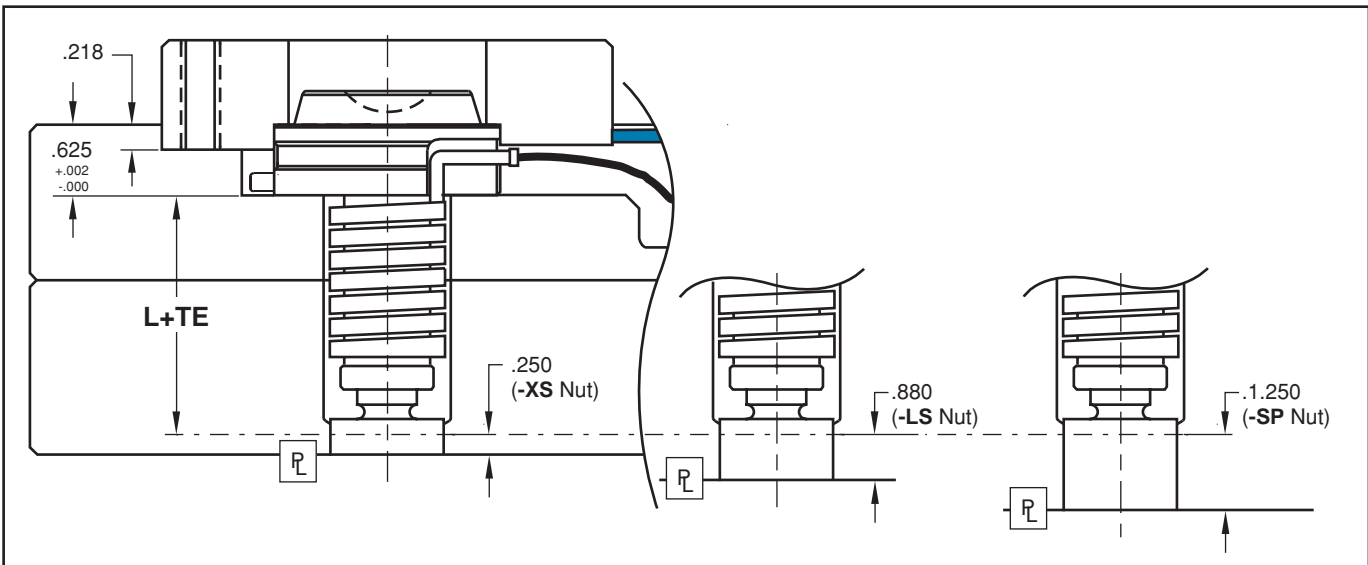
# Hot Sprue Bushings

## Installation

### Typical installation instructions:



### Longer nut installation instructions:



**D** [www.procomps.com/design](http://www.procomps.com/design)

### General specifications:

Expansion formula (TE):  
 $.000006 \times (\text{Processing Temp } F^\circ - 70^\circ F) \times L$   
 230 volt-15 amps  
 "J" type thermocouple

Additional nozzles and accessories are also available from Progressive Components. Contact Customer Service for more information or visit [www.procomps.com](http://www.procomps.com).