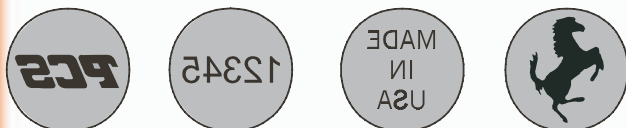
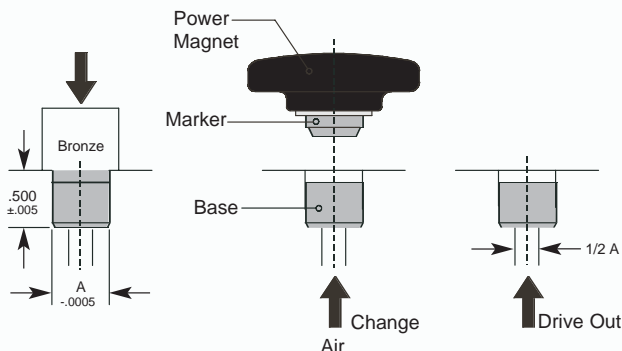


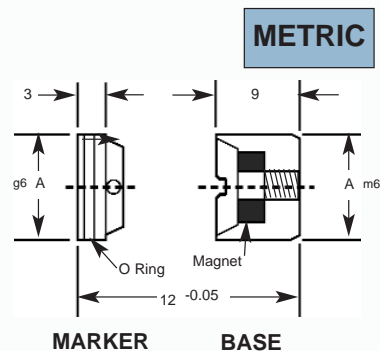


Universal Marker

Patented Cumsa System



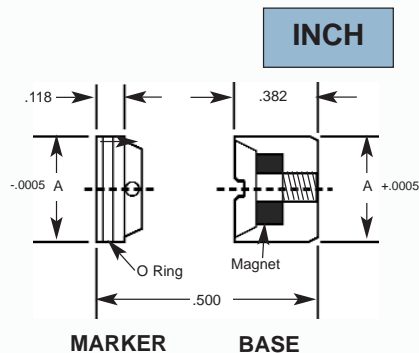
Examples of Custom Engraving



MARKER

BASE

METRIC



MARKER

BASE

INCH

Inserts not included with base, must be purchased separately

Recycling Insert Material Codes (SPI Standards)		
CODE NUMBER	ENGRAVED LETTERING	MATERIAL IDENTIFICATION
1	PETE	Polyethylene Terephthalate (PET)
2	HDPE	High Density Polyethylene
3	V	Polyvinyl Chloride (PVC)
4	LDPE	Low Density Polyethylene
5	PP	Polypropylene
6	PS	Polystyrene
7	OTHER	All other Resins
N	ARROW ONLY	NONE
A*	BLANK (UNMARKED)	NONE

* NOTE: "A" code only for inch markers
Metric markers are blank unless otherwise specified

POWER MAGNET
CATALOG NUMBER
MP-100

INCH CATALOG NUMBER		A
MARKER ONLY	BASE ONLY	
UM-375-	UM-375-B	.375
UM-500-	UM-500-B	.500
UM-625-	UM-625-B	.625

NOTE: Add Recycle Code Number to end of catalog number (i.e. UM-375-1)

METRIC CATALOG NUMBER		A	E
MARKER ONLY	BASE ONLY		
II 101203	BI 101209	10	6
II 121203	BI 121209	12	8
II 161203	BI 161209	16	10

Home of the Hardened Throughout™ Pin

