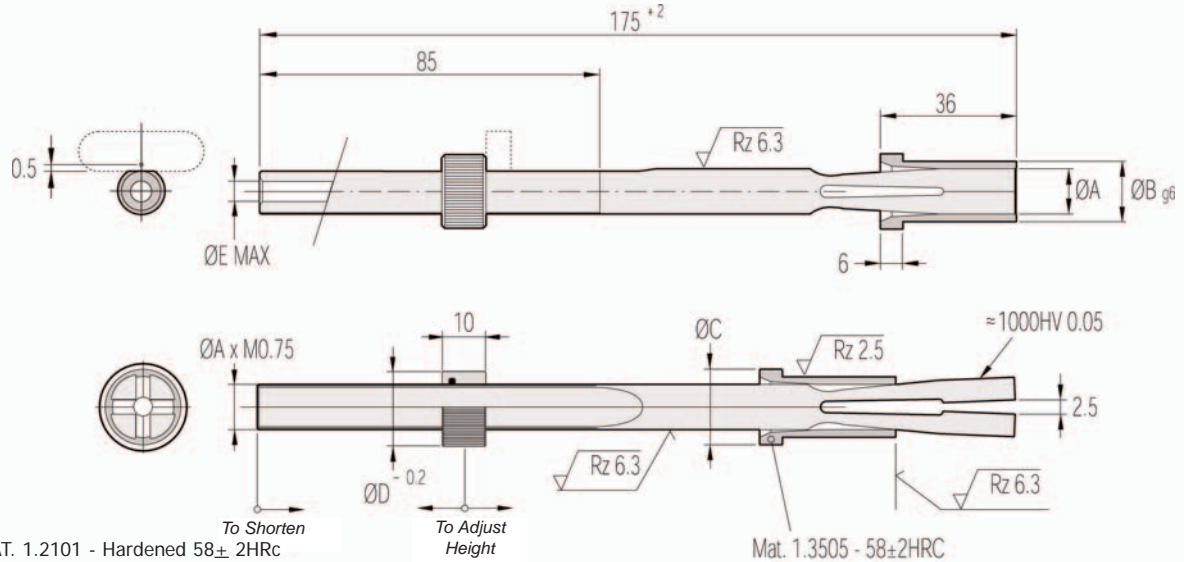
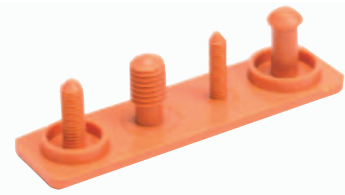


Tulip The Space Saver!

Patented Cumsa System



MAT. 1.2101 - Hardened 58± 2HRC
Friction Area: Balinit C®

Mat. 1.3505 - 58±2HRC

CATALOG NUMBER	A	B	C	D	E	H
EE 060175	6	10	12	12	-	9
EE 082175	8	12	14	14	2	11
EE 103175	10	14	16	16	3	13
EE 124175	12	16	18	18	4	15

- Useful to release small undercuts, this ejector is pre-adjusted and height adjustable. Easy to install, machining is 90° to parting line. The Balinit C® coating offers smooth action

Special Lengths of 250 and 325mm upon request.

