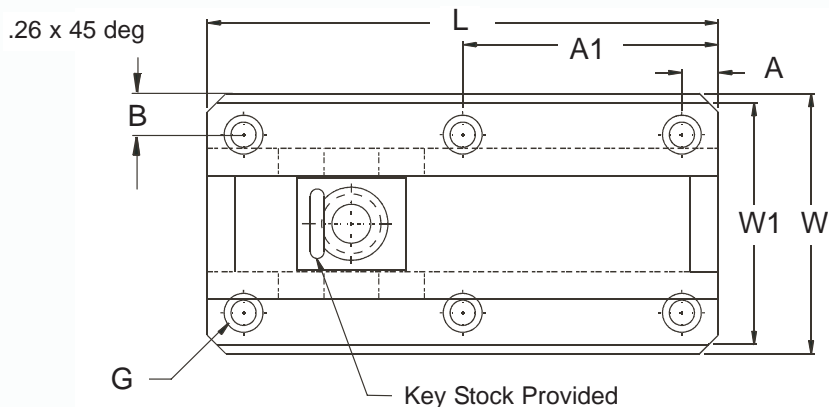
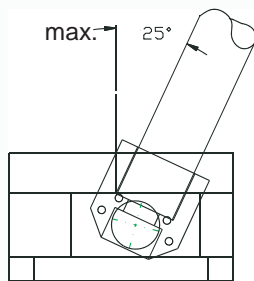
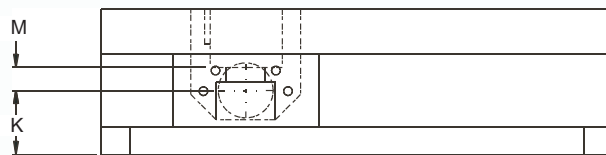


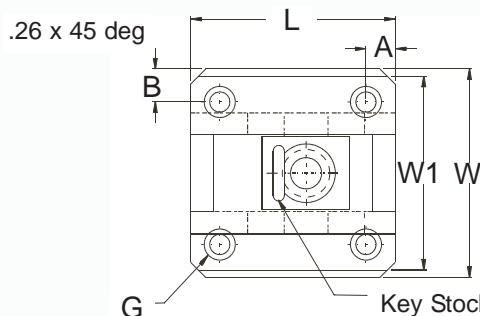
# Trunnion Lifter Base



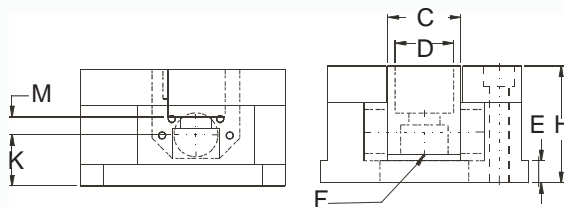
Key Stock Provided



Longer travel set



Key Stock Provided



### Replacement Bearing Blocks

| Assembly | Grease Grooves |
|----------|----------------|
| TLB-050  | BBP-050        |
| TLB-075  | BBP-075        |
| TLB-100  | BBP-100        |

**Material:** Bearing Block: C954; Other components: P20

| CATALOG NUMBER | W<br>+.000<br>-.010 | L<br>+.000<br>-.010 | H     | W1<br>+.000<br>-.010 | A<br>+/-<br>.005 | A1<br>+/-<br>.005 | B<br>+/-<br>.005 | C     | D   | E<br>+.000<br>-.005 | F   | G       | K    | M    | Stroke |
|----------------|---------------------|---------------------|-------|----------------------|------------------|-------------------|------------------|-------|-----|---------------------|-----|---------|------|------|--------|
| TLB-050        | 2.190               | 3.000               | 1.500 | 1.940                | .500             | -                 | .343             | .625  | 1/2 | 0.375               | 1/4 | 10-24   | .734 | .265 | 1.5    |
| TLB-075        | 2.888               | 3.250               | 1.750 | 2.702                | .500             | -                 | .363             | .875  | 3/4 | 0.375               | 3/8 | 1/4-20  | .859 | .241 | 1.5    |
| TLB-075-L      | 2.888               | 5.000               | 1.750 | 2.700                | .500             | 2                 | .363             | .875  | 3/4 | 0.375               | 3/8 | 1/4-20  | .859 | .241 | 3      |
| TLB-075-XL     | 2.888               | 7.000               | 1.750 | 2.700                | .500             | 3.5               | .363             | .875  | 3/4 | 0.375               | 3/8 | 1/4-20  | .859 | .241 | 5      |
| TLB-100        | 3.562               | 3.500               | 2.000 | 3.312                | .500             | -                 | .438             | 1.250 | 1   | 0.375               | 1/2 | 5/16-18 | .875 | .313 | 1.5    |
| TLB-100-L      | 3.562               | 5.000               | 2.000 | 3.312                | .500             | 2.5               | .438             | 1.250 | 1   | 0.375               | 1/2 | 5/16-18 | .875 | .313 | 3      |
| TLB-100-XL     | 3.562               | 7.000               | 2.000 | 3.312                | .500             | 3                 | .438             | 1.250 | 1   | 0.375               | 1/2 | 5/16-18 | .875 | .313 | 5      |

**Ordering Note:** Bearing Blocks come standard with grease grooves.