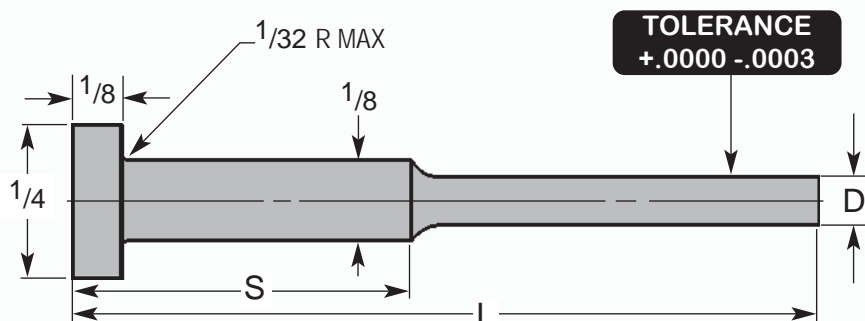


Step Pins

Hardened Throughout™ Pin



FOR APPLICABLE REAMER, SEE PAGES C-16 AND C-17

Tolerances	
Pin Diameter (D)	+ .0000 - .0003
Shoulder Diameter	+ .000 - .001
Shoulder Length (S)	+ .010 - .010
Head Diameter	+ .000 - .010
Head Thickness	+ .000 - .002
Length (L)	+ .062 - .000

- Non-brittle and non-chipping surface eliminates flashing problems associated with nitrided pins
- Surface is hardened to 65-70 Rc
- Core is hardened to 50-52 Rc
- Precision ground to 4-10 micro-inch finish
- Manufactured from premium hotwork steel
- **Etched for Easy Identification**



CATALOG NUMBER	D PIN DIA	+ .0000 - .0003 ACTUAL SIZE	L LENGTH	S SHOULDER LENGTH	STD	.005 OS
SP4-102	3/64	.0464	10	2	•	•
SP5-102	1/16	.0620	10	2	•	•
SP6-102	5/64	.0776	10	2	•	•
SP7-102	3/32	.0933	10	2	•	•
SP8-102	7/64	.1089	10	2	•	•
SP5-142	1/16	.0620	14	2	•	•
SP6-142	5/64	.0776	14	2	•	•
SP7-142	3/32	.0933	14	2	•	•
SP8-142	7/64	.1089	14	2	•	•
SP3-83	1/32	.0307	8	3	•	•
SP4-83	3/64	.0464	8	3	•	•
SP5-83	1/16	.0620	8	3	•	•
SP6-83	5/64	.0776	8	3	•	•
SP7-83	3/32	.0933	8	3	•	•
SP8-83	7/64	.1089	8	3	•	•
SP3-84	1/32	.0307	8	4	•	•
SP4-84	3/64	.0464	8	4	•	•
SP5-84	1/16	.0620	8	4	•	•
SP6-84	5/64	.0776	8	4	•	•
SP7-84	3/32	.0933	8	4	•	•
SP8-84	7/64	.1089	8	4	•	•
SP4-104	3/64	.0464	10	4	•	•
SP5-104	1/16	.0620	10	4	•	•
SP6-104	5/64	.0776	10	4	•	•
SP7-104	3/32	.0933	10	4	•	•
SP8-104	7/64	.1089	10	4	•	•

For oversize add "OS" to the end of the catalog number (i.e. SP4-102OS)

