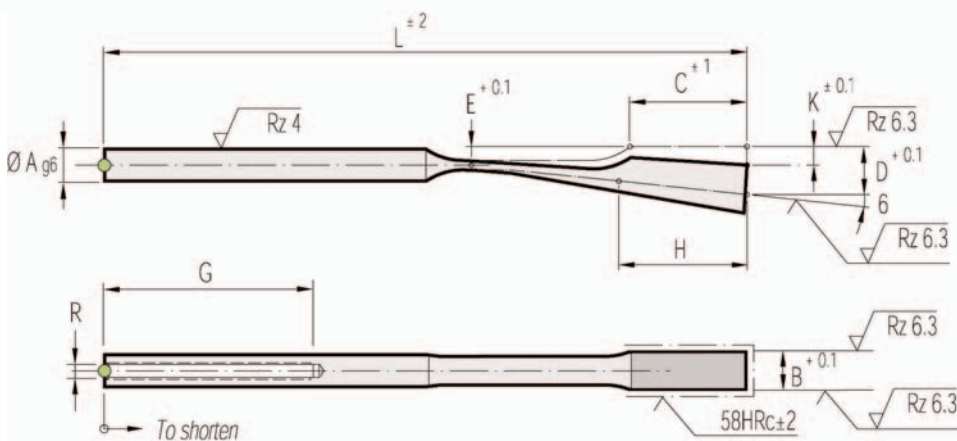


# Retractable Core

Patented Cumsa System



- Manufactured from spring steel
- This unit allows the release of small undercuts
- Activated by the ejector plates as a standard ejector



MAT. 1.8159 Hardened 45± 3Rc + Bronze

Catalog Number	A	B	C	D	E	G	H	K	L	R
PP.060622	6	6.2	22	9	3.5	40	25	3.5	125	M.4
PP.060822	6	8.2	22	9	3.5	40	25	3.5	125	M.4
PP.080825	8	8.2	25	11.5	4.5	50	30	4.5	140	M.5
PP.081025	8	10.2	25	11.5	4.5	50	30	4.5	140	M.5
PP.081225	8	12.2	25	11.5	4.5	50	30	4.5	140	M.5
PP.101430	10	14.2	30	15	5.5	60	38	5.5	175	M.6
PP.101630	10	16.2	30	15	5.5	60	38	5.5	175	M.6
PP.101830	10	18.2	30	15	5.5	60	38	5.5	175	M.6

Special sizes on request.