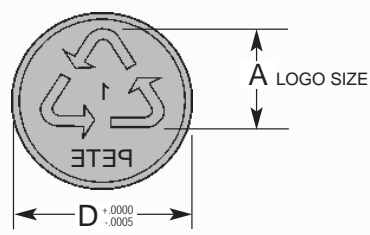
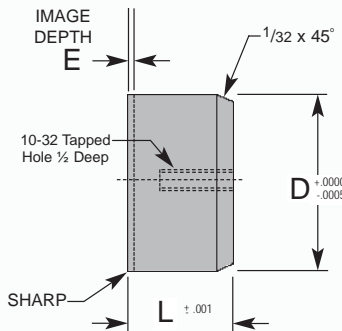


# Recycle Inserts

## 420 Stainless



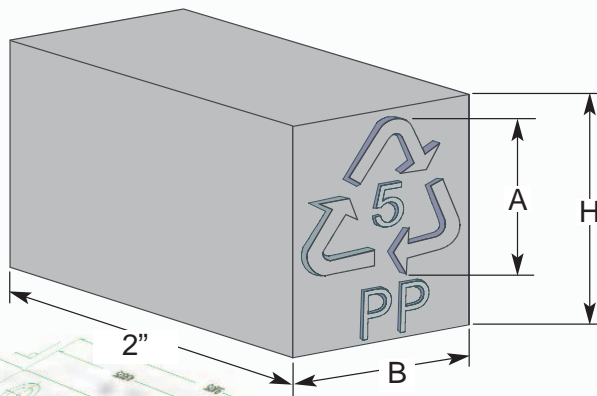
Recycling Insert Material Codes (SPI Standards)		
CODE NUMBER	ENGRAVED LETTERING	MATERIAL IDENTIFICATION
1	PETE	Polyethylene Terephthalate (PET)
2	HDPE	High Density Polyethylene
3	V	Polyvinyl Chloride (PVC)
4	LDPE	Low Density Polyethylene
5	PP	Polypropylene
6	PS	Polystyrene
7	OTHER	All other Resins
N	ARROW ONLY	NONE

• Made from 420 Stainless 48 - 52 Rc

CATALOG NUMBER	D DIA	L LENGTH	E IMAGE DEPTH	A LOGO SIZE
CR375-	.375	.625	.010	.187
CR500-	.500	.625	.010	.250
CR625-	.625	.625	.015	.312
CR750-	.750	.625	.020	.375

Add code number to end of catalog number (i.e. CR750-3)  
See SPI standards chart

# Graphite Electrode



**What's Important**

- Made from Poco #3
- Larger logo sizes available upon request

CATALOG NUMBER	A LOGO SIZE	B WIDTH	H HEIGHT	IMAGE DEPTH
RE100-	.250	.312	.387	.020
RE200-	.375	.460	.562	.030
RE300-	.500	.625	.750	.040
RE400-	.750	.937	1.250	.050

Add code number to end of catalog number (i.e. RE300-2)  
See SPI standards chart above

