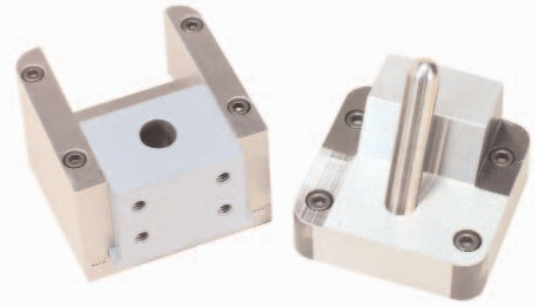


Ready Slide Assembly

Pre-Assembled, Ready-to-Ship

RSA-300 Series

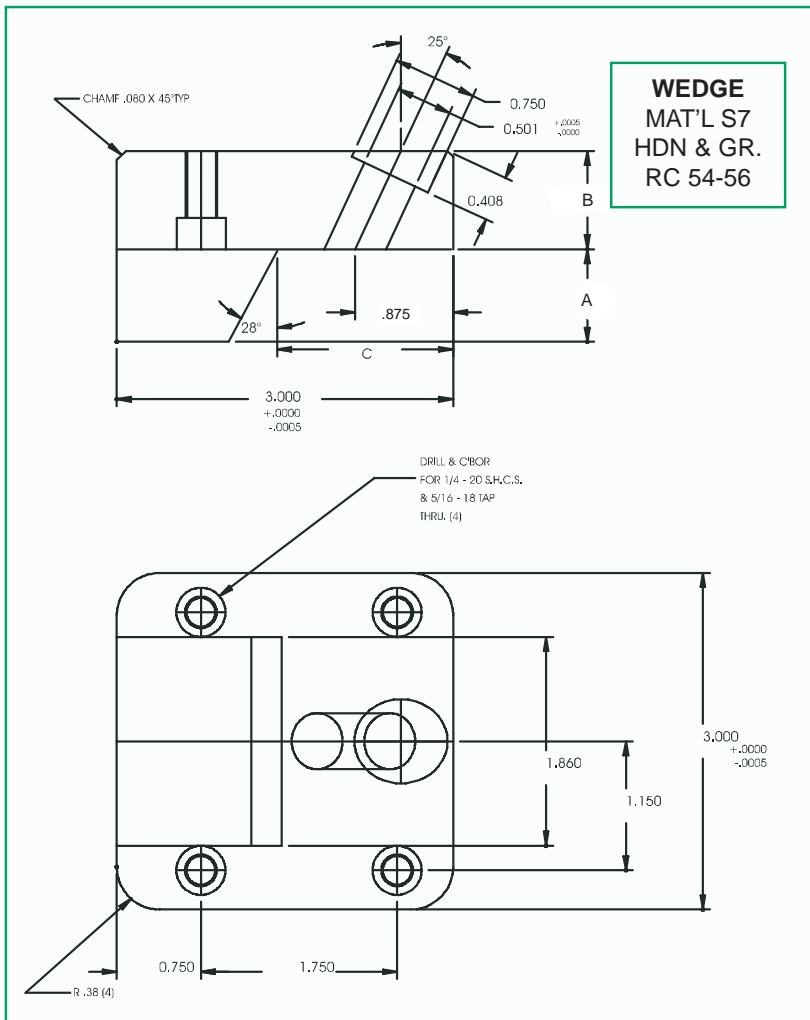


CATALOG NUMBER	WEDGE		
	A	B	C
RSA-301	.500	.630	1.660
RSA-302	.820	.880	1.550
RSA-303	.820	.880	.825

All mounting screws provided

What's Important

- IN STOCK - ready to ship
- Reduces lead time
- Easy installation
- Mounting screws provided
- Units are finished with grind stock on overall width, bottom of guide shoe, and wedge angle
- Hardened and precision ground components are made with dissimilar steels and hardnesses
- The lubricious properties of the armorclad treatment combined with the qualities of graphitic tool steel (0-6) provide a dependable, smooth acting slide system
- Longer guides and wear plate available for longer slide strokes



Ready Slide Assembly

Pre-Assembled, Ready-to-Ship
RSA-300 Series

