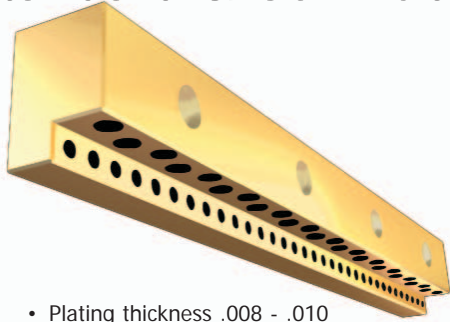
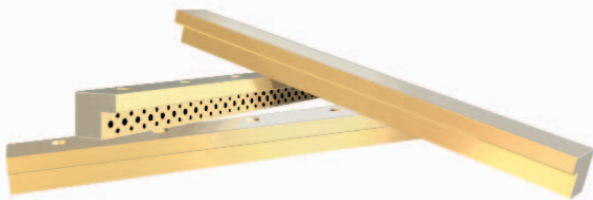


L-Gibs

Standard & Self-Lubricating

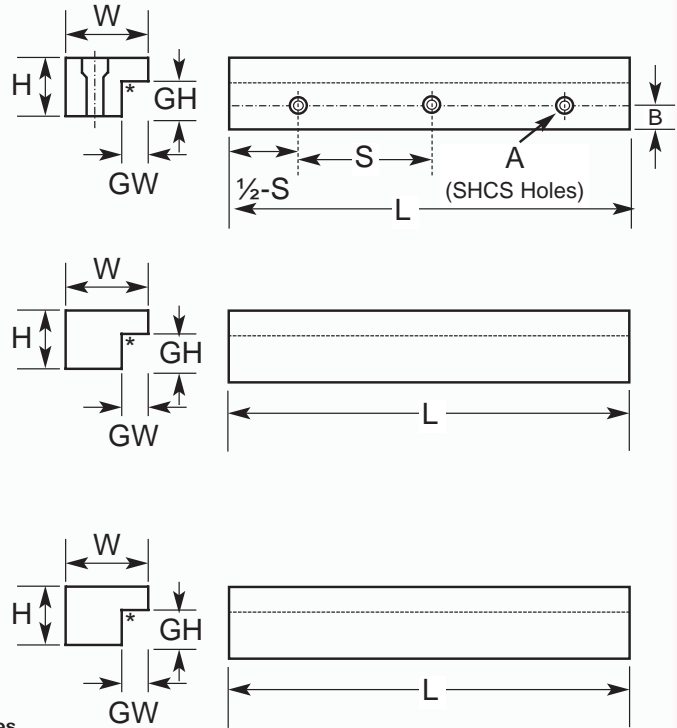


- Plating thickness .008 - .010
- One-piece construction with pre-drilled & counterbored screw holes, machined complete



L-Gibs available in seven sizes, without mounting holes

Self-lubricating L-Gibs now available with or without mounting holes



*1/32" Radius Max

GW GIB WIDTH	GH GIB HEIGHT	W WIDTH	H HEIGHT	L LENGTH	STANDARD Catalog Number	SELF-LUBE Catalog Number	S	NO. OF SCREW HOLES	A	B
.1875 (4.76 mm)	.3125 (7.94 mm)	.75 (19.0 mm)	.485 (12.7 mm)	5.25 (133mm)	L4-6-3	N/A	1.75 (44.5mm)	3	.25 (M6)	.28 (7.1mm)
				7.0 (178mm)	L4-6-4	N/A		4		
				8.75 (222mm)	L4-6-5	SLL4-6-5		5		
				8.75 (222mm)	L4-6-NH	SLL4-6-NH	NO MOUNTING HOLES			
.250 (6.35 mm)	.375 (9.53 mm)	1.0 (25.4 mm)	.610 (15.9 mm)	6.0 (152mm)	L5-8-3	N/A	2.00 (50.8mm)	3	.31 (M8)	.38 (9.5mm)
				8.0 (203mm)	L5-8-4	N/A		4		
				10.0 (254mm)	L5-8-5	SLL5-8-5		5		
				10.0 (254mm)	L5-8-NH	SLL5-8-NH	NO MOUNTING HOLES			
.375 (9.53 mm)	.500 (12.7 mm)	1.25 (31.8 mm)	.860 (22.2 mm)	7.5 (190mm)	L7-10-3	N/A	2.50 (63.5mm)	3	.39 (M10)	.44 (11.1mm)
				10.0 (254mm)	L7-10-4	N/A		4		
				12.5 (317mm)	L7-10-5	SLL7-10-5		5		
				12.5 (317mm)	L7-10-NH	SLL7-10-NH	NO MOUNTING HOLES			
.500 (12.70 mm)	.750 (19.05 mm)	1.50 (38.1 mm)	1.235 (31.8 mm)	9.0 (228mm)	L10-12-3	N/A	3.00 (76.2mm)	3	.39 (M10)	.50 (12.7mm)
				12.0 (304mm)	L10-12-4	N/A		4		
				15.0 (381mm)	L10-12-5	SLL10-12-5		5		
				15.0 (381mm)	L10-12-NH	SLL10-12-NH	NO MOUNTING HOLES			
.625 (15.88 mm)	.875 (22.23 mm)	2.00 (50.8 mm)	1.470 (38.1 mm)	16.0 (406mm)	L12-16-4	N/A	4.00 (101.6mm)	4	.50 (M12)	.69 (17.5mm)
				24.0 (610mm)	L12-16-6	SLL12-16-6		6		
				24.0 (610mm)	L12-16-NH	SLL12-16-NH	NO MOUNTING HOLES			
.750 (19.05 mm)	1.250 (31.75 mm)	2.50 (63.5 mm)	1.970 (50.8 mm)	24.0 (610mm)	L16-20-6	N/A	4.00 (101.6mm)	6	.62 (M16)	.87 (22.2mm)
				32.0 (813mm)	L16-20-8	SLL16-20-8		8		
				32.0 (813mm)	L16-20-NH	SLL16-20-NH	NO MOUNTING HOLES			
1.000 (25.40 mm)	1.500 (38.10 mm)	3.00 (76.2 mm)	2.470 (63.5 mm)	30.0 (762mm)	L20-24-5	N/A	6.00 (152.4mm)	5	.62 (M16)	1.0 (25.4mm)
				48.0 (1219mm)	L20-24-8	SLL20-24-8		8		
				48.0 (1219mm)	L20-24-NH	SLL20-24-NH	NO MOUNTING HOLES			

