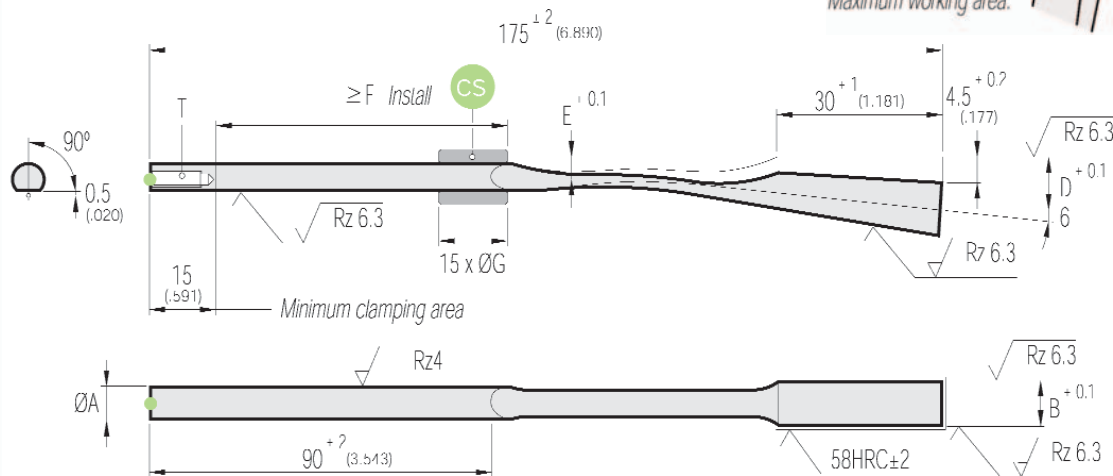
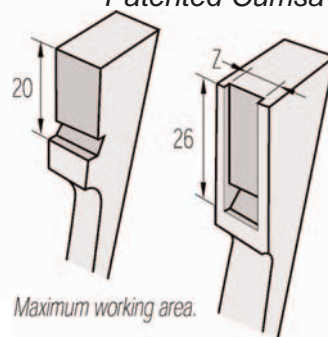
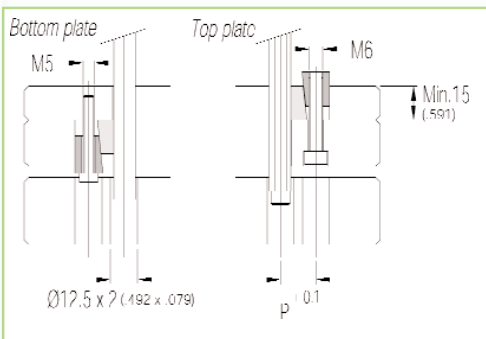


# Keyed Retractable Core

Patented Cumsa System

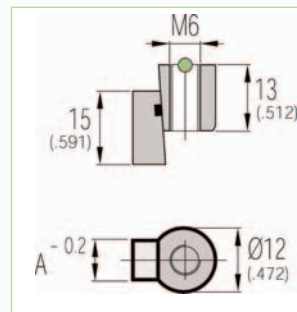


MAT. 1.8159 Hardened  $45 \pm 3Rc$  + Bronze



- Spring steel part used to release small undercuts
- A reference plane and a conical fixing system, saves from cutting the sprung core to fix it
- Flat on shank provides reference and plane
- Conical lock prevents rotation and provides ease of length and adjustment
- Included Bronze guide bushing (CS) provides smooth operation

CATALOG NUMBER	A	B	D	E	F	G	P	T	Z
PL 060630	6	6.2	10	3.5	50	12	13.5	M4 X 12	3.5
PL 060830	6	8.2	10	3.5	50	12	13.5	M4 X 12	6.5
PL 081030	8	10.2	11.2	4.5	65	12	14.5	M5 X 12	7.5
PL 081230	8	12.2	11.2	4.5	65	12	14.5	M5 X 12	9.5
PL 101530	10	15.2	13.6	5.5	80	16	15.5	M6 X 12	12.5
PL 101830	10	18.2	13.6	5.5	80	16	15.5	M6 X 12	15.5



Supplied with (LF) Conical Lock.

Home of the Hardened Throughout™ Pin

