

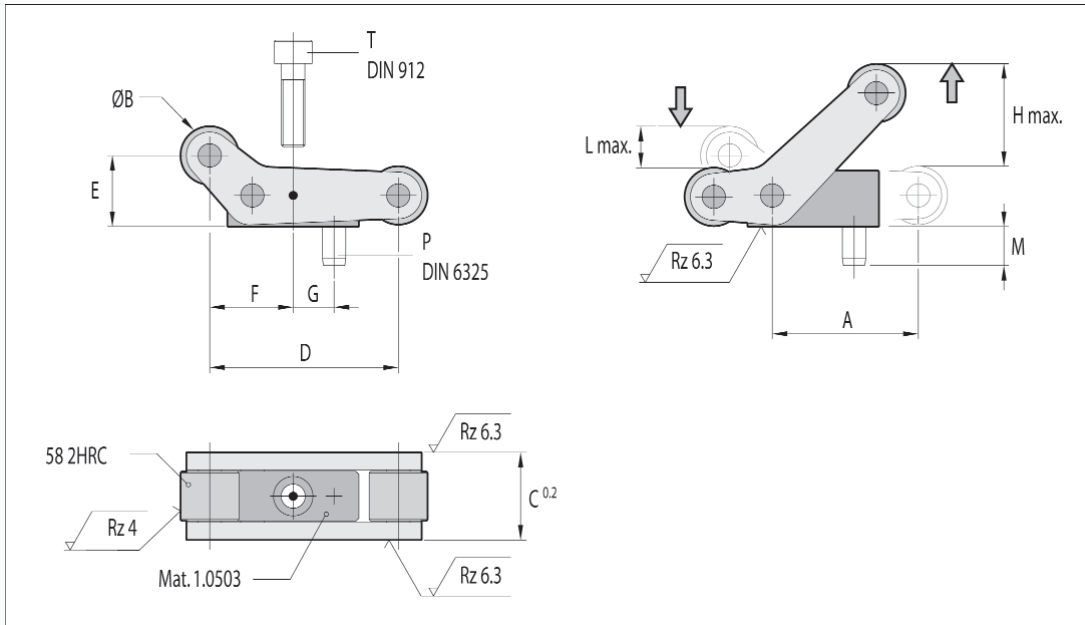
Plate Accelerator

Patented Cumsa System



Plate Accelerator

- This item allows increased movement of a 2nd ejector plate within a normal ejector stroke.



IMPORTANT: 2 units must be assembled symmetrically to ensure a balanced movement.

Catalog #	A	B	C	D	E	F	G	H max	L max	M	P	T	Max Force
EP251016	25	10	16	32.3	11.8	14.3	7	17	6.8	6	∅3x12	M4x16	125Kg
EP371522	37.5	15	22	48.5	17.7	21.5	10.5	25.5	10.2	8	∅4x16	M6x25	250Kg
EP502030	50	20	30	64.6	23.6	28.6	14	34	13.6	10	∅5x20	M8x30	500Kg

