

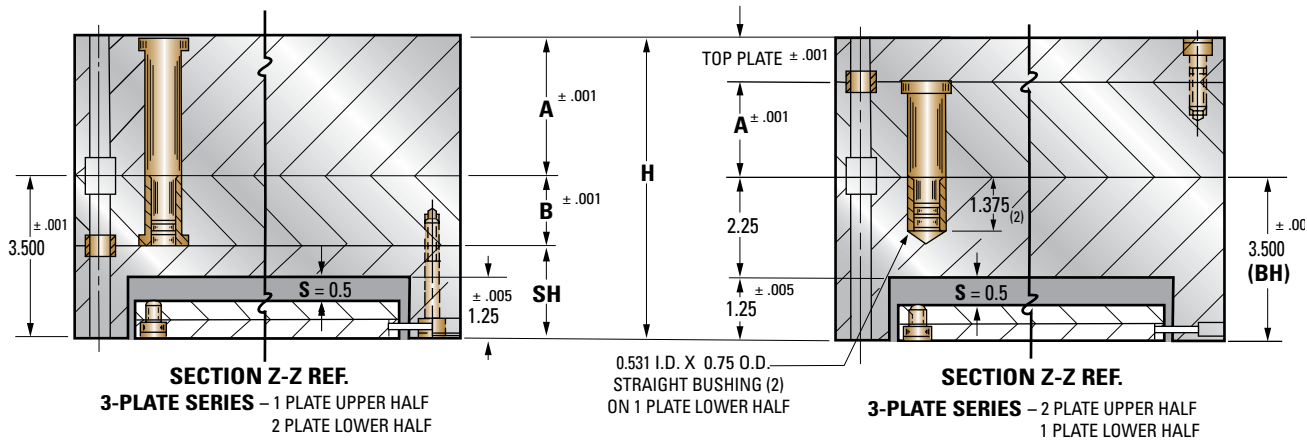
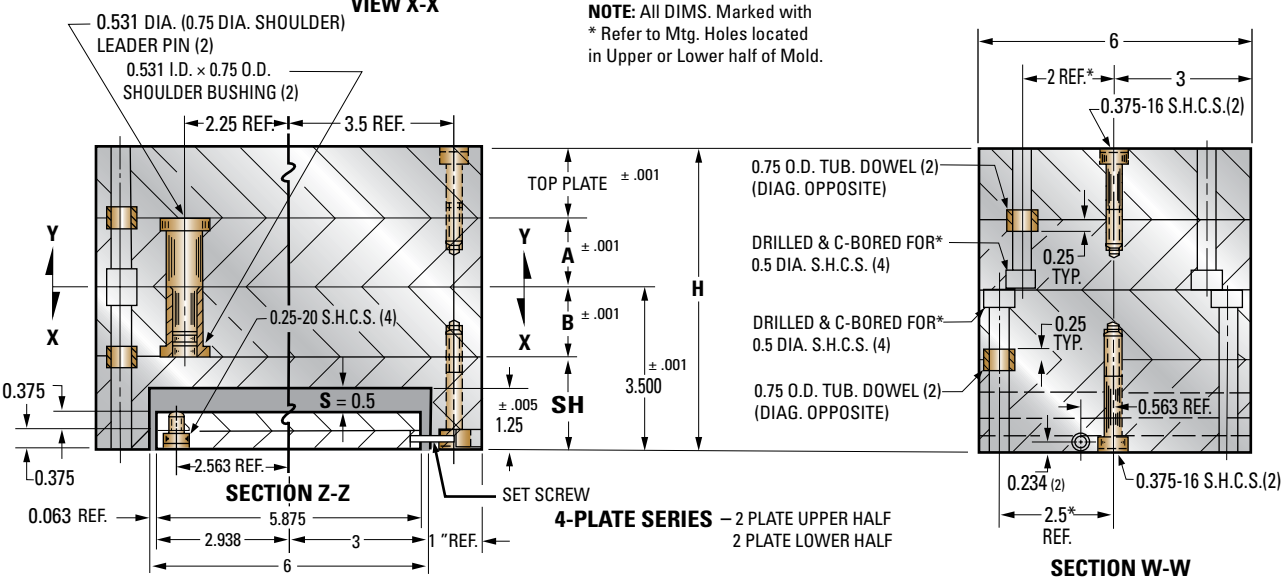
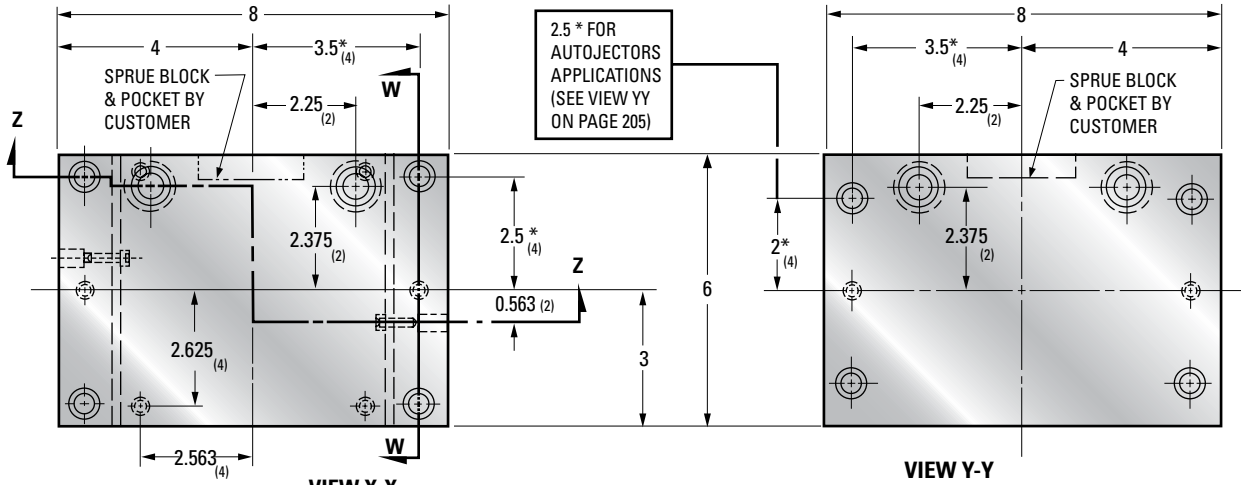
6" x 8" SH Shuttle Mold Bases - 68SH

Engineered and designed for various models of Autojectors, Moslo and Newbury vertical injection presses with shuttle tables.

EJECTOR STROKE DATA

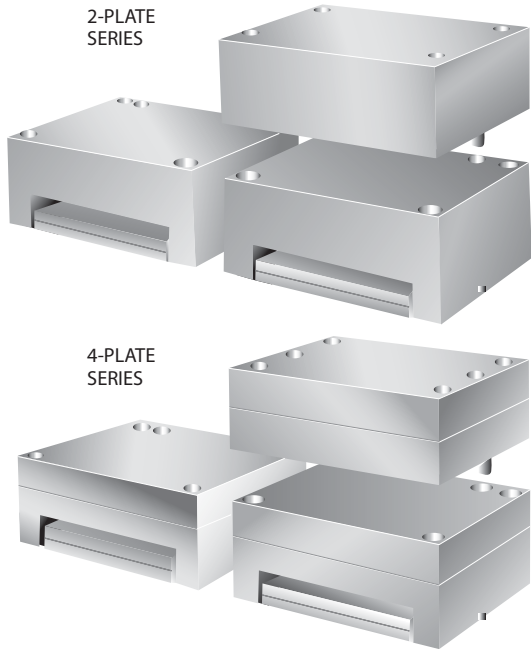
C = (Height of Riser) = 1.25

S = (Max. Stroke of Ejector Bar) = 0.5



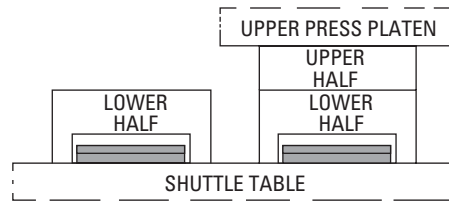
Small and Shuttle Mold Bases | 6" x 8" SH Shuttle Mold Bases

6" x 8" SH Shuttle Mold Bases – 68SH



Shuttle Mold Bases listed below are supplied complete with one upper and two lower sub-assemblies. Upper and lower sub-assemblies are pre-drilled to match platen holes of presses listed in chart. The one piece ejector housings include set screws to securely hold the ejector plates in place during installation or removal.

All plates and housings are made from D-M-E No. 3 Steel (see page 8), except for the ejector and ejector retainer plates.

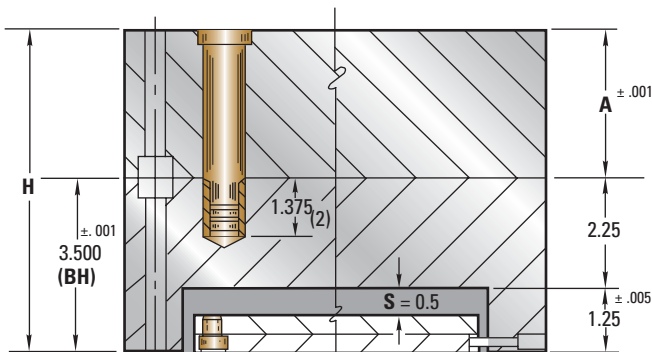


SERIES	TOP PLATE	A	B	BH	SH	H	S	FITS PRESS*	ITEM NUMBER	NET WT.	
2 PLATE	–	2.875	–	3.5	–	6.375	0.5	**AJ-M-N	68SH2-0-27-22-0	124	
3 PLATE	1	1.875	–	3.5	–	6.375	0.5	**AJ-M-N	68SH3-10-17-22-0	124	
	–	2.875	1.375	–	2.125			**AJ-M-N	68SH3-0-27-13-7	124	
4 PLATE	–	1.875	0.875	0.875	–	6.25	0.5	N	68SH4-17-7-7-13	123	
	–	1.875	0.875	1.375	–			N	68SH4-17-7-13-7	123	
	–	1.375	1.375	0.875	–			N	68SH4-13-13-7-13	123	
	–	1.375	1.375	1.375	–	2.125	6.375	0.5	N	68SH4-13-13-13-7	123
	1	1.875	0.875	–	2.625	**AJ-M-N			68SH4-10-17-7-13	124	
	1	1.875	1.375	–	2.125	**AJ-M-N			68SH4-10-17-13-7	124	
	1	2	1.375	–	2.125	AJ-N			68SH4-10-20-13-7	126	

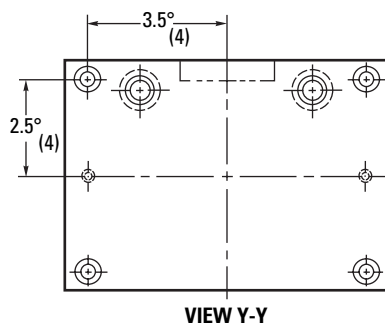
*AJ = Autojectors M = Moslo N = Newbury

NOTE: For 68SH Components, see D-M-E's Mold Components catalog.

**NOTE: Autojector applications with 6.375 H dimension require a 0.125" thick spacer for upper half (check with molder; machine may be equipped with required spacer).



SECTION Z-Z REF.
2-PLATE SERIES – 1 PLATE UPPER HALF
1 PLATE LOWER HALF



ALTERNATIVE UPPER HALF MOUNTING HOLES PROVIDED ONLY WHEN AUTOJECTORS APPLICATION IS SPECIFIED (SEE ITEM 3 BELOW).

WHEN ORDERING, PLEASE SPECIFY:

1. Quantity
2. Item Number
3. Mounting Hole Requirement: Standard or Autojectors
4. Method of Shipment