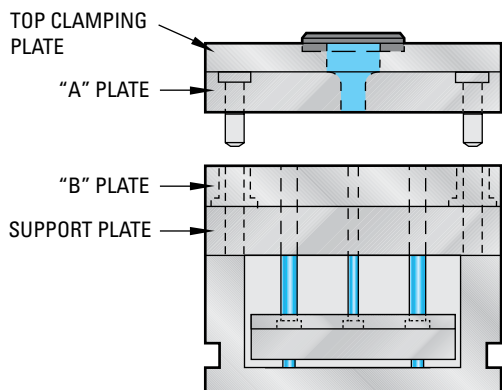
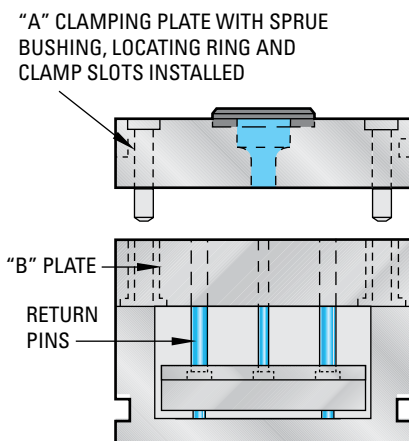


American Mold Base Standard Series Selections



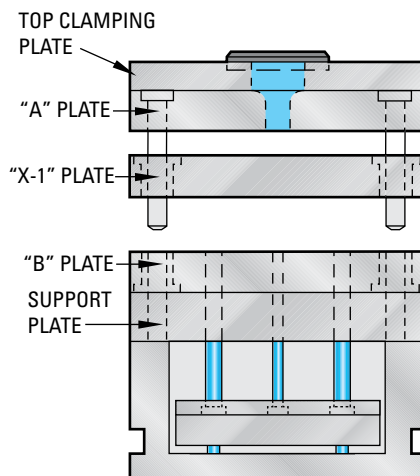
A-Series

The most frequently used Standard Assembly, the "A" Series Mold Base is available in 43 sizes from 7.875 x 7.875 to 23.75 x 35.5.



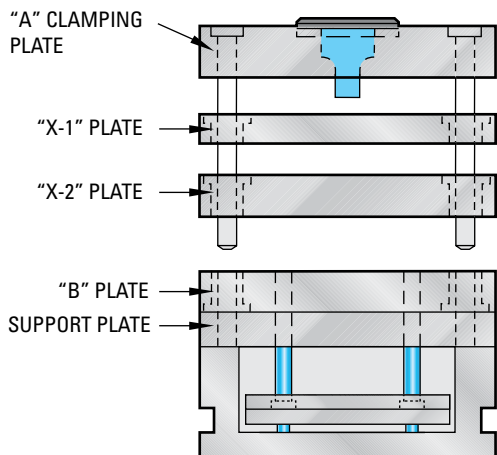
B-Series

When cavities and cores are to be inserted into blind pockets, or machined directly into the "A" and "B" plates, the "B" Series Assembly is used. The Top Clamping Plate and Support Plate are omitted from the assembly.



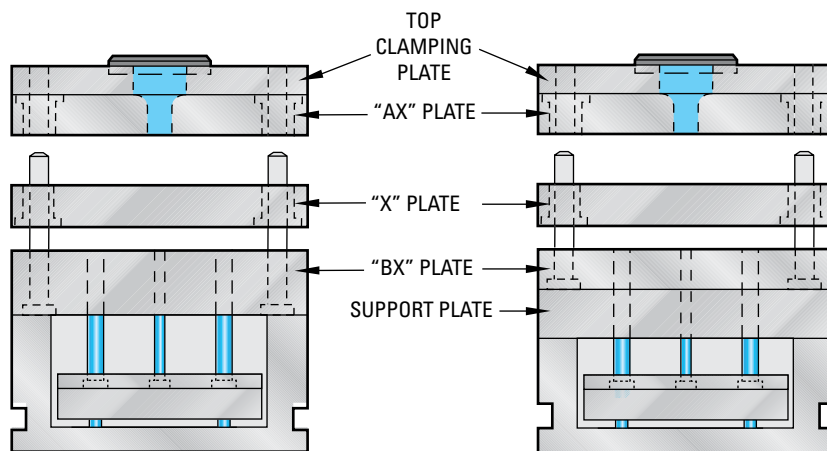
AX-Series

The "AX" Series Assembly is used when the mold requires a floating plate to remain with the upper or stationary half of the assembly. It is basically an "A" Series Assembly with a floating plate ("X-1") added.



T-Series

The "T" Series Assembly is used for top runner molds that require two floating plates ("X-1" — runner stripper plate, "X-2" — cavity plate) to remain with the upper or stationary half of the assembly.



X-Series (5 Plate)

X-Series (6 Plate)

Most frequently used for molds requiring stripper plate ejection, the "X" Series Assembly is available with a Support Plate (6-plate series) or without a Support Plate (5-plate series).

NOTE: Location and diameter of standard components are identical for all mold base series.