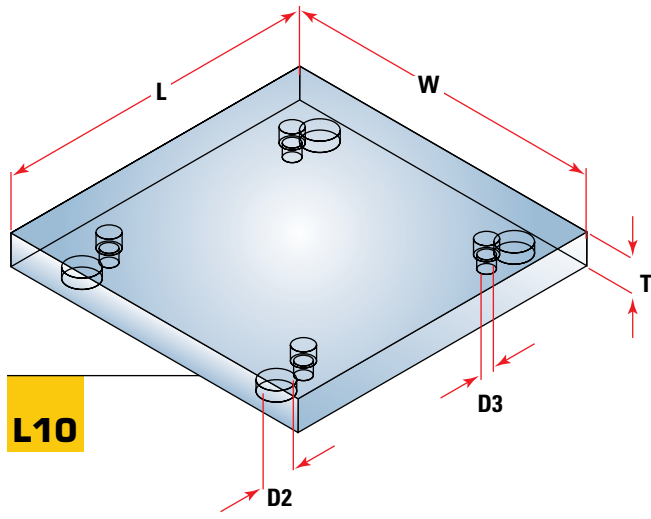
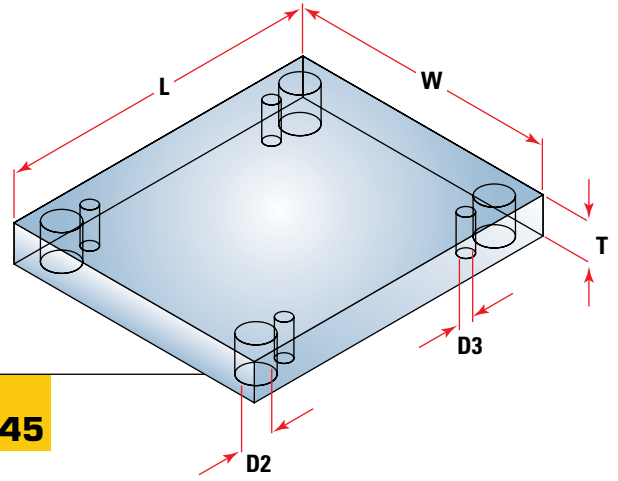


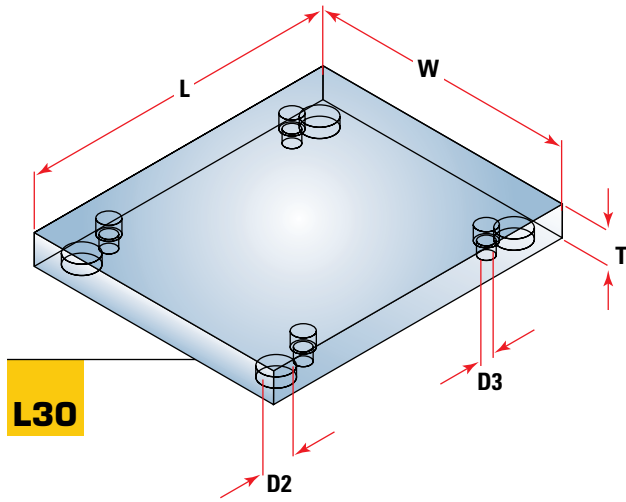
# Plate Dimensions



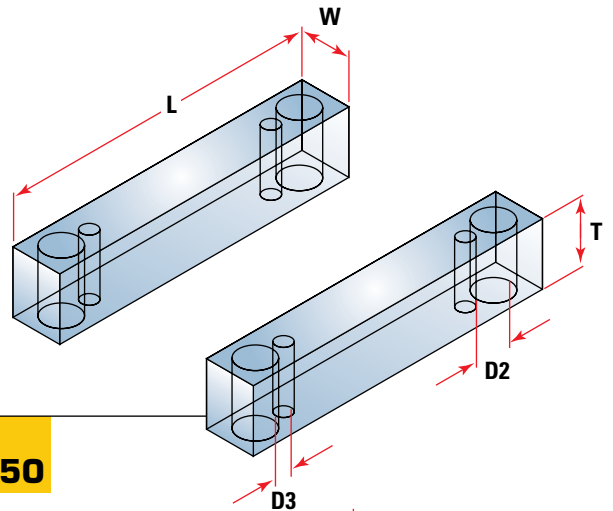
**L10**



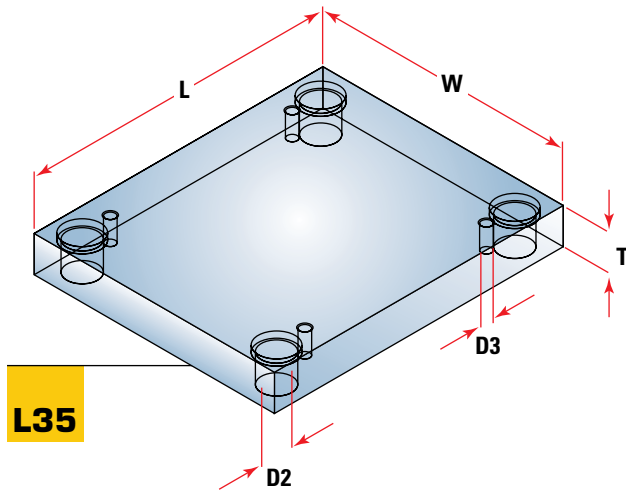
**L45**



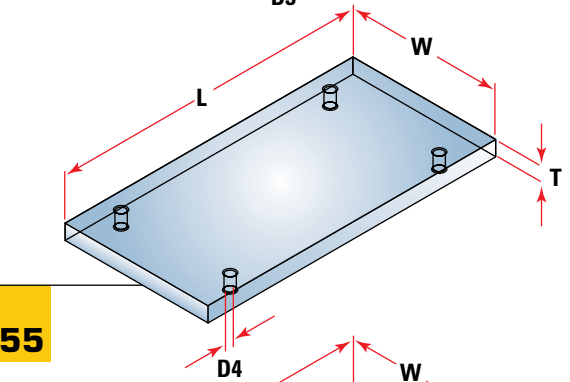
**L30**



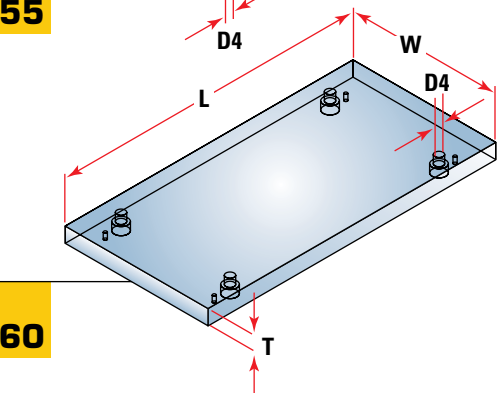
**L50**



**L35**



**L55**

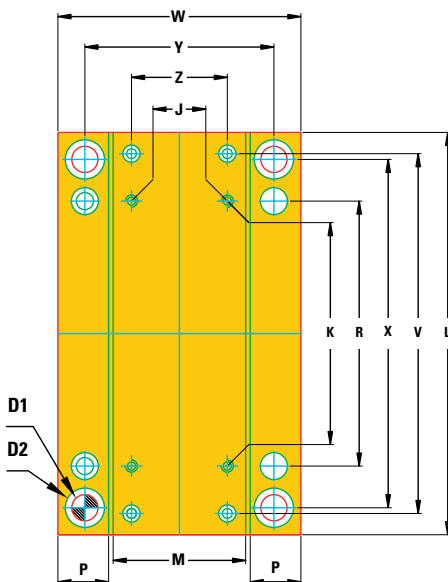
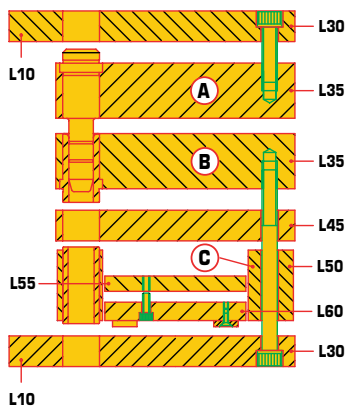


**L60**

## Plate Dimensions

Size code **2020 1925 2030 2525 2530 2535 2540 3030 3035 3040**  
 Nominal size **196 x 196 190 x 246 196 x 296 246 x 246 246 x 296 246 x 346 246 x 396 296 x 296 296 x 346 296 x 396**

|           |                              | 2020 | 1925 | 2030 | 2525 | 2530 | 2535 | 2540 | 3030 | 3035 | 3040 |
|-----------|------------------------------|------|------|------|------|------|------|------|------|------|------|
| <b>W</b>  | Width                        | 196  | 190  | 196  | 246  | 246  | 246  | 246  | 296  | 296  | 296  |
|           | L10 width (with overhang)    | 246  | 254  | 246  | 296  | 296  | 296  | 296  | 346  | 346  | 346  |
| <b>L</b>  | Length                       | 196  | 246  | 296  | 246  | 296  | 346  | 396  | 296  | 346  | 396  |
| <b>X</b>  | Length of bore centers       | 152  | 202  | 244  | 200  | 244  | 294  | 340  | 244  | 294  | 340  |
| <b>Y</b>  | Width of bore centers        | 154  | 148  | 150  | 200  | 200  | 194  | 198  | 250  | 244  | 248  |
| <b>K</b>  | Length of ER screw centers   | 132  | 182  | 230  | 180  | 230  | 286  | 330  | 230  | 286  | 330  |
| <b>R</b>  | Length of assy screw centers | 100  | 150  | 186  | 130  | 186  | 224  | 284  | 186  | 224  | 284  |
| <b>J</b>  | Width of ER screw centers    | 96   | 90   | 90   | 130  | 130  | 136  | 122  | 180  | 186  | 176  |
| <b>V</b>  | Length of RP centers         | 166  | 216  | 266  | 214  | 264  | 324  | 364  | 266  | 324  | 364  |
| <b>Z</b>  | Width of RP centers          | 96   | 90   | 90   | 130  | 130  | 136  | 122  | 180  | 186  | 176  |
| <b>P</b>  | L50 riser width              | 38   | 38   | 43   | 43   | 43   | 43   | 47   | 43   | 43   | 47   |
| <b>ER</b> | L55 ER thick                 | 12   | 12   | 12   | 12   | 12   | 17   | 17   | 12   | 17   | 17   |
| <b>EB</b> | L60 EB thick                 | 17   | 17   | 17   | 17   | 17   | 22   | 22   | 17   | 22   | 22   |
| <b>M</b>  | L55, L60, ER, EB width       | 118  | 112  | 108  | 158  | 158  | 158  | 150  | 208  | 208  | 200  |
| <b>D1</b> | Bush ID                      | 26   | 26   | 30   | 30   | 30   | 30   | 30   | 30   | 30   | 30   |
| <b>D2</b> | Bore ID                      | 31   | 31   | 35   | 35   | 35   | 35   | 35   | 35   | 35   | 35   |
| <b>D3</b> | Assy screws                  | M10  | M10  | M12  | M12  | M12  | M12  | M12  | M12  | M12  | M12  |
| <b>D4</b> | ER screws                    | M8   | M8   | M8   | M8   | M8   | M8   | M8   | M8   | M8   | M8   |



## Euro-Series Plate Tolerances

|             | mm           | L10, L55, L60 | L50       | L30, L45    | L35         |
|-------------|--------------|---------------|-----------|-------------|-------------|
| <b>W, L</b> | up to 100    | +/- 0.06      | +/- 0.06  | +/- 0.03    | +/- 0.008   |
|             | > 100 - 180  | +/- 0.08      | +/- 0.08  | +/- 0.04    | +/- 0.010   |
|             | > 180 - 315  | +/- 0.10      | +/- 0.10  | +/- 0.05    | +/- 0.012   |
|             | > 315 - 500  | +/- 0.12      | +/- 0.12  | +/- 0.05    | +/- 0.014   |
|             | > 500 - 710  | +/- 0.15      | +/- 0.15  | +/- 0.05    | +/- 0.017   |
|             | > 710 - 1000 | +/- 0.20      | +/- 0.20  | +/- 0.05    | +/- 0.020   |
| <b>T</b>    |              | +0.2 / +0.3   | 0 / +0.02 | +0.2 / +0.3 | +0.2 / +0.3 |
| <b>X, Y</b> | up to 100    | +/- 0.008     | +/- 0.008 | +/- 0.008   | +/- 0.008   |
|             | > 100 - 180  | +/- 0.010     | +/- 0.010 | +/- 0.010   | +/- 0.010   |
|             | > 180 - 315  | +/- 0.012     | +/- 0.012 | +/- 0.012   | +/- 0.012   |
|             | > 315 - 500  | +/- 0.015     | +/- 0.015 | +/- 0.015   | +/- 0.015   |
|             | > 500 - 710  | +/- 0.018     | +/- 0.018 | +/- 0.018   | +/- 0.018   |
|             | > 710 - 1000 | +/- 0.020     | +/- 0.020 | +/- 0.020   | +/- 0.020   |