

10⁷/₈" Stripper Plate Mold Bases

NO. 1 & NO. 2 STEEL ASSEMBLIES

All plates above ejector housing are No. 1 or No. 2 Steel, respectively.

NO. 3 STEEL ASSEMBLIES

"AX", "X", and "BX" plates are No. 3 Steel. Top clamping and support plates are No. 2 Steel.

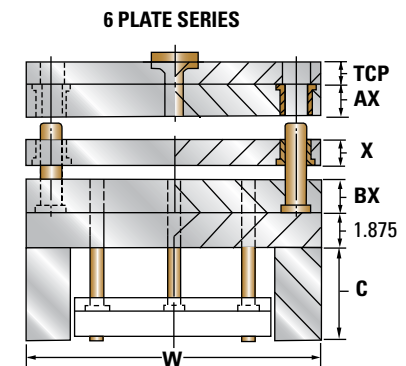
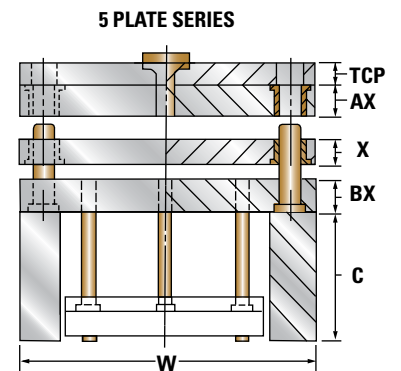
NO. 7 STEEL ASSEMBLIES

Any or all plates available as requested.

W	L	TCP	AX	C	5 PLATE BX = 1.875 X = 0.875		6 PLATE BX = 1.375 X = 0.875	
					ITEM NUMBER	NET WT.	ITEM NUMBER	NET WT.
10.875	12	0.875	0.875	2.5	1112X-5-7	262	1112X-6-7	313
			1.375	3	1112X-5-13	286	1112X-6-13	337
			1.875	3.5	1112X-5-17	310	1112X-6-17	361
			2.375	3.5	1112X-5-23	329	1112X-6-23	380
			2.875	4	1112X-5-27	353	1112X-6-27	404
			3.375	4.5	1112X-5-33	377	1112X-6-33	428
	14	0.875	0.875	2.5	1114X-5-7	306	1114X-6-7	366
			1.375	3	1114X-5-13	334	1114X-6-13	394
			1.875	3.5	1114X-5-17	362	1114X-6-17	422
			2.375	3.5	1114X-5-23	384	1114X-6-23	444
			2.875	4	1114X-5-27	412	1114X-6-27	472
			3.375	4.5	1114X-5-33	440	1114X-6-33	500
	18	0.875	0.875	2.5	1118X-5-7	393	1118X-6-7	470
			1.375	3	1118X-5-13	429	1118X-6-13	506
			1.875	3.5	1118X-5-17	466	1118X-6-17	543
			2.375	3.5	1118X-5-23	493	1118X-6-23	570
			2.875	4	1118X-5-27	530	1118X-6-27	607
			3.375	4.5	1118X-5-33	566	1118X-6-33	643
	23.5	0.875	0.875	2.5	1123X-5-7	513	1123X-6-7	613
			1.375	3	1123X-5-13	560	1123X-6-13	660
			1.875	3.5	1123X-5-17	608	1123X-6-17	708
			2.375	3.5	1123X-5-23	644	1123X-6-23	744
			2.875	4	1123X-5-27	691	1123X-6-27	791
			3.375	4.5	1123X-5-33	739	1123X-6-33	839

NOTE: Mold bases listed above may be ordered with "X", "AX", and "BX" plate thicknesses other than those shown in chart. Prices on request.

Refer to corresponding size "A" Series Mold Base for detail dimensions



WHEN ORDERING, PLEASE SPECIFY:

- Quantity & Item Number
- No. 1, No. 2, No. 3, or No. 7 Steel
- Locating Ring Item Number
- E, O and R Dimensions
- Method of Shipment
- 1.375 Top Clamping Plate if desired