

# AX-Series Mold Bases

## NO. 1 OR NO. 2 STEEL ASSEMBLIES

All plates above ejector housing are No. 1 or No. 2 Steel, respectively.

## NO. 3 STEEL ASSEMBLIES

"A", "X-1", and "B" plates are No. 3 Steel.

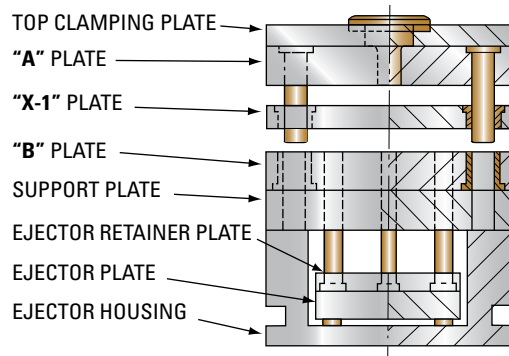
Top clamping and support plates are No. 2 Steel.

## NO. 7 STEEL ASSEMBLIES

Any or all plates available as requested.



"AX" Series Assembly



MOLD BASE SIZE WIDTH (W)	TOP CLAMPING PLATE THICKNESS
<b>7.875 to 11.875</b>	<b>0.875</b>
<b>13.375 to 23.75</b>	<b>1.375</b>

### "X-1" PLATE THICKNESSES AVAILABLE:

**0.875, 1.375, 1.875, 2.375, 2.875, 3.375, 4.875, 5.875**

A D-M-E Standard "AX" Series Mold Base is basically an "A" series type mold base with a floating plate ("X-1" plate) added between the "A" and "B" Plates. This type assembly is used where it is desirable to have the floating plate remain with the upper half of the assembly.

### INSTRUCTIONS FOR ORDERING:

When ordering "AX" Series Mold Bases, refer to the corresponding size "A" Series Mold Base for detailed dimensions.

To create a Item number, add an "X" after the "A" in Item number of corresponding size A-Series mold base, and follow with thickness of the (1) A-Plate, (2) X-1 Plate and (3) B-Plate.

**Example:** 1012AX-13-17-23

STANDARD MOLD BASE SIZE		ITEM NUMBER PREFIX
W	L	
<b>7.875</b>	7.875	88AX
	11.875	812AX
<b>9.875</b>	8	108AX
	11.875	1012AX
	16	1016AX
	20	1020AX
	23.5	1123AX
<b>10.875</b>	12	1112AX
	14	1114AX
	18	1118AX
	23.5	1123AX
<b>11.875</b>	12	1212AX
	15	1215AX
	20	1220AX
	23.5	1223AX
	29.5	1329AX
<b>13.375</b>	15	1315AX
	18	1318AX
	20.75	1321AX
	23.5	1323AX
	26	1326AX
<b>14.875</b>	17.875	1518AX
	23.75	1524AX
	29.5	1529AX

STANDARD MOLD BASE SIZE		ITEM NUMBER PREFIX
W	L	
<b>15.875</b>	16	1616AX
	20	1620AX
	23.5	1623AX
	26	1626AX
	29.5	1629AX
<b>16.5</b>	35.5	1635AX
	23.75	1724AX
	29.5	1729AX
<b>17.875</b>	18	1818AX
	20	1820AX
	23.5	1823AX
	26	1826AX
	29.5	1829AX
<b>19.5</b>	35.5	1835AX
	23.75	1924AX
	29.5	1929AX
<b>23.75</b>	35.5	1935AX
	23.75	2424AX
	29.5	2429AX
	35.5	2435AX

### WHEN ORDERING, PLEASE SPECIFY:

- Quantity & Item Number
- No. 1, No. 2, No. 3, or No. 7 Steel
- X-1 Plate Thickness
- Locating Ring Item Number
- E, O and R Dimensions
- Method of Shipment
- 1.375 Top Clamping Plate if desired