

D-M-E MoldBasics™ Mold Bases

The economical
alternative

MoldBasics

MoldBasics™

Low Cost

Simple Construction

Broad Range of Sizes

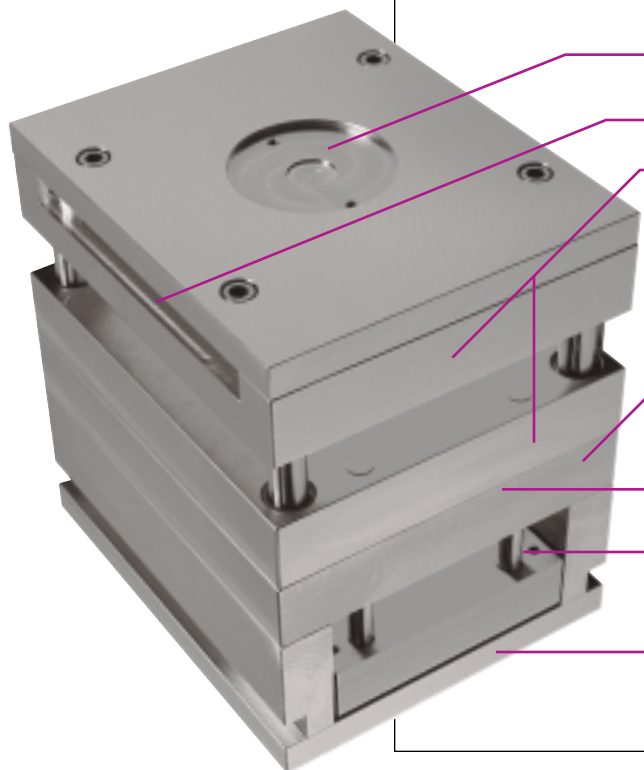
Immediate Availability

D-M-E's new MoldBasics™ line of mold bases is ideal for a variety of applications, including prototype molding and short-runs. Any project that requires a mold base with fewer standard features and a dramatically lower cost is perfect for the MoldBasics series. With MoldBasics, you'll have the flexibility to perform more value-added work and reduce the mold base cost significantly.

Because it's from D-M-E, you can count on the MoldBasics series to deliver reliable, trouble-free performance. And our knowledgeable customer service representatives can help you select the mold base that's just right for your application.

The MoldBasics series mold bases ship the day your order is received — to help you meet critical deadlines. Like all D-M-E products, your satisfaction is guaranteed with all MoldBasics series mold bases.

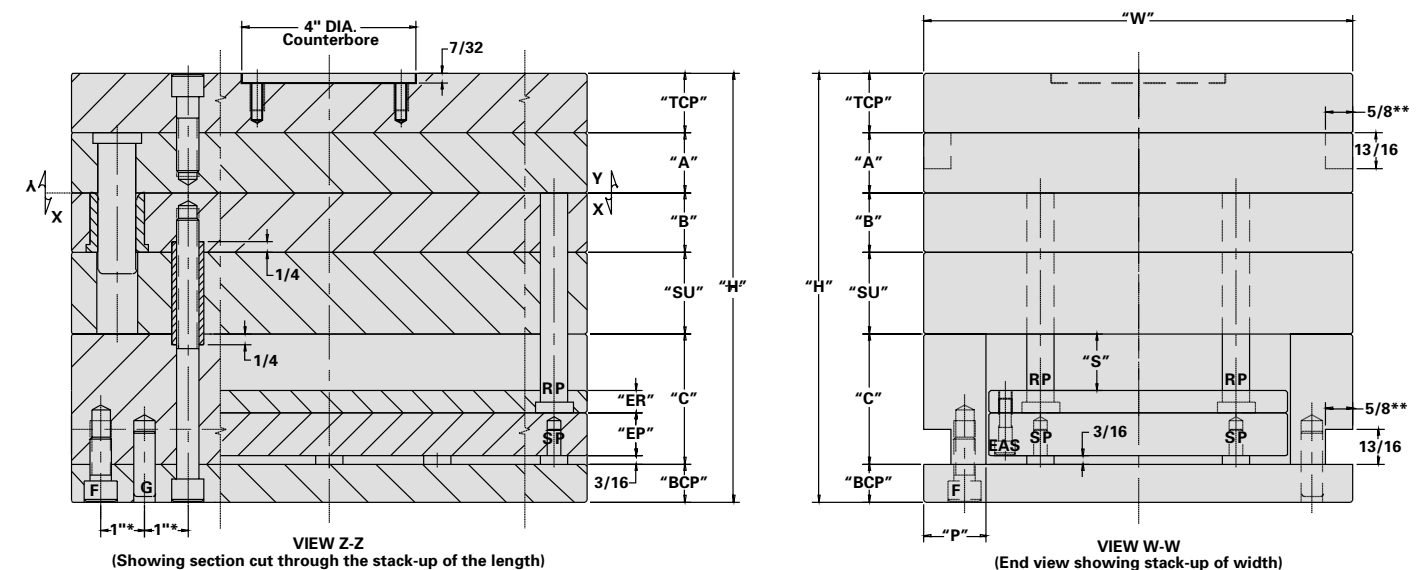
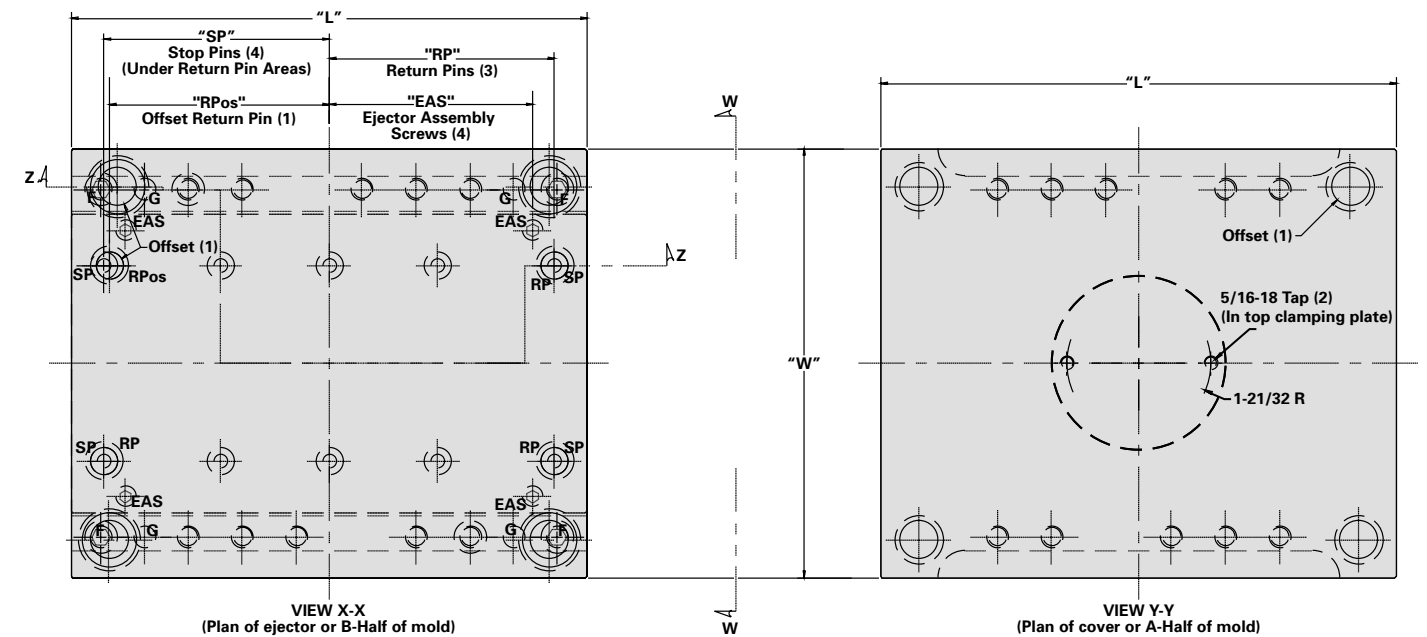
Features



- Machining for locating ring and screws**
- Standard Type "A" Clamp Slot**
- A and B Plates**
 - #1 or #2 Steel
 - Square Milled
 - Surface Ground Parting Line
- Offset corner clearly marked on all plates**
- Support Plate**
 - Tubular Dowel Construction
- All Plates chamfered on edges**
- Return Pins**
 - Positioned to prevent "spring breakout"
- Ejector Housing**
 - 3-Piece Solid Dowel Construction

The D-M-E MoldBasics series is available in-stock in a range of popular sizes. This stocking program ensures rapid delivery.

To simplify ordering, this brochure provides key MoldBasics dimensions in nominal sizes from 7.875" x 7.875" up to 15.875" x 23.500". The drawings below provide specific definition of the variables referenced in the product dimension tables. Standard features of the MoldBasics series are also illustrated below.



* For all 9.875 x 8.000 mold bases, dimension is 3/4"
 ** For all 7.875 x 7.875 and 7.875 x 11.875 mold bases, dimension is 1/2"

D-M-E MoldBasics mold bases are available in a wide range of sizes. To meet the needs of a variety of applications, all sizes are available in both #1 and #2 steel.

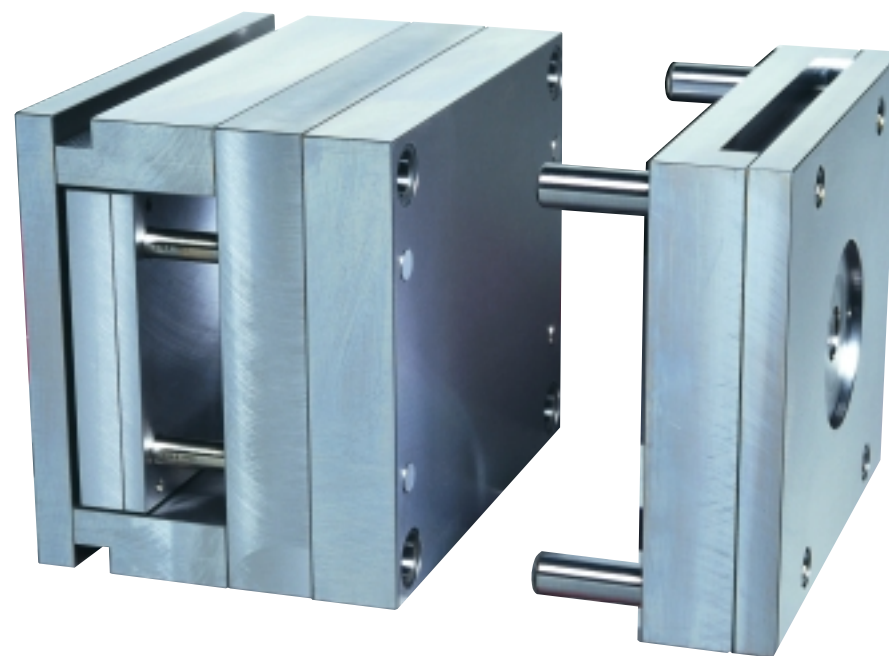
No.1 Steel

D-M-E MoldBasics #1 steel is a medium-carbon (AISI 1045), silicon-killed forging quality steel with approximately 25% greater tensile strength than typical low-carbon warehouse steels. It machines easily, but isn't "sticky," permitting a faster and smoother cut.

No.2 Steel

D-M-E MoldBasics #2 steel is an AISI 4140-type steel. It is supplied pre-heat-treated to 28-34 Rc (269-321 Bhn). A high-strength steel, it is ideal for cavity and core retainer plates, clamping plates, and support plates in molds and dies.

Thickness of					
A Plate	07	13	17	23	27
B Plate	07	13	17	23	27
0808	◆	◆	◆	◆	
0812	◆	◆	◆	◆	
1008	◆	◆	◆	◆	
1012	◆	◆	◆	◆	
1016	◆	◆	◆	◆	
1020		◆	◆	◆	
1112		◆	◆	◆	
1114		◆	◆	◆	
1118		◆	◆	◆	
1212		◆	◆	◆	◆
1215		◆	◆	◆	◆
1220		◆	◆	◆	◆
1315		◆	◆	◆	◆
1318		◆	◆	◆	◆
1321			◆	◆	◆
1323			◆	◆	◆
1518			◆	◆	◆
1524			◆	◆	◆
1616				◆	◆
1620				◆	◆
1623				◆	◆



Item Numbering

MBA 9999 - 99 - 99 - 9

Prefix

MBA — "MB" for MoldBasics, "A" for A Series

Nominal Size

Four numbers for nominal size. No space after prefix. Note that single-digit nominal sizes begin with a zero (e.g. "0808" for 8" x 8")

"A" Plate Thickness

Two numbers for plate thickness. Note that single-digit thicknesses begin with a zero (e.g. "07" for 7/8")

"B" Plate Thickness

Two numbers for plate thickness. Note that single-digit thicknesses begin with a zero (e.g. "07" for 7/8")

Steel Type

"1" for D-M-E MoldBasics #1 Steel, "2" for D-M-E MoldBasics #2 Steel

Examples

MBA1008-07-07-2

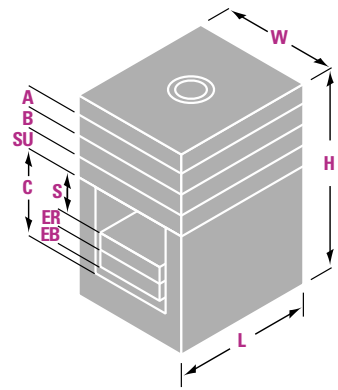
9.875" x 8.000" mold base with 0.875" A plate and 0.875" B plate of #2 steel.

MBA0808-17-17-1

7.875" x 7.875" mold base with 1.875" A plate and 1.875" B plate of #1 steel.

MBA1623-27-27-2

15.875" x 23.500" mold base with 2.875" A plate and 2.875" B plate of #2 steel.



Variables

Below is a list of the variables for the MoldBasics series mold bases and their definitions

- W** = Width
- L** = Length
- CP** = Top clamp plate thickness
- A** = A plate thickness
- B** = B plate thickness
- SU** = Support plate thickness
- C** = Height of the riser
- S** = Maximum stroke of the ejector bar
- H** = Mold base height
- EB** = Ejector bar thickness
- ER** = Ejector retainer thickness
- P** = Housing riser thickness
- RPx** = Return pin location on the X axis (3 places)
- RPy** = Return pin location on the Y axis (4 places)
- RPos** = Return pin offset on the X axis (1 place)
- RPg** = Return pin diameter
- LPg** = Leader pin diameter

7.875 x 7.875

Item Number	W	L	A	B	C	S	H	Weight (lbs)
MBA0808-07-07	7.875	7.875	0.875	0.875	2.500	0.813	7.375	111
MBA0808-13-13	7.875	7.875	1.375	1.375	2.500	0.813	8.375	129
MBA0808-17-17	7.875	7.875	1.875	1.875	2.500	0.813	9.375	147
MBA0808-23-23	7.875	7.875	2.375	2.375	3.000	1.313	10.875	167

All Items	W	EB	P	TCP	RPx	RPg
	7.875	1.000	1.250	0.875	3.313	0.500
	L	ER	SU	RPos	RPy	LPg
	7.875	0.500	1.375	3.188	1.500	0.750

7.875 x 11.875

Item Number	W	L	A	B	C	S	H	Weight (lbs)
MBA0812-07-07	7.875	11.875	0.875	0.875	2.500	0.813	7.875	174
MBA0812-13-13	7.875	11.875	1.375	1.375	3.000	1.313	8.875	205
MBA0812-17-17	7.875	11.875	1.875	1.875	3.500	1.813	10.375	235
MBA0812-23-23	7.875	11.875	2.375	2.375	3.500	1.813	11.375	262

All Items	W	EB	P	TCP	RPx	RPg
	7.875	1.000	1.250	0.875	5.313	0.500
	L	ER	SU	RPos	RPy	LPg
	11.875	0.500	1.375	5.188	1.500	0.750

9.875 x 8.000

Item Number	W	L	A	B	C	S	H	Weight (lbs)
MBA1008-07-07	9.875	8.000	0.875	0.875	2.500	0.813	7.875	158
MBA1008-13-13	9.875	8.000	1.375	1.375	2.500	0.813	8.875	181
MBA1008-17-17	9.875	8.000	1.875	1.875	3.500	1.813	10.875	209
MBA1008-23-23	9.875	8.000	2.375	2.375	3.500	1.813	11.875	232

All Items	W	EB	P	TCP	RPx	RPg
	9.875	1.000	1.438	0.875	3.250	0.625
	L	ER	SU	RPos	RPy	LPg
	8.000	0.500	1.875	3.125	2.250	0.750

9.875 x 11.875

Item Number	W	L	A	B	C	S	H	Weight (lbs)
MBA1012-07-07	9.875	11.875	0.875	0.875	2.500	0.813	7.875	235
MBA1012-13-13	9.875	11.875	1.375	1.375	3.000	1.313	9.375	273
MBA1012-17-17	9.875	11.875	1.875	1.875	3.500	1.813	10.875	311
MBA1012-23-23	9.875	11.875	2.375	2.375	3.500	1.813	11.875	344

All Items	W	EB	P	TCP	RPx	RPg
	9.875	1.000	1.438	0.875	5.188	0.625
	L	ER	SU	RPos	RPy	LPg
	11.875	0.500	1.875	5.063	2.250	0.875

9.875 x 16.000

Item Number	W	L	A	B	C	S	H	Weight (lbs)
MBA1016-07-07	9.875	16.000	0.875	0.875	2.500	0.813	7.875	316
MBA1016-13-13	9.875	16.000	1.375	1.375	3.000	1.313	9.375	367
MBA1016-17-17	9.875	16.000	1.875	1.875	3.500	1.813	10.875	418
MBA1016-23-23	9.875	16.000	2.375	2.375	3.500	1.813	11.875	463

All Items	W	EB	P	TCP	RPx	RPg
	9.875	1.000	1.438	0.875	7.250	0.625
	L	ER	SU	RPos	RPy	LPg
	16.000	0.500	1.875	7.125	2.250	0.875

9.875 x 20.000

Item Number	W	L	A	B	C	S	H	Weight (lbs)
MBA1020-13-13	9.875	20.000	1.375	1.375	3.000	1.313	9.375	459
MBA1020-17-17	9.875	20.000	1.875	1.875	3.500	1.813	10.875	523
MBA1020-23-23	9.875	20.000	2.375	2.375	3.500	1.813	11.875	579

All Items	W	EB	P	TCP	RPx	RPg
	9.875	1.000	1.438	0.875	9.250	0.625
	L	ER	SU	RPos	RPy	LPg
	20.000	0.500	1.875	9.125	2.250	0.875

10.875 x 12.000

Item Number	W	L	A	B	C	S	H	Weight (lbs)
MBA1112-13-13	10.875	12.000	1.375	1.375	3.000	1.313	9.375	305
MBA1112-17-17	10.875	12.000	1.875	1.875	3.500	1.813	10.875	347
MBA1112-23-23	10.875	12.000	2.375	2.375	3.500	1.813	11.875	384

All Items	W	EB	P	TCP	RPx	RPg
	10.875	1.000	1.688	0.875	5.250	0.625
	L	ER	SU	RPos	RPy	LPg
	12.000	0.500	1.875	5.125	2.813	.875

10.875 x 14.000

Item Number	W	L	A	B	C	S	H	Weight (lbs)
MBA1114-13-13	10.875	14.000	1.375	1.375	3.000	1.313	9.375	355
MBA1114-17-17	10.875	14.000	1.875	1.875	3.500	1.813	10.875	405
MBA1114-23-23	10.875	14.000	2.375	2.375	3.500	1.813	11.875	448

All Items	W	EB	P	TCP	RPx	RPg
	10.875	1.000	1.688	0.875	6.250	0.625
	L	ER	SU	RPos	RPy	LPg
	14.000	0.500	1.875	6.125	2.813	.875

10.875 x 18.000

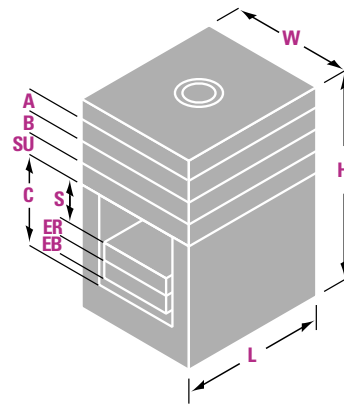
Item Number	W	L	A	B	C	S	H	Weight (lbs)
MBA1118-13-13	10.875	18.000	1.375	1.375	3.000	1.313	9.375	457
MBA1118-17-17	10.875	18.000	1.875	1.875	3.500	1.813	10.875	521
MBA1118-23-23	10.875	18.000	2.375	2.375	3.500	1.813	11.875	576

All Items	W	EB	P	TCP	RPx	RPg
	10.875	1.000	1.688	0.875	8.250	0.625
	L	ER	SU	RPos	RPy	LPg
	18.000	0.500	1.875	8.125	2.813	.875

11.875 x 12.000

Item Number	W	L	A	B	C	S	H	Weight (lbs)
MBA1212-13-13	11.875	12.000	1.375	1.375	3.000	1.188	9.375	335
MBA1212-17-17	11.875	12.000	1.875	1.875	3.000	1.188	10.375	375
MBA1212-23-23	11.875	12.000	2.375	2.375	3.500	1.688	11.875	422
MBA1212-27-27	11.875	12.000	2.875	2.875	4.000	2.188	13.375	468

All Items	W	EB	P	TCP	RPx	RPg
	11.875	1.125	1.688	0.875	5.125	0.750
	L	ER	SU	RPos	RPy	LPg
	12.000	0.500	1.875	5.000	3.188	1.000



Variables

Below is a list of the variables for the MoldBasics series mold bases and their definitions

- W** = Width
- L** = Length
- CP** = Top clamp plate thickness
- A** = A plate thickness
- B** = B plate thickness
- SU** = Support plate thickness
- C** = Height of the riser
- S** = Maximum stroke of the ejector bar
- H** = Mold base height
- EB** = Ejector bar thickness
- ER** = Ejector retainer thickness
- P** = Housing riser thickness
- RPx** = Return pin location on the X axis (3 places)
- RPy** = Return pin location on the Y axis (4 places)
- RPos** = Return pin offset on the X axis (1 place)
- RPg** = Return pin diameter
- LPg** = Leader pin diameter

11.875 x 15.000

Item Number	W	L	A	B	C	S	H	Weight (lbs)
MBA1215-13-13	11.875	15.000	1.375	1.375	3.000	1.188	9.375	419
MBA1215-17-17	11.875	15.000	1.875	1.875	3.000	1.188	10.375	469
MBA1215-23-23	11.875	15.000	2.375	2.375	3.500	1.688	11.875	527
MBA1215-27-27	11.875	15.000	2.875	2.875	4.000	2.188	13.375	584

All Items	W	EB	P	TCP	RPx	RPg
	11.875	1.125	1.688	0.875	6.625	0.750
	L	ER	SU	RPos	RPy	LPg
	15.000	0.500	1.875	6.500	3.188	1.000

11.875 x 20.000

Item Number	W	L	A	B	C	S	H	Weight (lbs)
MBA1220-13-13	11.875	20.000	1.375	1.375	3.000	1.188	9.375	558
MBA1220-17-17	11.875	20.000	1.875	1.875	3.000	1.188	10.375	625
MBA1220-23-23	11.875	20.000	2.375	2.375	3.500	1.688	11.875	702
MBA1220-27-27	11.875	20.000	2.875	2.875	4.000	2.188	13.375	779

All Items	W	EB	P	TCP	RPx	RPg
	11.875	1.125	1.688	0.875	9.125	0.750
	L	ER	SU	RPos	RPy	LPg
	20.000	0.500	1.875	9.000	3.188	1.000

13.375 x 15.000

Item Number	W	L	A	B	C	S	H	Weight (lbs)
MBA1315-13-13	13.375	15.000	1.375	1.375	3.000	1.063	9.875	505
MBA1315-17-17	13.375	15.000	1.875	1.875	3.000	1.063	10.875	562
MBA1315-23-23	13.375	15.000	2.375	2.375	3.500	1.563	12.375	627
MBA1315-27-27	13.375	15.000	2.875	2.875	4.000	2.063	13.875	692

All Items	W	EB	P	TCP	RPx	RPg
	13.375	1.125	1.875	1.375	6.625	0.750
	L	ER	SU	RPos	RPy	LPg
	15.000	0.625	1.875	6.500	3.813	1.000

13.375 x 18.000

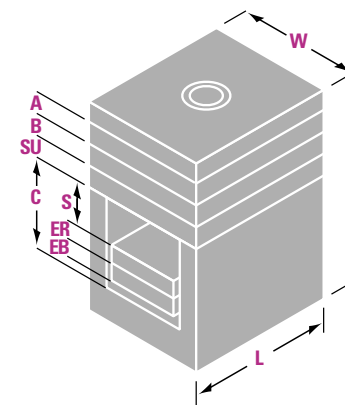
Item Number	W	L	A	B	C	S	H	Weight (lbs)
MBA1318-13-13	13.375	18.000	1.375	1.375	3.000	1.063	9.875	606
MBA1318-17-17	13.375	18.000	1.875	1.875	3.000	1.063	10.875	675
MBA1318-23-23	13.375	18.000	2.375	2.375	3.500	1.563	12.375	752
MBA1318-27-27	13.375	18.000	2.875	2.875	4.000	2.063	13.875	830

All Items	W	EB	P	TCP	RPx	RPg
	13.375	1.125	1.875	1.375	8.125	0.750
	L	ER	SU	RPos	RPy	LPg
	18.000	0.625	1.875	8.000	3.813	1.000

13.375 x 20.750

Item Number	W	L	A	B	C	S	H	Weight (lbs)
MBA1321-17-17	13.375	20.750	1.875	1.875	3.000	1.063	10.875	777
MBA1321-23-23	13.375	20.750	2.375	2.375	3.500	1.563	12.375	867
MBA1321-27-27	13.375	20.750	2.875	2.875	4.000	2.063	13.875	957

All Items	W	EB	P	TCP	RPx	RPg
	13.375	1.125	1.875	1.375	9.500	0.750
	L	ER	SU	RPos	RPy	LPg
	20.750	0.625	1.875	9.375	3.813	1.000



13.375 x 23.500

Item Number	W	L	A	B	C	S	H	Weight (lbs)
MBA1323-17-17	13.375	23.500	1.875	1.875	3.000	1.063	10.875	881
MBA1323-23-23	13.375	23.500	2.375	2.375	3.500	1.563	12.375	982
MBA1323-27-27	13.375	23.500	2.875	2.875	4.000	2.063	13.875	1084

All Items	W	EB	P	TCP	RPx	RPg
	13.375	1.125	1.875	1.375	10.875	0.750
	L	ER	SU	RPos	RPy	LPg
	23.500	0.625	1.875	10.750	3.813	1.000

14.875 x 17.875

Item Number	W	L	A	B	C	S	H	Weight (lbs)
MBA1518-17-17	14.875	17.875	1.875	1.875	3.500	1.563	11.875	790
MBA1518-23-23	14.875	17.875	2.375	2.375	3.500	1.563	12.875	865
MBA1518-27-27	14.875	17.875	2.875	2.875	4.000	2.063	14.375	950

All Items	W	EB	P	TCP	RPx	RPg
	14.875	1.125	1.875	1.375	8.063	0.750
	L	ER	SU	RPos	RPy	LPg
	17.875	0.625	2.375	7.938	3.875	1.250

14.875 x 23.750

Item Number	W	L	A	B	C	S	H	Weight (lbs)
MBA1524-17-17	14.875	23.750	1.875	1.875	3.500	1.563	11.875	1050
MBA1524-23-23	14.875	23.750	2.375	2.375	3.500	1.563	12.875	1150
MBA1524-27-27	14.875	23.750	2.875	2.875	4.000	2.063	14.375	1262

All Items	W	EB	P	TCP	RPx	RPg
	14.875	1.125	1.875	1.375	11.000	0.750
	L	ER	SU	RPos	RPy	LPg
	23.750	0.625	2.375	10.875	3.875	1.250

15.875 x 16.000

Item Number	W	L	A	B	C	S	H	Weight (lbs)
MBA1616-23-23	15.875	16.000	2.375	2.375	3.500	1.563	12.875	825
MBA1616-27-27	15.875	16.000	2.875	2.875	4.000	2.063	14.375	906

All Items	W	EB	P	TCP	RPx	RPg
	15.875	1.125	1.875	1.375	7.125	0.750
	L	ER	SU	RPos	RPy	LPg
	16.000	0.625	2.375	7.000	4.375	1.250

15.875 x 20.000

Item Number	W	L	A	B	C	S	H	Weight (lbs)
MBA1620-23-23	15.875	20.000	2.375	2.375	3.500	1.563	12.875	1031
MBA1620-27-27	15.875	20.000	2.875	2.875	4.000	2.063	14.375	1132

All Items	W	EB	P	TCP	RPx	RPg
	15.875	1.125	1.875	1.375	9.125	0.750
	L	ER	SU	RPos	RPy	LPg
	20.000	0.625	2.375	9.000	4.375	1.250

15.875 x 23.500

Item Number	W	L	A	B	C	S	H	Weight (lbs)
MBA1623-23-23	15.875	23.500	2.375	2.375	3.500	1.563	12.875	1212
MBA1623-27-27	15.875	23.500	2.875	2.875	4.000	2.063	14.375	1330

All Items	W	EB	P	TCP	RPx	RPg
	15.875	1.125	1.875	1.375	10.875	0.750
	L	ER	SU	RPos	RPy	LPg
	23.500	0.625	2.375	10.750	4.375	1.250

Polimold, of São Bernardo do Campo, Brazil, has been a D-M-E partner since 1975. Founded in 1971, Polimold is Latin America's largest manufacturer of mold bases — they also produce and market other plastics and die casting tooling components.

Utilizing the latest technology, Polimold manufactures to the highest standards for over 7,000 active customers throughout Latin America.



A better way to make tools

In 1942, Ted Quarnstrom recognized the tremendous labor investment required to manufacture molds in non-standard sizes. He created a new company, D-M-E, to provide mold bases in standard sizes, ready for machining of the cavity — freeing the skilled moldmaker to practice his craft more efficiently. Today, D-M-E still delivers innovative products to make its customers more productive.



A responsive partner

Customer service is the heart of the D-M-E equation — make innovative products, provide rapid and knowledgeable support, and sell for a competitive price. D-M-E customer service personnel receive regular training on new products and new methods, so we can help solve your most challenging problems quickly and cost-effectively. And, D-M-E manufacturing and distribution facilities are located around the globe to go where customers need support.

A full line of resources

From D-M-E's inception, our emphasis has been on becoming the industry's premier resource for molding and moldmaking productivity. Whether it's D-M-E's broad range of mold bases, including the new low-cost MoldBasics series, or high-cavitation hot runner systems like the Galaxy™ line, D-M-E delivers with innovation. D-M-E products include:

Mold bases

- D-M-E Selectbase, standard, custom machined, and MoldBasics

Mold components

- ejector pins and sleeves, mold action devices, and other components

Moldmaking equipment and supplies

- cutting tools, polishing equipment, and repair welders

Hot runner systems and components

- from turnkey hot halves to individual nozzles

A focus on the future

The plastics industry faces new challenges — cost-out programs, shorter development cycles, innovative new materials and processes. And D-M-E is right there with you to provide innovative products and knowledgeable support.

To learn more about the full line of D-M-E solutions, contact your D-M-E representative today, or call 800-626-6653.

