

Support Pillars



Support Pillars greatly increase the capacity of the mold to support the projected area of the cavities, runner and sprue. By providing additional support, they prevent deflection of the mold. Support Pillars are universally adaptable for cap screw, threaded locating pin, or socket set screw application.

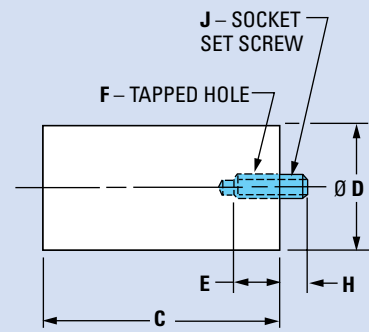
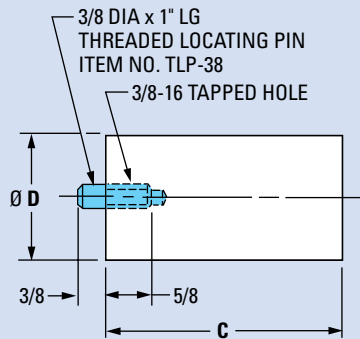
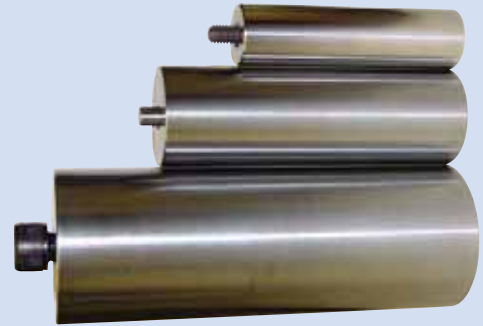
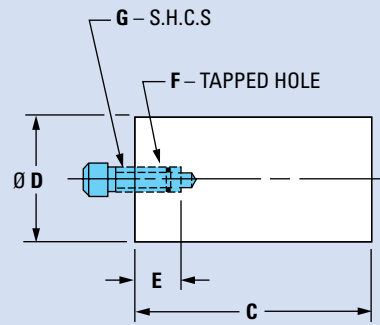
FOR QUOTING OR ORDERING, SPECIFY:

Support Pillars

Quantity: _____
 Diameter: _____

Style:

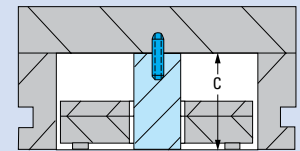
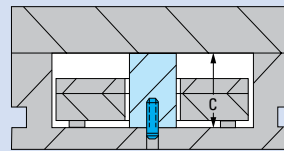
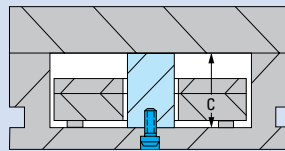
- Cap screw
- Threaded locating pin
- Socket set screw



Cap Screw Application

Threaded Locating Pin Application

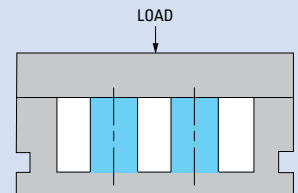
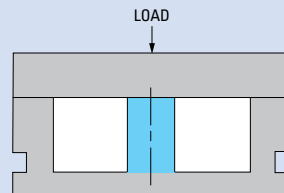
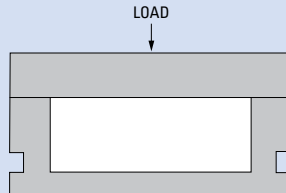
Socket Set Screw Application



No support pillars

One row of support pillars increases the permissible cavity area 4 times

Two rows of support pillars increase the permissible cavity area 9 times



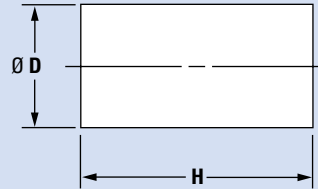
Ø D	E	F	H (APPROX)	J SOCKET SET SCREW
1", 1 1/4", 1 1/2", 2"	5/8	3/8-16	1/2	ITEM NO. SSS-38114
3", 4"	1 1/4	5/8-11	3/8	ITEM NO. SSS-582

NOTE: Order SHCS separately.

Support Pillars

Support Pillars

$\emptyset D$ ^{+0.00} _{-0.00}	H ^{+0.001} _{-0.000} HEIGHT	ITEM NUMBER
1"	2.500	6090
	3.000	6091
	3.500	6092
	4.000	6093
	4.500	6094
1 1/4"	2.500	6130
	3.000	6131
	3.500	6132
	4.000	6133
	4.500	6134
	5.000	6135
1 1/2"	2.500	6140
	3.000	6141
	3.500	6142
	4.000	6143
	4.500	6144
	5.000	6145
2"	2.500	6150
	3.000	6151
	3.500	6152
	4.000	6153
	4.500	6154
	5.000	6155
3"	5.000	6235
	6.000	6236
	8.000	6238
4"	5.000	6245
	6.000	6246
	8.000	6248



Support pillars are universally adaptable for cap screw, threaded locating pin, or socket set screw applications.

Order pillars from chart at left and required "fasteners" as listed below.

Cap Screw (S.H.C.S.) Applications

3/8-16 or 5/8-11 socket head cap screws can be ordered in length required, see D-M-E Mold Components Catalog.

Threaded Locating Pin Applications

Locating pins unavailable for 3" and 4" diameter pillars.

$\emptyset D$ PILLAR	ITEM NUMBER
1" TO 2"	TLP-38

Socket Set Screw Applications

Order pins and screws in package lots only.

$\emptyset D$ PILLAR	ITEM NUMBER	QTY PER PACKAGE
1" TO 2"	SSS-38114	10
3" AND 4"	SSS-582	5