

Return Pins, Stop Pins and Sprue Puller Pins



Features supplied as standard unless otherwise specified.

FOR QUOTING OR ORDERING, SPECIFY:

Return Pins

Position: STD Specify
 Recommended position from table provided standard. If a different position is required, specify below.

Position 1

Standard outboard position for maximum space.

Position 2

Inboard position to allow for spring pockets.

Position/Omission:

RPxos1 _____ RPy1 _____
 RPx2 _____ RPy2 _____
 RPx3 _____ RPy3 _____
 RPx4 _____ RPy4 _____

- Omit machining for return pins
- Omit return pins

Length: STD Specify _____
Diameter: STD Specify _____

Sprue Puller Pins

Diameter: STD Specify
 Recommended diameter provided standard (.375 diameter, except 88 and 812 are .250 diameter). If a different diameter is required, specify below.

- .250
- .3125
- .375

Length: STD Specify

Position/Omission:

Position on center Center

or relocate to

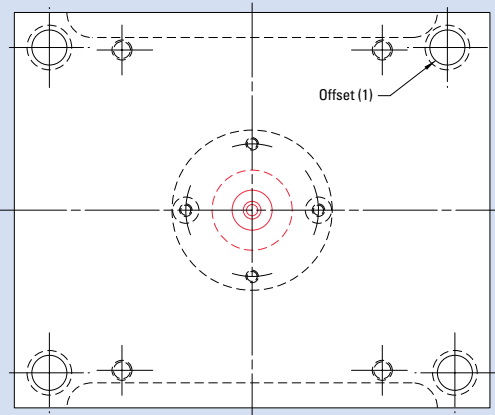
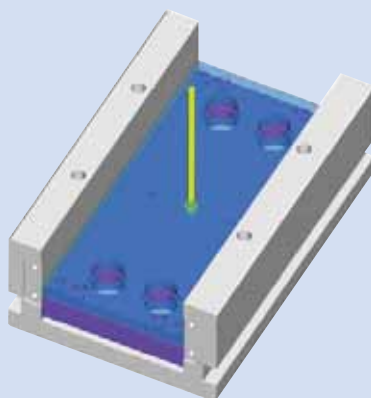
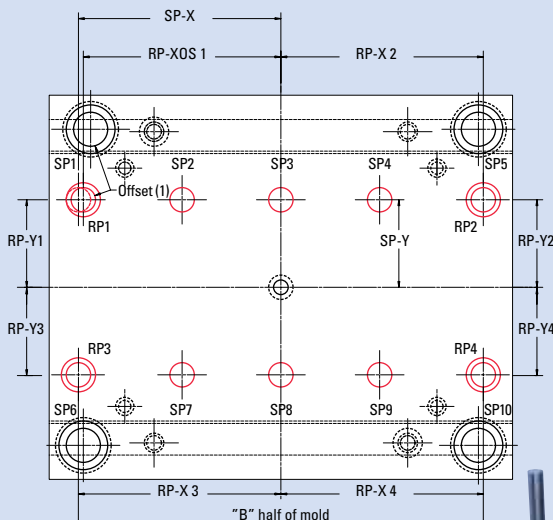
X _____ Y _____

- Omit machining for sprue puller pin
- Omit sprue puller pin

Return Pins are used to ensure correct return of the ejector assembly to the home position. D-M-E return pins are precision-ground from superior quality hotwork die steel.

Stop Pins arrest travel — preventing excessive wear and possible housing damage.

The Sprue Puller Pin removes material from the Sprue Bushing at the end of the molding cycle. It's positioned directly below the Sprue Bushing and is retained between the ejector bar and ejector retainer.



Return Pins, Stop Pins and Sprue Puller Pins

Mold Base Return Pin and Stop Pin Positions

BASE SIZE	RP DIAMETER (RECOMMENDED)	RP-y SP-y	POSITION 1		POSITION 2		SP-x1 SP-x6	SP-x2 SP-x7	SP-x3 SP-x8	SP-x4 SP-x9	SP-x5 SP-x10
			RP-xos	RP-x	RP-xos	RP-x					
88	0.500	1.500	3.250	3.375	3.188	3.312	3.375				3.375
812	0.500	1.500	5.250	5.375	5.188	5.312	5.375		On Center		5.375
108	0.625	2.250	3.250	3.375	3.125	3.250	3.375				3.375
1012	0.625	2.250	5.188	5.312	5.063	5.188	5.312		On Center		5.312
1016	0.625	2.250	7.250	7.375	7.125	7.250	7.375	2.500		2.500	7.375
1020	0.625	2.250	9.250	9.375	9.125	9.250	9.375	3.125		3.125	9.375
1112	0.625	2.812	5.250	5.375	5.125	5.250	5.375		On Center		5.375
1114	0.625	2.812	6.250	6.375	6.125	6.250	6.375		On Center		6.375
1118	0.625	2.812	8.250	8.375	8.125	8.250	8.375		On Center		8.375
1123	0.625	2.812	11.000	11.125	10.875	11.000	11.125	3.750		3.750	11.125
1212	0.750	3.188	5.250	5.375	5.000	5.125	5.375		On Center		5.375
1215	0.750	3.188	6.750	6.875	6.500	6.625	6.875	2.250		2.250	6.875
1220	0.750	3.188	9.250	9.375	9.000	9.125	9.375	3.094		3.094	9.375
1223	0.750	3.188	11.000	11.125	10.750	10.875	11.125	3.750		3.750	11.125
1315	0.750	3.812	6.750	6.875	6.500	6.625	6.875	2.250		2.250	6.875
1318	0.750	3.812	8.250	8.375	8.000	8.125	8.375	2.750		2.750	8.375
1321	0.750	3.812	9.500	9.625	9.375	9.500	9.625	4.000		4.000	9.625
1323	0.750	3.812	10.875	11.000	10.750	10.875	11.000	4.000		4.000	11.000
1326	0.750	3.812	12.125	12.250	12.000	12.125	12.250	4.000		4.000	12.250
1329	0.750	3.812	13.875	14.000	13.750	13.875	14.000	5.000		5.000	14.000
1518	0.750	3.875	8.125	8.250	7.938	8.062	8.250	2.750		2.750	8.250
1524	0.750	3.875	11.000	11.125	10.875	11.000	11.125	3.750		3.750	11.125
1529	0.750	3.875	13.875	14.000	13.750	13.875	14.000	4.688		4.688	14.000
1616	0.750	4.375	7.125	7.250	7.000	7.125	7.250	2.375		2.375	7.250
1620	0.750	4.375	9.125	9.250	9.000	9.125	9.250	3.062		3.062	9.250
1623	0.750	4.375	10.875	11.000	10.750	10.875	11.000	4.000		4.000	11.000
1626	0.750	4.375	12.125	12.250	12.000	12.125	12.250	4.000		4.000	12.250
1629	0.750	4.375	13.875	14.000	13.750	13.875	14.000	4.688		4.688	14.000
1635	0.750	4.375	16.875	17.000	16.750	16.875	17.000	8.500	On Center	8.500	17.000
1724	0.750	4.625	11.000	11.125	10.875	11.000	11.125	3.750		3.750	11.125
1729	0.750	4.625	13.875	14.000	13.750	13.875	14.000	4.688		4.688	14.000
1818	0.750	5.375	8.125	8.250	8.000	8.125	8.250	2.750		2.750	8.250
1820	0.750	5.375	9.125	9.250	9.000	9.125	9.250	3.062		3.062	9.250
1823	0.750	5.375	10.875	11.000	10.750	10.875	11.000	4.000		4.000	11.000
1826	0.750	5.375	12.125	12.250	12.000	12.125	12.250	4.000		4.000	12.250
1829	0.750	5.375	13.875	14.000	13.750	13.875	14.000	4.688		4.688	14.000
1835	0.750	5.375	16.875	17.000	16.750	16.875	17.000	8.500	On Center	8.500	17.000
1924	0.750	6.125	11.000	11.125	10.875	11.000	11.125	3.750		3.750	11.125
1929	0.750	6.125	13.875	14.000	13.750	13.875	14.000	4.688		4.688	14.000
1935	0.750	6.125	16.875	17.000	16.750	16.875	17.000	8.500	On Center	8.500	17.000
2424	0.750	7.750	11.000	11.125	10.875	11.000	11.125	3.750		3.750	11.125
2429	0.750	7.750	13.875	14.000	13.750	13.875	14.000	4.688		4.688	14.000
2435	0.750	7.750	16.875	17.000	16.750	16.875	17.000	8.500	On Center	8.500	17.000