

Leader Pin Vents, Spring Pockets & Mold Strap Holes

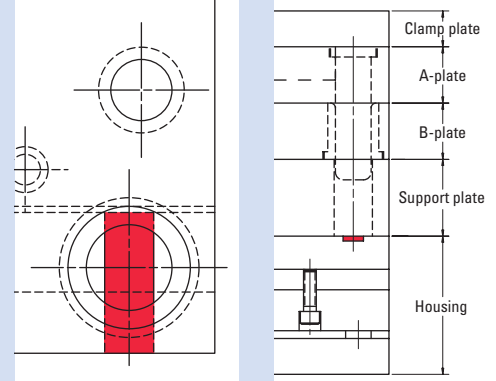


FOR QUOTING OR ORDERING, SPECIFY:

Leader Pin Vents

Leader Pin Vents (0.50 wide x 0.12 deep) can be machined in the housing under the bushing location.

Leader Pin Vents, which allow trapped air to escape from the mold, are designed into all 15-inch-and-wider series molds. When desired, they can be specified on smaller molds.

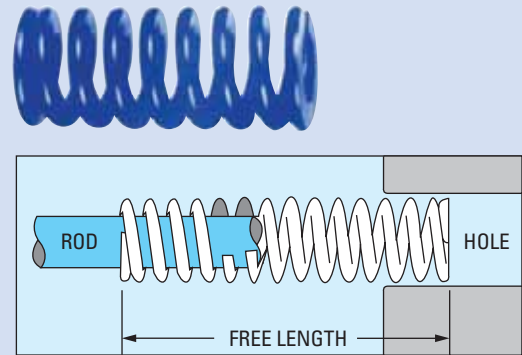


Spring Pockets

Quantity: _____

Plate(s) with pockets: _____

Per customer specifications, D-M-E finishes any type of cavity and core pockets. See D-M-E Mold Components catalog for spring free lengths and hole dimensions.



Mold Strap Holes

Provide desired positions and quantity (minimum 2).

Quantity: _____

Positions: _____

Machined holes will be for mounting mold straps. Please provide desired positions and quantity (minimum 2).

