

Interlocks

D-M-E Interlocks are precision tolerated and precision manufactured to provide off-the-shelf interchangeability and accurate alignment of mold halves.



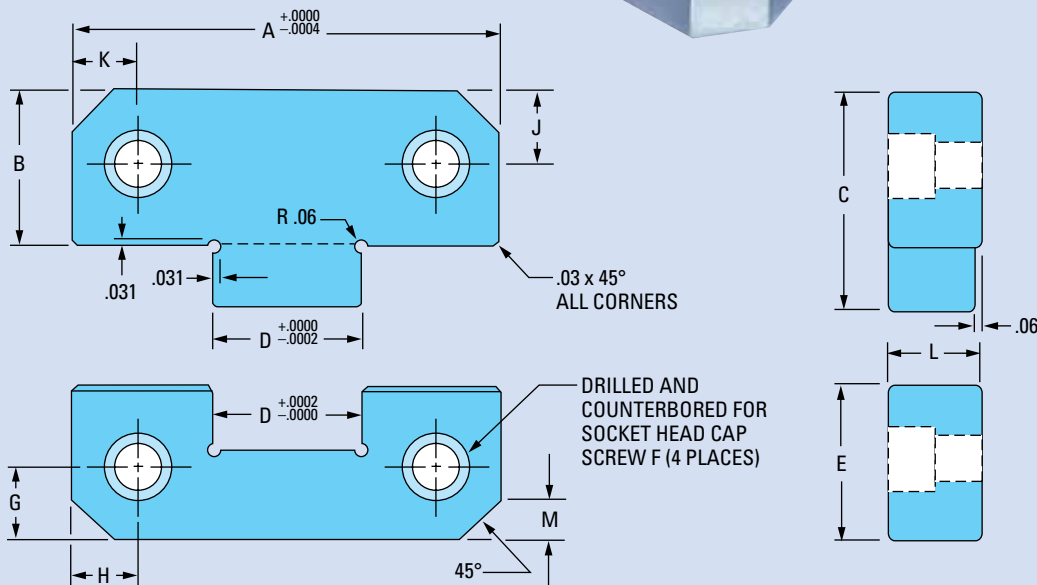
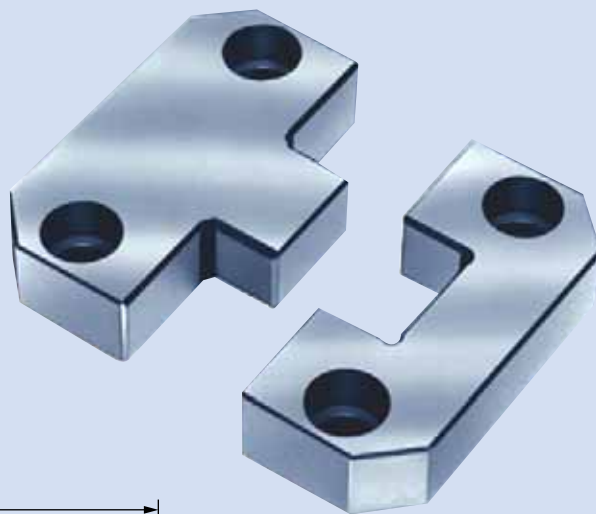
FOR QUOTING OR ORDERING, SPECIFY:

Interlocks

Quantity: _____

Item Number: _____

NOTE: See D-M-E Mold Components catalog for additional interlock options.



ITEM NUMBER	A NOMINAL	B	C	D NOMINAL	E	F*	G	H	J	K	L	M
PLM-0001	1.5000	.870	1.18	.5000	.870	1/4-20 X 3/4	.281	.281	.437	.281	.620	.19
PLF-0001												
PLM-0002	2.0000	.870	1.18	.6800	.870	1/4-20 X 3/4	.375	.375	.437	.375	.620	.19
PLF-0002												
PLM-0003	3.0000	1.360	1.910	1.0000	1.370	3/8-16 X 1	.688	.375	.688	.375	.745	.19
PLF-0003												
PLM-0004	4.0000	1.870	2.640	1.3750	1.870	3/8-16 X 1	.875	.625	.875	.625	.745	.50
PLF-0004												
PLM-0005	5.0000	1.870	2.640	1.7500	1.870	1/2-13 X 1 1/4	.875	.750	.875	.750	1.120	.50
PLF-0005												

*(2) F size SHCS included with each interlock.