

Ejector Housing and Cover



Features supplied as standard unless otherwise specified.

FOR QUOTING OR ORDERING, SPECIFY:

Ejector Housing Type

Welded Housing

Available in #1 steel

3-Piece Housing

D-M-E #1 steel

D-M-E #7 steel

Riser Height:

2.500

4.500

3.000

5.000*

3.500

5.500*

4.000

6.000*

Other _____

*Available in 3-Piece only

Bottom Clamp Plate

Thickness for

3-Piece Housing

0.875

3.375

1.375

3.875

1.875

4.875

2.375

5.875

2.875

Other _____

Ejector Housing Cover

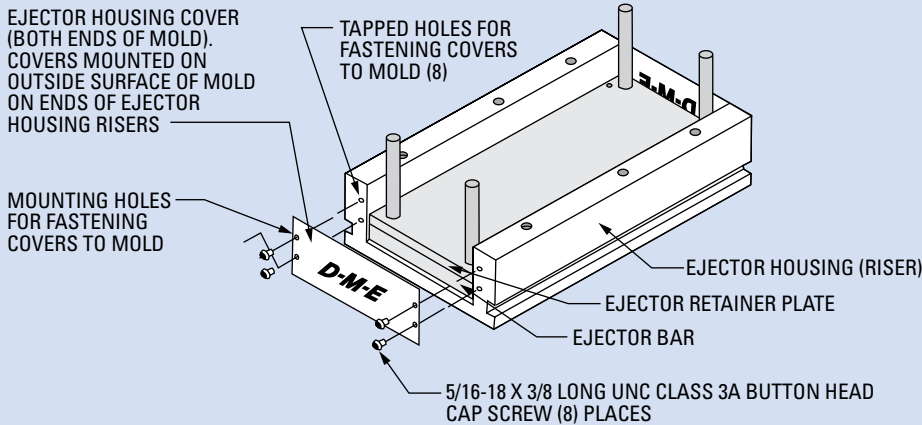
For additional operator safety, D-M-E Standard Mold Bases include an ejector housing cover, except when a longer length ejector bar is selected. The perforated D-M-E logo helps the operator to visually determine if the ejector plate and ejector retainer plate are in the returned position. The cover is fastened on both sides with 5/16-18 button-head cap screws. Once again, D-M-E is leading the industry into a safer work environment.

Ejector Housing

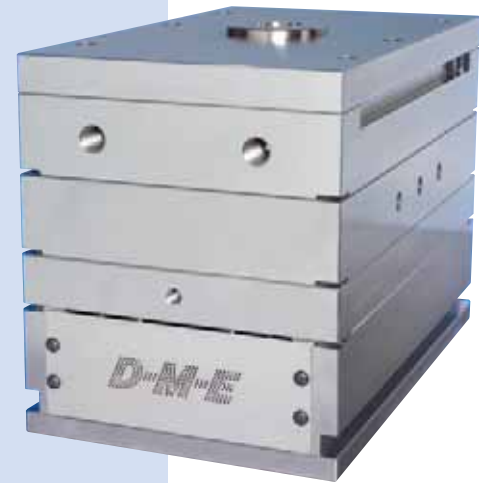
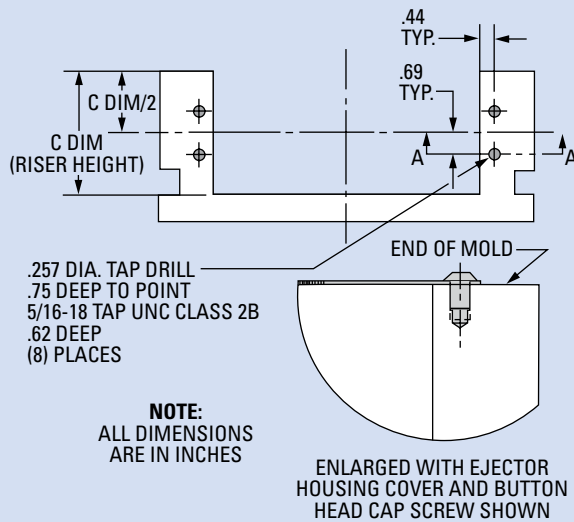
D-M-E offers a selection of housing types to fit application demands. A one-piece welded housing is available for customers requiring maximum rigidity and robust durability. For maximum flexibility of configuration options, a three-piece housing is also available.



Ejector Housing and Cover



Recommended Dimensions for Drilling and Tapping



Ejector Housing Cover Item Numbers

HOUSING WIDTH CODE	RISER HEIGHT CODE							
	25	30	35	40	45	50	55	60
08	EHCS0825	EHCS0830	EHCS0835	EHCS0840	EHCS0845	EHCS0850	EHCS0855	EHCS0860
10	EHCS1025	EHCS1030	EHCS1035	EHCS1040	EHCS1045	EHCS1050	EHCS1055	EHCS1060
11	EHCS1125	EHCS1130	EHCS1135	EHCS1140	EHCS1145	EHCS1150	EHCS1155	EHCS1160
12	EHCS1225	EHCS1230	EHCS1235	EHCS1240	EHCS1245	EHCS1250	EHCS1255	EHCS1260
13	EHCS1325	EHCS1330	EHCS1335	EHCS1340	EHCS1345	EHCS1350	EHCS1355	EHCS1360
15	EHCS1525	EHCS1530	EHCS1535	EHCS1540	EHCS1545	EHCS1550	EHCS1555	EHCS1560
16	EHCS1625	EHCS1630	EHCS1635	EHCS1640	EHCS1645	EHCS1650	EHCS1655	EHCS1660
17	EHCS1725	EHCS1730	EHCS1735	EHCS1740	EHCS1745	EHCS1750	EHCS1755	EHCS1760
18	EHCS1825	EHCS1830	EHCS1835	EHCS1840	EHCS1845	EHCS1850	EHCS1855	EHCS1860
19	EHCS1925	EHCS1930	EHCS1935	EHCS1940	EHCS1945	EHCS1950	EHCS1955	EHCS1960
24	EHCS2425	EHCS2430	EHCS2435	EHCS2440	EHCS2445	EHCS2450	EHCS2455	EHCS2460

NOTE: EHC item numbers are assembled from the prefix EHCS plus the width code and thickness code.
Example: EHCS0825 would be the cover for an 88 or 812 with a riser of 2.5".