

3-Plate Extension Bushings



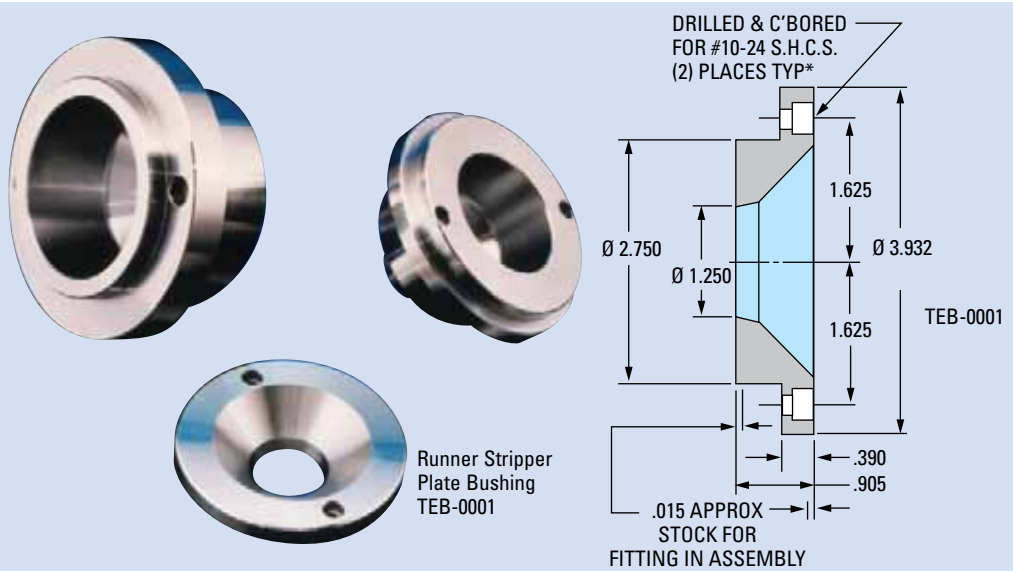
Three-Plate Extension Bushings can save material, reduce cycle time and help prevent runner hang-ups in 3-plate molds.

FOR QUOTING OR ORDERING, SPECIFY:

Extension Bushings

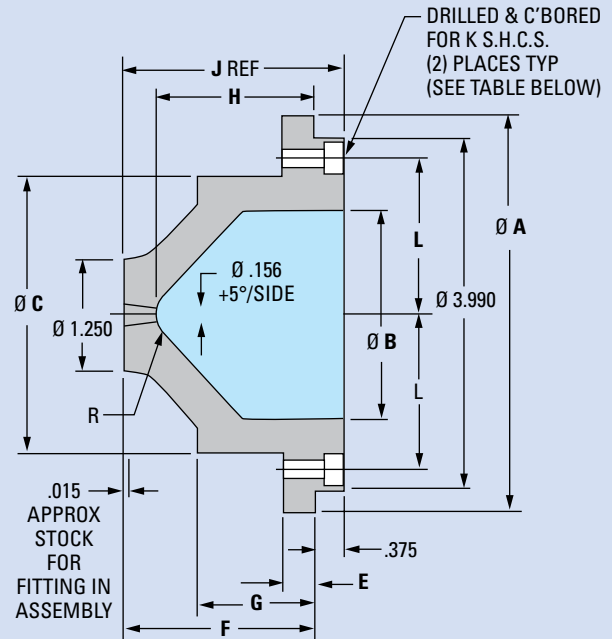
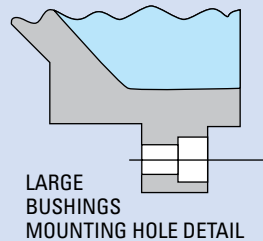
Item Number: _____

Quantity: _____



NOTES:

1. Stripper plate bushing TEB-0001 is used with all small and large extension nozzle bushings.
2. Appropriate S.H.C.S. are included with all bushings (TEB-0001 thru TEB-0009).
3. Select small or large bushing based on "A" clamping plate (A.C.P.) thickness, X-1 stripper plate thickness, machine nozzle spherical radius and machine nozzle clearance requirements.



ITEM NUMBER	R SPH. RAD	Ø A	Ø B	Ø C	E	F	G	H	J	K	L
TEB-0002	1/2	4.490	2.375	3.120	.375	2.265	1.377	1.875	2.640	#10-24 x 7/8 LONG (2) INCLUDED	1.781
TEB-0003	3/4							1.812			
TEB-0004	1/2							2.375			
TEB-0005	3/4	5.490	3.250	3.932	.750	2.765	1.877	2.312	3.140	5/16-18 x 7/8 LONG (2) INCLUDED	2.312
TEB-0006	1/2							2.375			
TEB-0007	3/4							2.312			
TEB-0008	1/2	5.490	3.250	3.932	.750	3.265	2.377	2.875	3.640	5/16-18 x 7/8 LONG (2) INCLUDED	2.312
TEB-0009	3/4							2.812			