

D-M-E Slide Action Components

Facilitating greater molding productivity through slide action innovation



SLIDE RETAINERS



WEAR PLATES



ANGLE PINS



GIB ASSEMBLIES



SMART LOCK

D-M-E
Every step of the way

Table of Contents



Angle Pins..... 14 to 15

Supplied with a pre-machined spherical radius on the head to eliminate angle grinding



Slide Retainers 16 to 21

Mini-Might™ and Smart-Lock® designed to be small in size yet strong in holding capacity



Wear Plates 22 to 24

Bronze-plated, self-lubricating wear surfaces for long-lasting results



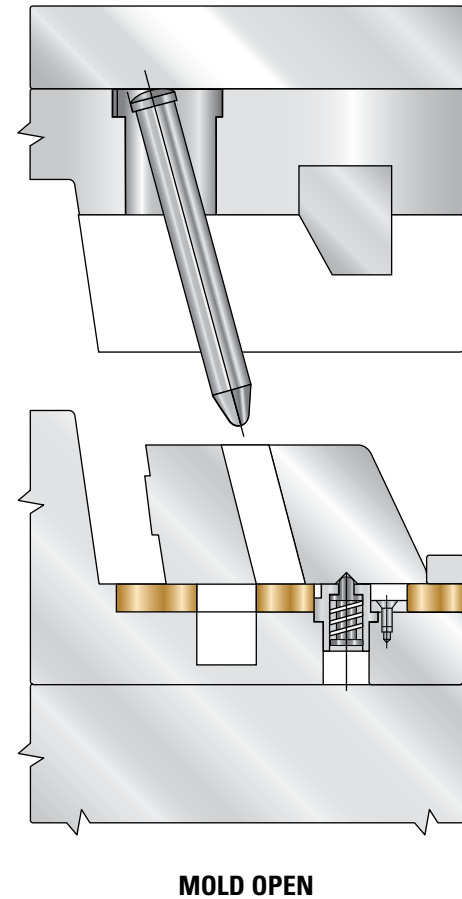
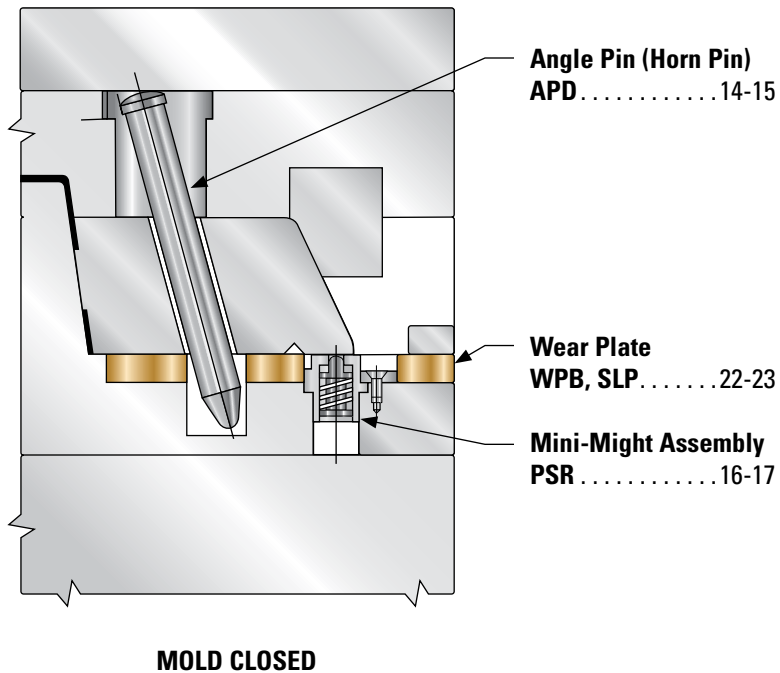
Gib Assemblies 25 to 28

Self-lubricating, bronze-plated base plates

Online Price Guide

Go to www.dme.net/prices for the latest pricing guide.

Table of Contents



ANGLE PINS

| | |
|-------------------------------------|----|
| ANGLE PINS..... | 14 |
| METRIC ANGLE PINS (GUIDE PINS)..... | 15 |

SLIDE RETAINERS

| | |
|---|-------|
| MINI-MIGHT™ SLIDE RETAINERS..... | 16-17 |
| SMART-LOCK® AND LIMIT SWITCH..... | 18-19 |
| SLIDE RETAINER ASSEMBLIES..... | 20 |
| SLIDE RETAINER INSTALLATION GUIDELINES..... | 21 |

WEAR PLATES

| | |
|-----------------------------------|----|
| BRONZE-PLATED WEAR PLATES..... | 22 |
| SELF-LUBRICATING WEAR PLATES..... | 23 |
| SELF-LUBRICATING WEAR WAYS..... | 24 |

GIB ASSEMBLIES

| | |
|--------------------------------------|----|
| SELF-LUBRICATING GIB ASSEMBLIES..... | 25 |
| BASE PLATES FOR GIB ASSEMBLIES..... | 25 |
| L-GIBS FOR GIB ASSEMBLIES..... | 26 |
| BRONZE-PLATED L-GIBS..... | 27 |
| SELF-LUBRICATING L-GIBS..... | 27 |
| SELF-LUBRICATING SQUARE GIBS..... | 28 |