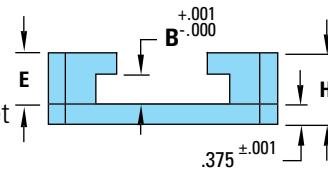
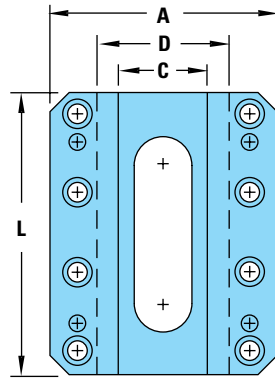


Self-Lubricating Gib Assemblies | Base Plates for Assemblies



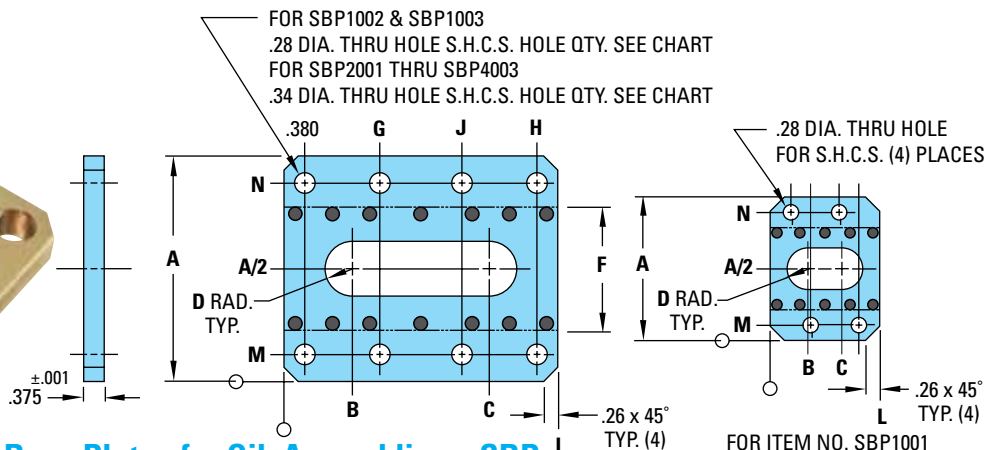
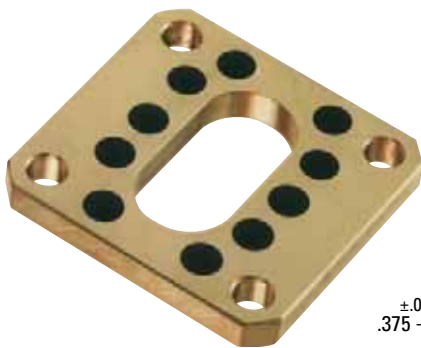
- Standardized assembly
- Wide variety of applications
- Easily installed in pre-machined pocket
- Reduces design and assembly time

The Gib Assembly includes three components: two L-Gibs and a Base Plate. The L-Gibs are provided with screw holes and are spot-drilled for dowels; the Base Plate includes thru holes to allow for easy assembly.

Self-Lubricating Gib Assemblies – SLA

Material: Aluminum Bronze with Graphite Plugs
Hardness: 179 Bhn

ITEM NUMBER	H	A	L	B	C	D	E
SLA1001	1.12	2.62	2.00	.312	1.12	1.50	.75
SLA1002	1.12	2.62	3.00	.312	1.12	1.50	.75
SLA1003	1.12	2.62	4.00	.312	1.12	1.50	.75
SLA2001	1.12	3.12	3.00	.375	1.12	1.62	.75
SLA2002	1.12	3.12	4.00	.375	1.12	1.62	.75
SLA2003	1.12	3.12	5.00	.375	1.12	1.62	.75
SLA3001	1.25	4.12	3.00	.500	1.62	2.36	.88
SLA3002	1.25	4.12	4.00	.500	1.62	2.36	.88
SLA3003	1.25	4.12	5.00	.500	1.62	2.36	.88
SLA3004	1.25	4.12	6.00	.500	1.62	2.36	.88
SLA4001	1.62	4.62	4.00	.750	1.62	2.62	1.25
SLA4002	1.62	4.62	5.00	.750	1.62	2.62	1.25
SLA4003	1.62	4.62	6.00	.750	1.62	2.62	1.25



Base Plates for Gib Assemblies – SBP

Material: Aluminum Bronze with Graphite Plugs **Hardness:** 179 Bhn

ITEM NUMBER	A	L	B	C	D	F	G	H	J	M	N	MOUNTING HOLE QTY
SBP1001	2.620	2.00	.69	1.31	.38	1.50	.740	1.62	1.260	.280	2.340	4
SBP1002	2.620	3.00	.88	2.12	.38	1.50	—	2.620	—	.280	2.340	4
SBP1003	2.620	4.00	1.00	3.00	.38	1.50	2.000	3.620	—	.280	2.340	6
SBP2001	3.120	3.00	.88	2.12	.38	1.68	—	2.620	—	.370	2.750	4
SBP2002	3.120	4.00	1.00	3.00	.38	1.68	2.000	3.620	—	.370	2.750	6
SBP2003	3.120	5.00	1.12	3.88	.38	1.68	2.500	4.620	—	.370	2.750	6
SBP3001	4.120	3.00	1.00	2.00	.50	2.25	—	2.620	—	.495	3.625	4
SBP3002	4.120	4.00	1.12	2.88	.50	2.25	2.000	3.620	—	.495	3.625	6
SBP3003	4.120	5.00	1.25	3.75	.50	2.25	2.500	4.620	—	.495	3.625	6
SBP3004	4.120	6.00	1.50	4.50	.50	2.25	2.000	5.620	4.000	.495	3.625	8
SBP4001	4.620	4.00	1.12	2.88	.50	2.41	2.000	3.620	—	.560	4.060	6
SBP4002	4.620	5.00	1.25	3.75	.50	2.41	2.500	4.620	—	.560	4.060	6
SBP4003	4.620	6.00	1.50	4.50	.50	2.41	2.000	5.620	4.000	.560	4.060	8

NOTES:

- Tolerances not noted are ±.010, Hole locations are ±.005.
- Graphic plug pattern varies by product size.

All items in stock.

WHEN ORDERING, PLEASE SPECIFY:

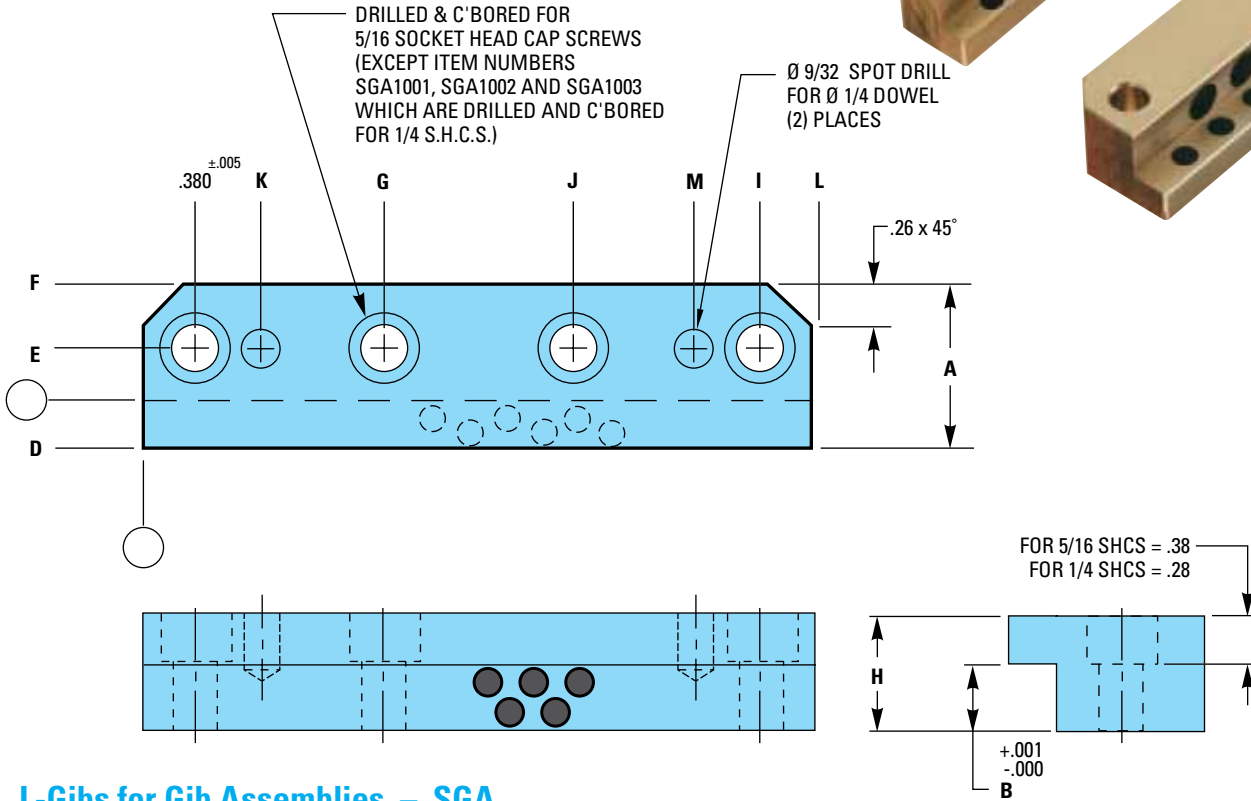
- Item Numbers from charts
- Quantity
- Method of shipment

Slide Action Components | Self-Lubricating Gib Assemblies; Base Plates for Assemblies

L-Gibs for Gib Assemblies

NOTES:

1. Tolerances not noted are ±.010, Hole locations are ±.005.
2. Graphic plug pattern varies by product size.



L-Gibs for Gib Assemblies – SGA

Material: Aluminum Bronze with Graphite Plugs **Hardness:** 179 Bhn

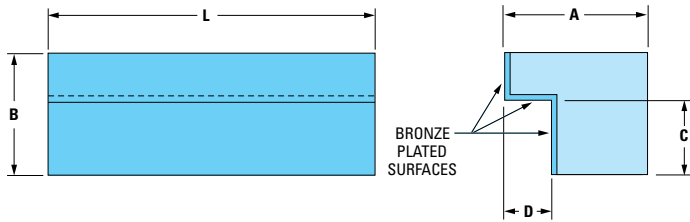
ITEM NUMBER	H	A	L	B	D	E	F	G	I	J	K	M	MOUNTING HOLE QTY
SGA1001	.75	.750	2.00	.312	.188	.28	.56	—	—	1.26	.79	1.74	2
SGA1002	.75	.750	3.00	.312	.188	.28	.56	—	2.620	—	.88	2.12	2
SGA1003	.75	.750	4.00	.312	.188	.28	.56	2.00	3.620	—	.88	3.12	3
SGA2001	.75	1.000	3.00	.375	.250	.38	.75	—	2.620	—	.88	2.12	2
SGA2002	.75	1.000	4.00	.375	.250	.38	.75	2.00	3.620	—	.88	3.12	3
SGA2003	.75	1.000	5.00	.375	.250	.38	.75	2.50	4.620	—	.88	4.12	3
SGA3001	.88	1.250	3.00	.500	.375	.38	.88	—	2.620	—	.88	2.12	2
SGA3002	.88	1.250	4.00	.500	.375	.38	.88	2.00	3.620	—	.88	3.12	3
SGA3003	.88	1.250	5.00	.500	.375	.38	.88	2.50	4.620	—	.88	4.12	3
SGA3004	.88	1.250	6.00	.500	.375	.38	.88	2.00	5.620	4.000	.88	5.12	4
SGA4001	1.25	1.500	4.00	.750	.500	.44	1.00	2.00	3.620	—	.88	3.12	3
SGA4002	1.25	1.500	5.00	.750	.500	.44	1.00	2.50	4.620	—	.88	4.12	3
SGA4003	1.25	1.500	6.00	.750	.500	.44	1.00	2.00	5.620	4.000	.88	5.12	4

WHEN ORDERING, PLEASE SPECIFY:

1. Item Numbers from charts
2. Quantity
3. Method of shipment

All items in stock.

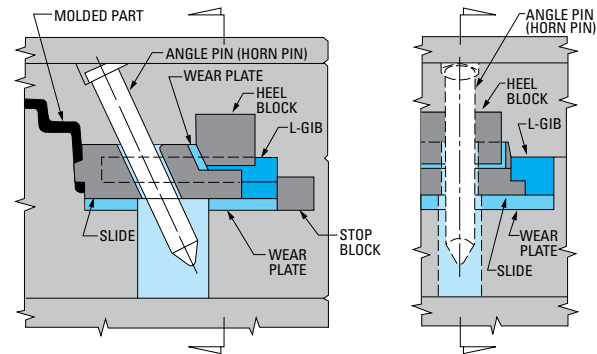
Bronze-Plated L-Gibs | Self-Lubricating L-Gibs



Bronze-Plated L-Gibs – LGB

ITEM NUMBER	A WIDTH	B HEIGHT	C $\begin{smallmatrix} +.001 \\ -.000 \end{smallmatrix}$	D $\begin{smallmatrix} +.001 \\ -.000 \end{smallmatrix}$	L LENGTH	APPROX WEIGHT (LBS)
LGB-1001	.750	.485	.3125	.1875	8.75	0.75
LGB-2001	1.000	.610	.375	.250	10.00	1.50
LGB-3001	1.250	.860	.500	.375	12.50	3.20
LGB-4001	1.500	1.235	.750	.500	15.00	6.30
LGB-5001	2.000	1.470	.875	.625	24.00	16.25
LGB-6001	2.500	1.970	1.250	.750	32.00	36.25
LGB-7001	3.000	2.470	1.500	1.000	48.00	80.50

Typical Applications of L-Gibs and Wear Plates



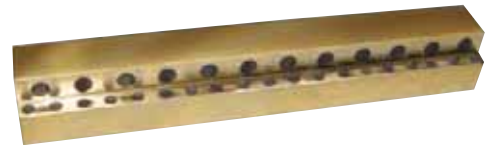
Self-Lubricating L-Gibs – SLG

Material: Aluminum Bronze with Graphite Plugs
Hardness: 179 Bhn

ITEM NUMBER	H	A	L	B	C	D
SLG1001	.75	.75	5.25	.312	.187	.56
SLG1002	.75	.75	7.00	.312	.187	.56
SLG1003	.75	.75	8.75	.312	.187	.56
SLG2001	.75	1.00	6.00	.375	.250	.75
SLG2002	.75	1.00	8.00	.375	.250	.75
SLG2003	.75	1.00	10.00	.375	.250	.75
SLG3001	.88	1.25	6.00	.500	.375	.88
SLG3002	.88	1.25	7.50	.500	.375	.88
SLG3003	.88	1.25	10.00	.500	.375	.88
SLG3004	.88	1.25	12.50	.500	.375	.88
SLG4001	1.25	1.50	6.00	.750	.500	1.00
SLG4002	1.25	1.50	9.00	.750	.500	1.00
SLG4003	1.25	1.50	12.00	.750	.500	1.00
SLG4004	1.25	1.50	15.00	.750	.500	1.00
SLG5001	1.50	2.00	8.00	.875	.625	1.37
SLG5002	1.50	2.00	12.00	.875	.625	1.37
SLG5003	1.50	2.00	16.00	.875	.625	1.37
SLG6001	2.00	2.50	12.00	1.25	.750	1.75
SLG6002	2.00	2.50	18.00	1.25	.750	1.75
SLG6003	2.00	2.50	24.00	1.25	.750	1.75
SLG7001	2.50	3.00	12.00	1.50	1.000	2.00
SLG7002	2.50	3.00	18.00	1.50	1.000	2.00
SLG7003	2.50	3.00	24.00	1.50	1.000	2.00

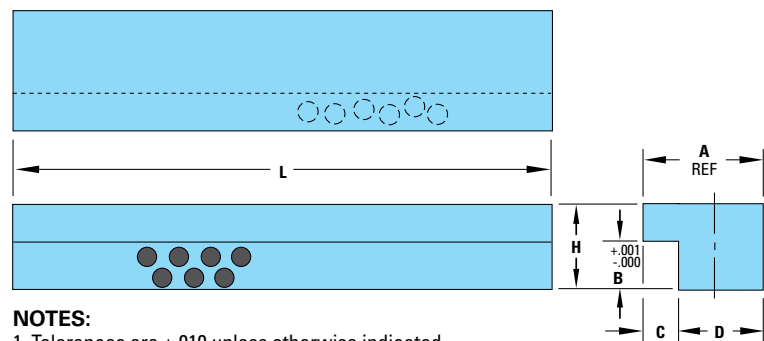
All items in stock.

- Low coefficient of friction
- No pre-drilled holes – allows flexibility in mounting patterns
- Close tolerance



D-M-E Self-Lubricating L-Gibs provide a long-lasting wear surface for high-production molds using slides and cams. L-Gibs are easy to machine and can be shaped to any configuration, requiring no special tools.

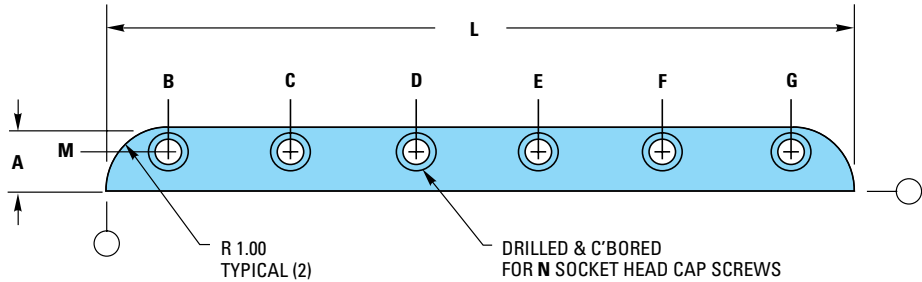
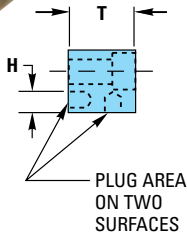
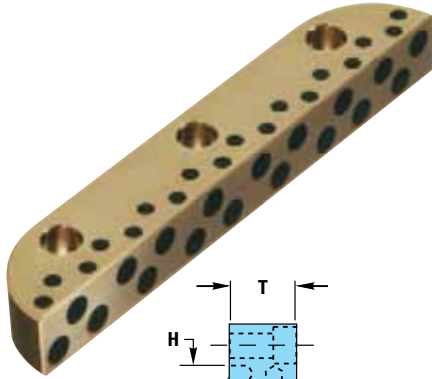
They are supplied with no pre-drilled holes, providing the designer with flexibility in mounting patterns. This allows the designer to work around water lines and other components in the mold.



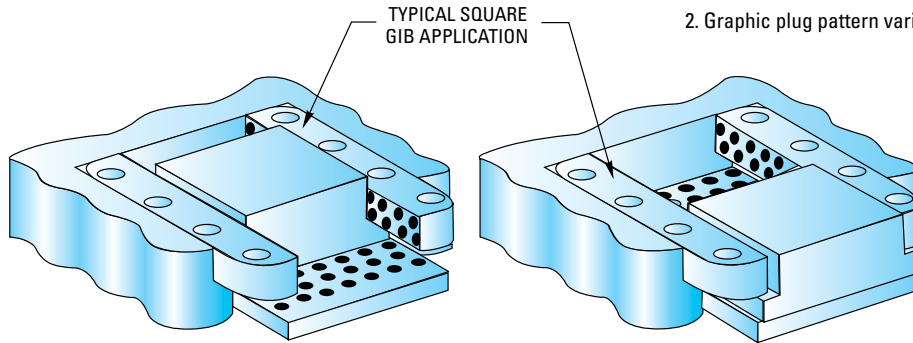
- NOTES:**
1. Tolerances are $\pm .010$ unless otherwise indicated.
 2. Graphic plug pattern varies by product size.

- WHEN ORDERING, PLEASE SPECIFY:**
1. Item Numbers from charts
 2. Quantity
 3. Method of shipment

Self-Lubricating Square Gibs



- NOTES:**
1. Tolerances are $\pm .010$ unless otherwise indicated.
 2. Graphic plug pattern varies by product size.



Self-Lubricating Square Gibs – SSG

Material: Aluminum Bronze with Graphite Plugs **Hardness:** 179 Bhn

ITEM NUMBER	T	A	L	B	C	D	E	F	G	H	M	N
SSG1001	.750	1.00	4.00	1.00	3.00	—	—	—	—	.39	.625	$\frac{3}{8}$
SSG1002	.750	1.00	5.00	1.00	2.50	4.00	—	—	—	.39	.625	$\frac{3}{8}$
SSG1003	.750	1.00	6.00	1.00	3.00	5.00	—	—	—	.39	.625	$\frac{3}{8}$
SSG1004	.750	1.00	8.00	1.00	3.00	5.00	7.00	—	—	.39	.625	$\frac{3}{8}$
SSG1005	.750	1.00	10.00	1.00	3.00	5.00	7.00	9.00	—	.39	.625	$\frac{3}{8}$
SSG1006	.750	1.00	12.00	1.00	3.00	5.00	7.00	9.00	11.00	.39	.625	$\frac{3}{8}$
SSG2001	1.00	1.25	4.00	1.00	3.00	—	—	—	—	.62	.875	$\frac{3}{8}$
SSG2002	1.00	1.25	5.00	1.00	2.50	4.00	—	—	—	.62	.875	$\frac{3}{8}$
SSG2003	1.00	1.25	6.00	1.00	3.00	5.00	—	—	—	.62	.875	$\frac{3}{8}$
SSG2004	1.00	1.25	8.00	1.00	3.00	5.00	7.00	—	—	.62	.875	$\frac{3}{8}$
SSG2005	1.00	1.25	10.00	1.00	3.00	5.00	7.00	9.00	—	.62	.875	$\frac{3}{8}$
SSG2006	1.00	1.25	12.00	1.00	3.00	5.00	7.00	8.00	11.00	.62	.875	$\frac{3}{8}$
SSG3001	1.50	2.00	8.00	1.50	4.00	6.50	—	—	—	.86	1.25	$\frac{5}{8}$
SSG3002	1.50	2.00	10.00	1.25	3.75	6.25	8.75	—	—	.86	1.25	$\frac{5}{8}$
SSG3003	1.50	2.00	12.00	1.50	4.50	7.50	10.50	—	—	.86	1.25	$\frac{5}{8}$

WHEN ORDERING, PLEASE SPECIFY:

1. Item Numbers from charts
2. Quantity
3. Method of shipment

All items in stock.