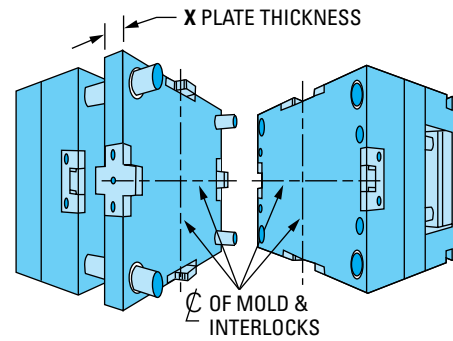
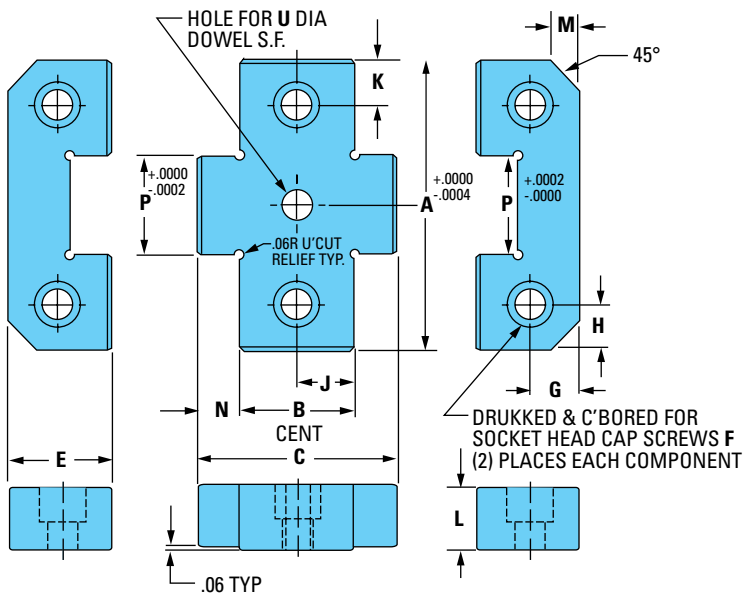
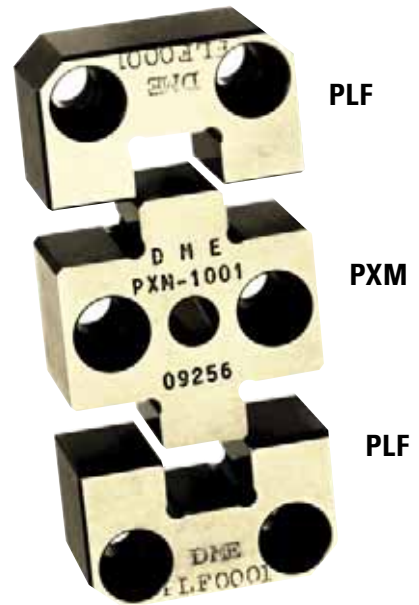


X-Style Straight-Side Interlocks

- Provides positive alignment between three adjacent plates when mold has two parting line openings, providing close alignment for interlock cavities and cores in stripper plate-type molds
- Used with AX-Series (floating plate) and X-Series (stripper plate) mold bases, as well as other mold bases with floating plates
- Interchangeable male PXM and female PLF details can be purchased individually



X-Style Straight-Side Interlocks – PLF, PXM

Material: AISI 8620 Steel-Carburized, Hardened and Ground **Hardness:** PXM: 50-55 HRC, PLF: 55-60 HRC

ITEM NUMBER		X PLATE THICKNESS	A NOMINAL	B	C	P NOMINAL	E	F	G	H	J	K	L	M	N	U DIA
FEMALE	X-STYLE															
PLF-0001 (2 REQ'D)	PXM-1001	.875	1.5000	.850	1.470	.5000	.870	1/4-20 X 3/4	.281	.281	.425	.281	.620	.19	.310	.2500 (1/4 DIA X 1" LG DWL)
	PXM-2001	1.375		1.350	1.970						.675					
PLF-0002 (2 REQ'D)	PXM-1002	.875	2.0000	.850	1.470	.6800	.870	1/4-20 X 3/4	.375	.375	.425	.375	.620	.19	.310	.2500 (1/4 DIA X 1" LG DWL)
	PXM-2002	1.375		1.350	1.970						.675					
PLF-0003 (2 REQ'D)	PXM-1003	.875	3.0000	.850	1.950	1.0000	1.370	3/8-16 X 1	.688	.375	.425	.375	.745	.19	.550	.3750 (3/8 DIA X 1 1/4 LG DWL)
	PXM-2003	1.375		1.350	2.450						.675					
PLF-0004 (2 REQ'D)	PXM-2004	1.375	4.0000	1.350	2.890	1.3750	1.870	3/8-16 X 1	.875	.625	.675	.625	.745	.50	.770	.3750 (3/8 DIA X 1 1/4 LG DWL)
	PXM-3004	1.875		1.850	3.390						.925					
PLF-0005 (2 REQ'D)	PXM-2005	1.375	5.0000	1.350	2.890	1.7500	1.870	1/2-13 X 1 1/4	.875	.750	.675	.750	1.120	.50	.770	.5000 (1/2 DIA X 2" LG DWL)
	PXM-3005	1.875		1.850	3.390						.925					

NOTE: (2) socket head cap screws and (1) dowel of the size and length indicated in the chart are included with each X-Style interlock. Additionally, (2) socket head cap screws of the size and length indicated in the chart are included with each female interlock.

