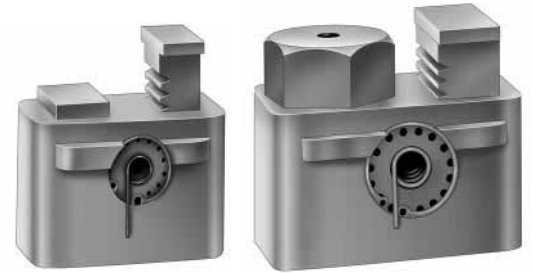


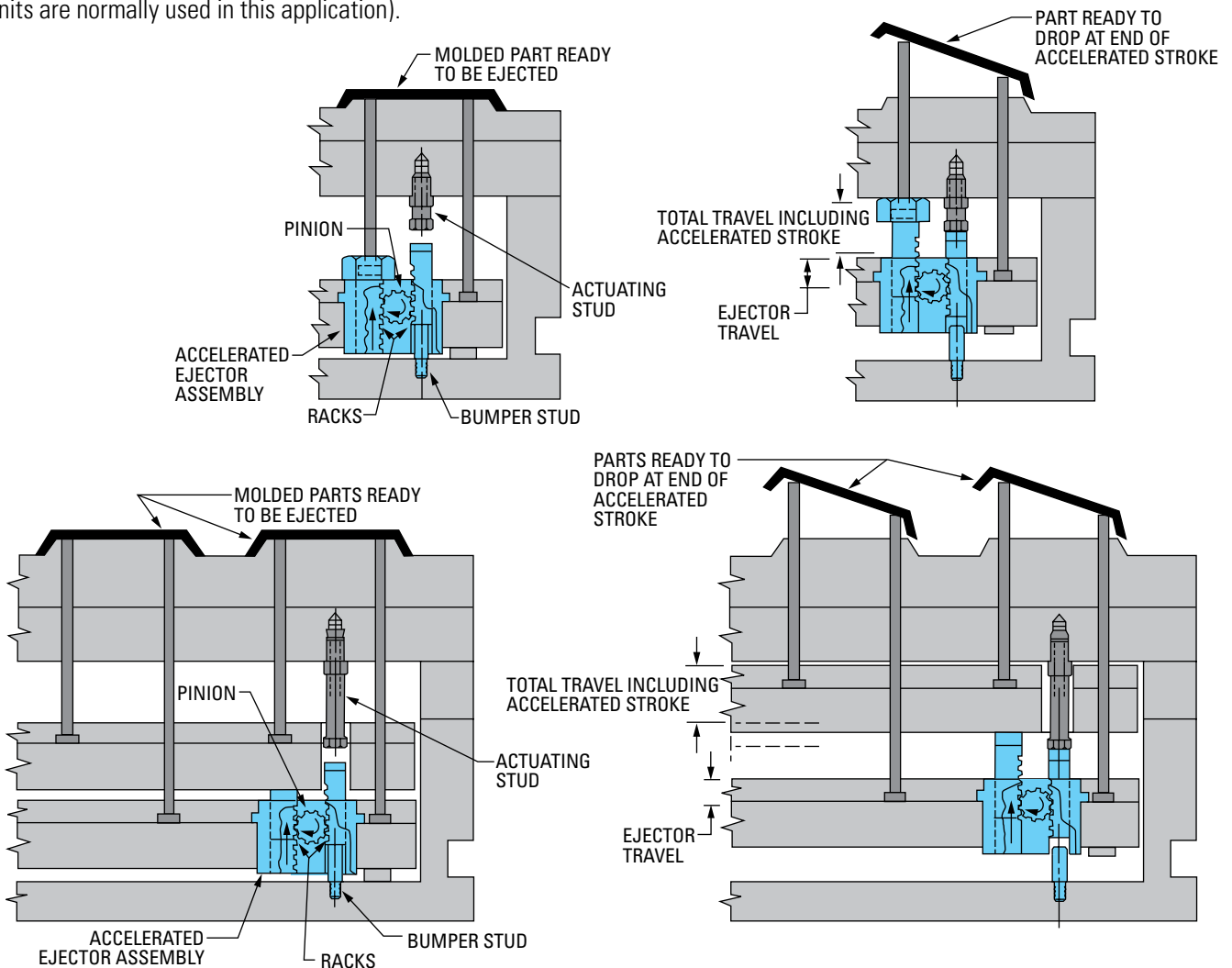
# Accelerated Ejectors – General Information

D-M-E Accelerated Ejectors use a rack and pinion mechanism to provide up to 5/8" additional ejector stroke. Their simple, linear movement can be used to increase the speed and stroke of ejector pins, ejector sleeves or entire ejector assemblies. The flanges and rounded corners on these units facilitate installation within the ejector assembly. The rectangular cross-section of the racks prevents them from rotating. Included with each unit is a bumper stud, which ensures positive return of the racks when the ejector assembly is fully returned.



U.S. Patent No. 3,893,644

D-M-E Accelerated Ejectors are available in two sizes (small or regular) and two types (pin or bumper). The pin type units are used for individual ejector pin acceleration (one unit per pin). Bumper type units are used for accelerating the entire upper ejector assembly in a dual ejector assembly mold (a minimum of four units are normally used in this application).

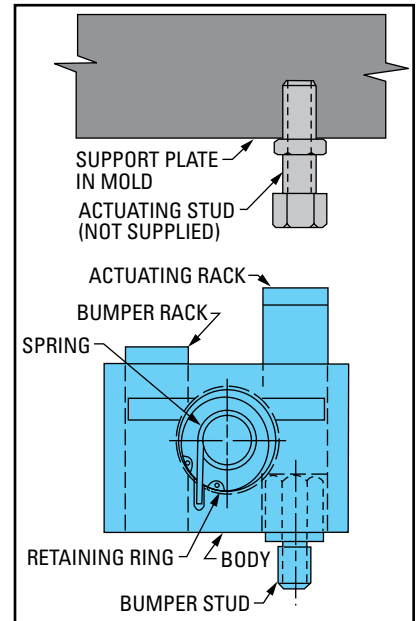


ITEM NUMBER	DESCRIPTION	USED WITH PLATE THICKNESS		EJECTOR PIN DIAMETER (MAXIMUM)
		EJECTOR PLATE	EJECTOR RETAINER PLATE	
AEP-10	PIN TYPE – SMALL	1"	1/2	1/4
AEP-20	PIN TYPE – REGULAR	1 1/8	1/2 OR 5/8	1/2
AEB-10	BUMPER TYPE – SMALL	1"	1/2	—
AEB-20	BUMPER TYPE – REGULAR	1 1/8	1/2 OR 5/8	—

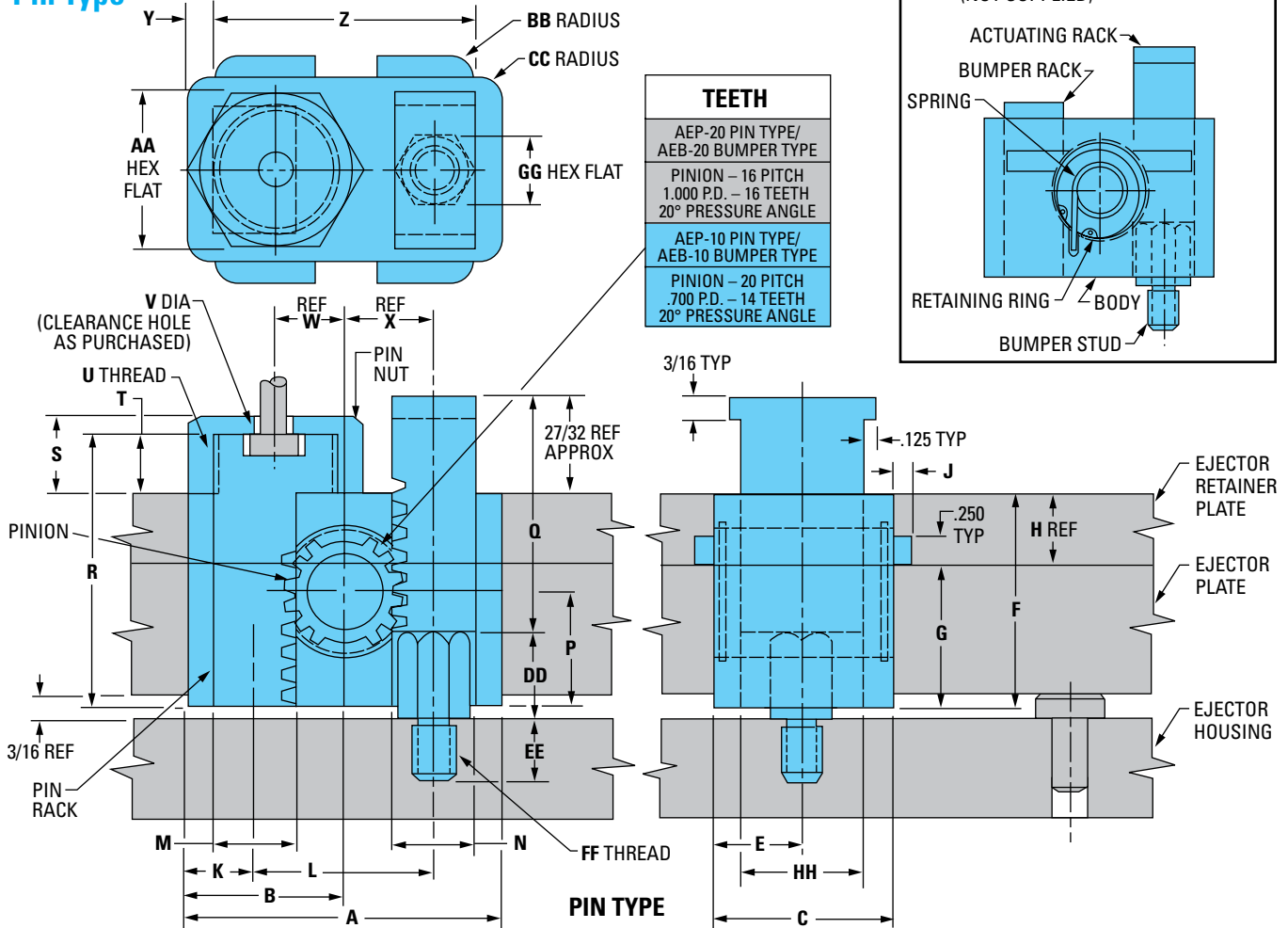
# Accelerated Ejectors – General Information

- Stroke for all units = 5/8 maximum
- Keep pinion lubricated
- Do not use with opposing spring pressure

## Bumper Type



## Pin Type



## Accelerated Ejector Dimensions

ITEM NUMBER	A	B	C	E	F	G	H	J	K	L	M	N	P	Q	R
AEP-10 • PIN TYPE	+0.000 -0.002	+0.000 -0.002	+0.000 -0.002	9/16	1.600	1.100	1/2	±.002 .125	.510	1.103	1/2	1/2	1.030	1.783	2.025
AEB-10 • BUMPER TYPE	2.125	1.062	1.125												—
AEP-20 • PIN TYPE	+0.000 -0.004	+0.000 -0.002	+0.000 -0.002	13/16	17/8	1 1/4	5/8	±.002 .187	5/8	1 5/8	3/4	3/4	1.016	2 1/16	2 3/8
AEB-20 • BUMPER TYPE	2.875	1.437	1.625												—

ITEM NUMBER	S	T	U	V	W	X	Y	Z	AA	BB	CC	DD	EE	FF	GG	HH
AEP-10 • PIN TYPE	.550	.425	5/8-18	1/8	.491	.551	.250	1.625	15/16	1/4	1/4	3/4	3/8	5/16-18	3/8	5/8
AEB-10 • BUMPER TYPE	—	—	—	—	—	—	—	—	—	—	—	—	—	—	—	—
AEP-20 • PIN TYPE	.680	1/2	1 1/8-12	1/4	5/8	13/16	.250	2.375	1 3/8	3/16	1/4	.72	1/2	3/8-16	9/16	1 1/8
AEB-20 • BUMPER TYPE	—	—	—	—	—	—	—	—	—	—	—	—	—	—	—	—