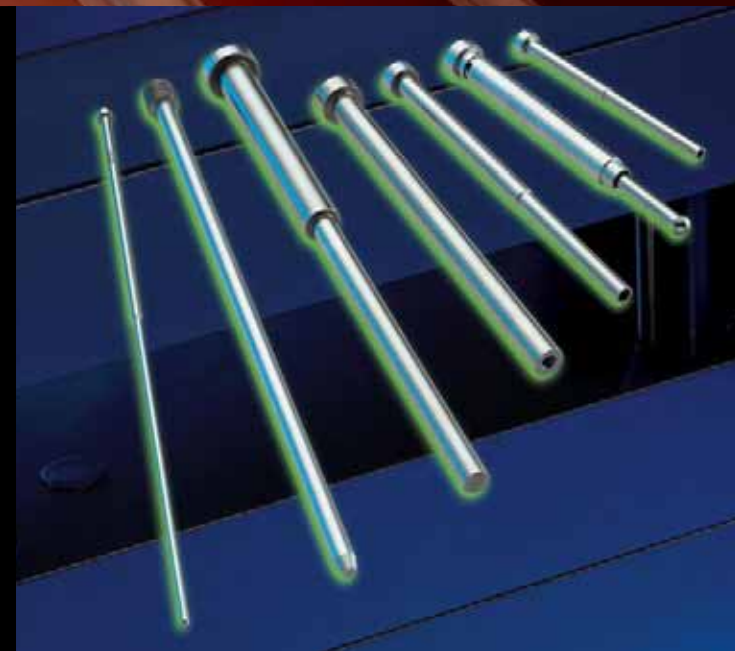




D-M-E Special Pins and Sleeves

RAPID DELIVERY,
COST-EFFECTIVE
SOLUTIONS



Special Pins and Sleeves

Pins and Sleeves for Special Applications



Every day, challenging new applications and materials are forcing moldmakers to develop creative new tooling solutions. D-M-E is here to help, with comprehensive capabilities for manufacturing special pins and sleeves – quickly and cost-effectively. We offer a wide range of custom features, including:

- Custom diameters (up to 3”) and lengths (up to 72”)
- Steps
- Profiles
- Custom shoulders
- O-ring grooves
- Non-standard core hardness
- Flats
- Threaded I.D. or O.D.
- Non-standard materials (non H-13)
- Surface coatings – more than 100 available, including titanium nitriding, chromium, etc.
- And many other options

Quick Custom pins

Our new Quick Custom pins program covers a wide range of custom pin configurations with standard heads in any pin diameter. The D-M-E Quick Custom program includes over 7,500 options (the most common custom pins) and features *immediate pricing and shipment in 5 working days or less*. New applications are being added daily, so please contact D-M-E directly to learn more about the offerings in the Quick Custom program.

Full Custom pins and sleeves

If your needs are more complex, or if you need special sleeves, contact D-M-E for a Full Custom quote. Even when you select a Full Custom pin or sleeve, you still get the industry's *fastest pricing and delivery* at a competitive price.

Industry-leading delivery lead times

You can count on D-M-E delivery for your special pin and sleeve needs. Quick Custom pins *ship in 5 working days or less*. For Full Custom pins and sleeves, your D-M-E representative can provide you with a precise completion date for your project – a date D-M-E guarantees.

Pins and Sleeves for Special Applications

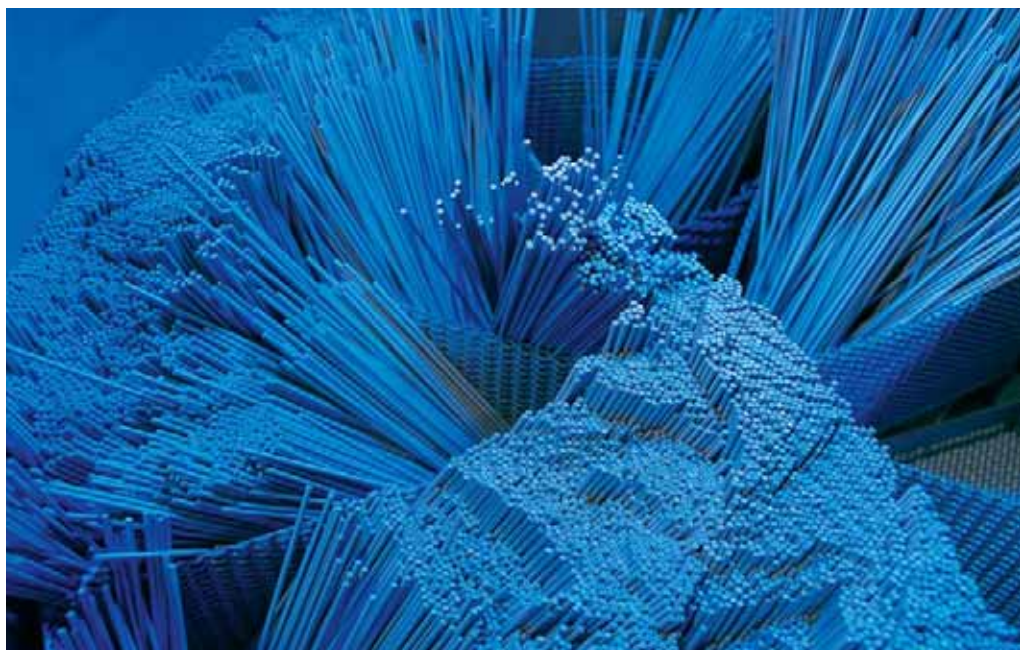
Complex part geometries, thin-wall molding, family molds, high-cavitation molds, increasingly large parts – every day, challenging new applications and materials are forcing moldmakers to develop creative new tooling solutions. D-M-E offers comprehensive capabilities for manufacturing special pins and sleeves – quickly and cost-effectively.

Quality you can count on

D-M-E starts with only the best materials for its pins and sleeves. Our proprietary hot forging technology and nitriding guarantees the finest finished components. The industry's finest surface finish provides low-friction performance for long service life.

Need innovation? Choose D-M-E.

For over seven decades, moldmakers, molders and designers have trusted D-M-E for innovative, reliable solutions to their needs. Nobody beats D-M-E for quality products, quality service and quick delivery. D-M-E delivers your special pin and sleeve needs.



D-M-E Quick Custom Pins

Cover a wide range of applications with shipment in 5 working days or less

D-M-E's Quick Custom series of pins meet the needs of many common special pin applications – with the shortest lead time in the industry. The Quick Custom pins program covers an extensive collection of our most frequently requested special pins. To see if your application is offered in the D-M-E Quick Custom pin program, just check the list below. Then contact D-M-E and we can quote your application and take your order immediately.

Straight pins

- L dimensions from 2" to 14" (overall length)
- Ø D dimensions from .0320" to 1" (pin diameter)
- All standard H dimensions (head diameter)
- All standard K dimensions (head thickness)
- H-13 material
 - Standard D-M-E C pin material
 - Standard D-M-E CX pin material
 - Standard D-M-E EX pin material
 - Standard D-M-E THX pin material

Step pins

- E dimension of .125" (shoulder diameter)
- All standard H dimensions (head diameter)
- All standard K dimensions (head thickness)
- S dimensions – standard 1/2" or 2", or customer specified shoulder length
- L dimensions from 2" to 14" (overall length)
- Ø D dimensions from .0320" to .1094" (pin diameter)
- H-13 material
 - Standard D-M-E C pin material
 - Standard D-M-E CX pin material
 - Standard D-M-E EX pin material
 - Standard D-M-E THX pin material



Quick Custom Pins – Faxable Quote Form

QUOTE FAX HOTLINES or visit www.dme.net

United States: 888-808-4363 • Canada: 800-461-9965 • International: 248-398-7394

Custom Pins

Quantity: _____

Choose a pin type:

- EX** (35 HRC - 43 HRC core hardness with 65 HRC - 70 HRC case hardness)
- THX** (50 HRC - 55 HRC core hardness with 65 HRC - 70 HRC case hardness)
- CX** (50 HRC - 55 HRC through hard)
- C** (30 HRC - 35 HRC through hard)

Material H-13

Other _____

Hardness _____ RC

Nitrided Yes No

Comments _____

Custom Sleeves

Quantity: _____

Nitride on OD

Nitride on OD + ID

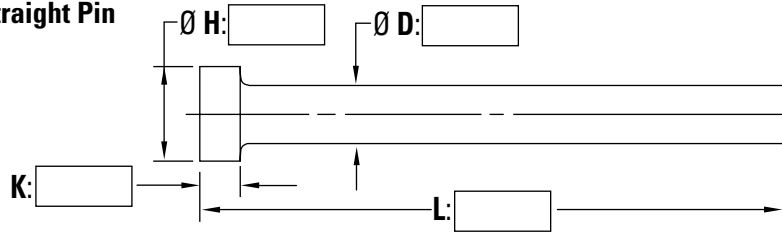
Material H-13

Other _____

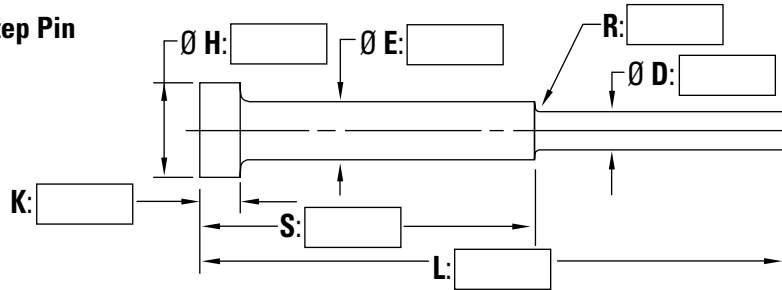
Hardness _____ RC

Comments _____

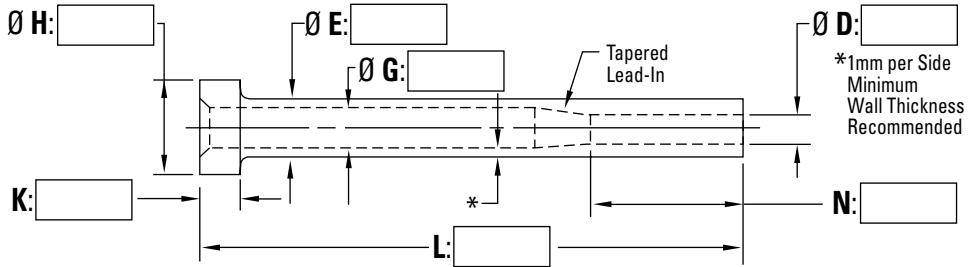
Straight Pin



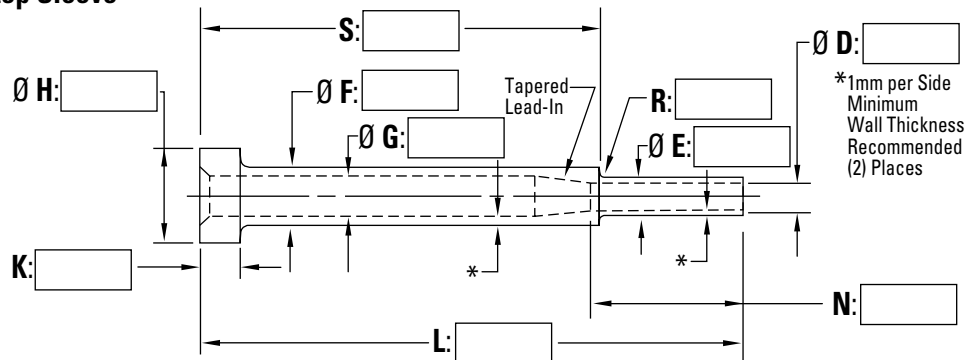
Step Pin



Sleeve



Step Sleeve



Company name: _____	D-M-E account #: _____
Contact name: _____	P.O. #: _____
Phone: _____	FAX: _____
Address: _____	E-mail: _____
City: _____	State/Province: _____
ZIP/Postal Code: _____	Country: _____

Shipping method:

- UPS Ground
- UPS 2nd Day Air
- UPS Next Day
- FedEx
- Other _____

Special Pins and Sleeves | Quick Custom Pins – Faxable Quote Form