

# Special Guide Pins – Faxable Quote Form

**QUOTE FAX HOTLINES** or visit [www.dme.net](http://www.dme.net)

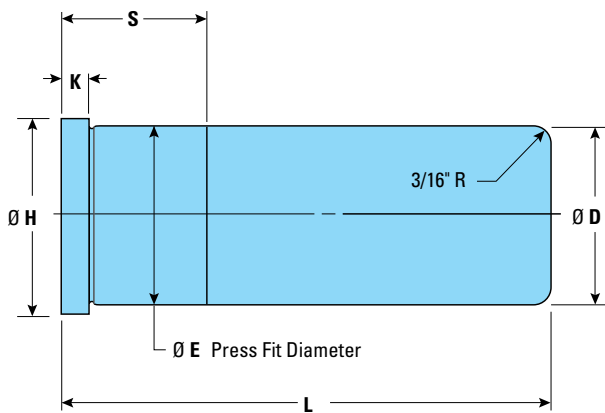
**United States 888-808-4363 • Canada 800-461-9965 • International 248-398-7394**

Company name:	D-M-E account #:
Contact name:	P.O. #:
Phone:	FAX:
Address:	E-mail:
City:	State/Province:
ZIP/Postal Code:	Country:

**Shipping method:**

- UPS Ground
- UPS 2nd Day Air
- UPS Next Day
- FedEx
- Other \_\_\_\_\_

## Straight Guide Pins

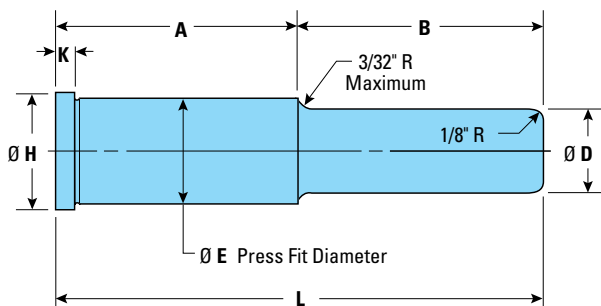


	Standard Dimensions (Circle Yes or No)		Requested Dimensions*	Inch Tolerances (Standard)
Ø D	Yes	No		+0.0000 -0.0005
Ø E	Yes	No		+0.0005 -0.0000
S	Yes	No		+0.00 -0.06
Ø H	Yes	No		+0.00 -0.03
L	Yes	No		+0.00 -0.06
K	Yes	No		+0.003 -0.005

\*All requested dimensions must be specified for quoting.

**Quantity:** \_\_\_\_\_ **Pieces**

## Shoulder Guide Pins



	Standard Dimensions (Circle Yes or No)		Requested Dimensions*	Inch Tolerances (Standard)
Ø D	Yes	No		+0.0000 -0.0005
Ø E	Yes	No		+0.0005 -0.0000
A	Yes	No		+0.00 -0.03
B	Yes	No		+0.00 -0.03
Ø H	Yes	No		+0.00 -0.01
L	Yes	No		+0.00 -0.06
K	Yes	No		+0.003 -0.005

\*All requested dimensions must be specified for quoting.

**Quantity:** \_\_\_\_\_ **Pieces**

# Metric Equivalents and Conversions

## Equivalents: Inch, fraction, decimal, millimeter

INCHES	MILLIMETERS	INCHES	MILLIMETERS
1	25.4	34	863.6
2	50.8	35	889.0
3	76.2	36	914.4
4	101.6	37	939.8
5	127.0	38	965.2
6	152.4	39	990.6
7	177.8	40	1016.0
8	203.2	41	1041.4
9	228.6	42	1066.8
10	254.0	43	1092.2
11	279.4	44	1117.6
12	304.8	45	1143.0
13	330.2	46	1168.4
14	355.6	47	1193.8
15	381.0	48	1219.2
16	406.4	49	1244.6
17	431.8	50	1270.0
18	457.2	51	1295.4
19	482.6	52	1320.8
20	508.0	53	1346.2
21	533.4	54	1371.6
22	558.8	55	1397.0
23	584.2	56	1422.4
24	609.6	57	1447.8
25	635.0	58	1473.2
26	660.4	59	1498.6
27	685.8	60	1524.0
28	711.2	61	1549.4
29	736.6	62	1574.8
30	762.0	63	1600.2
31	787.4	64	1625.6
32	812.8	65	1651.0
33	838.2	66	1676.4

INCHES		MILLIMETERS	INCHES		MILLIMETERS
1/64	0.015625	0.396875	33/64	0.515625	13.096875
1/32	0.031250	0.793750	17/32	0.531250	13.493750
3/64	0.046875	1.190625	35/64	0.546875	13.890625
1/16	0.062500	1.587500	9/16	0.562500	14.287500
5/64	0.078125	1.984375	37/64	0.578125	14.684375
3/32	0.093750	2.381250	19/32	0.593750	15.081250
7/64	0.109375	2.778125	39/64	0.609375	15.478125
1/8	0.125000	3.175000	5/8	0.625000	15.875000
9/64	0.140625	3.571875	41/64	0.640625	16.271875
5/32	0.156250	3.968750	21/32	0.656250	16.668750
11/64	0.171875	4.365625	43/64	0.671875	17.065625
3/16	0.187500	4.762500	11/16	0.687500	17.462500
13/64	0.203125	5.159375	45/64	0.703125	17.859375
7/32	0.218750	5.556250	23/32	0.718750	18.256250
15/64	0.234375	5.953125	47/64	0.734375	18.653125
1/4	0.250000	6.350000	3/4	0.750000	19.050000
17/64	0.265625	6.746875	49/64	0.765625	19.446875
9/32	0.281250	7.143750	25/32	0.781250	19.843750
19/64	0.296875	7.540625	51/64	0.796875	20.240625
5/16	0.312500	7.937500	13/16	0.812500	20.637500
21/64	0.328125	8.334375	53/64	0.828125	21.034375
11/32	0.343750	8.731250	27/32	0.843750	21.431250
23/64	0.359375	9.128125	55/64	0.859375	21.828125
3/8	0.375000	9.525000	7/8	0.875000	22.225000
25/64	0.390625	9.921875	57/64	0.890625	22.621875
13/32	0.406250	10.318750	29/32	0.906250	23.018750
27/64	0.421875	10.715625	59/64	0.921875	23.415625
7/16	0.437500	11.112500	15/16	0.937500	23.812500
29/64	0.453125	11.509375	61/64	0.953125	24.209375
15/32	0.468750	11.906250	31/32	0.968750	24.606250
31/64	0.484375	12.303125	63/64	0.984375	25.003125
1/2	0.500000	12.700000	1	1.000000	25.400000

## Equivalents: Decimal, millimeter

INCHES	MILLIMETERS	INCHES	MILLIMETERS	INCHES	MILLIMETERS
0.001	0.0254	0.01	0.254	0.1	2.54
0.002	0.0508	0.02	0.508	0.2	5.08
0.003	0.0762	0.03	0.762	0.3	7.62
0.004	0.1016	0.04	1.016	0.4	10.16
0.005	0.1270	0.05	1.270	0.5	12.70
0.006	0.1524	0.06	1.524	0.6	15.24
0.007	0.1778	0.07	1.778	0.7	17.78
0.008	0.2032	0.08	2.032	0.8	20.32
0.009	0.2286	0.09	2.286	0.9	22.86

## Measurement conversions

MULTIPLY BY	FROM	→	TO	MULTIPLY BY
	←	←	←	
0.03937	inch	→	millimeter	25.4
0.0016	inch <sup>2</sup>	→	millimeter <sup>2</sup>	645.16
0.061	inch <sup>3</sup>	→	centimeter <sup>3</sup>	16.3871
0.2642	gallon (U.S.)	→	liter	3.7854
0.03527	oz. (avdp.)	→	gram	28.3495
2.2044	pound	→	kilogram	0.4536
62.43	lbs/ft <sup>3</sup>	→	g/cm <sup>3</sup>	0.0160
0.145	psi	→	kPa	6.8948
14.2247	psi	→	kg/cm <sup>2</sup>	0.0703
1.8°C + 32	°F	→	°C	(°F-32)/1.8