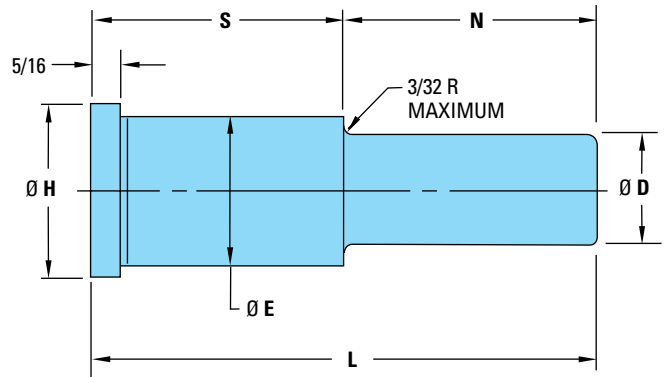


Shoulder Guide Pins – Hardened and Precision Ground

Shoulder Guide Pins – A-GL, C-GL, D-GL

Hardened and Precision Ground

D-M-E Standard Shoulder Pins are precision made of high-quality steel and are hardened and finished ground to close tolerances. This combination enables moldmakers to line-bore the guide pin and bushing hole.



General Dimensions

NOMINAL DIA	Ø D ^{+0.000} / _{-0.005}	Ø E ^{+0.005} / _{-0.000}	Ø H ^{+0.000} / _{-0.010}
3/4	.749	1.126	1.228
1"	.999	1.376	1.510
1 1/4	1.249	1.626	1.791

S ^{+0.00} / _{-0.03}	N ^{+0.00} / _{-0.03}	L ^{+0.00} / _{-0.06}	Ø D = 3/4 DIA	Ø D = 1" DIA	Ø D = 1 1/4 DIA
			ITEM NUMBER	ITEM NUMBER	ITEM NUMBER
7/8	7/8	1 3/4	A-0707-GL	—	—
	1 3/8	2 1/4	A-0713-GL	C-0713-GL	—
	1 7/8	2 3/4	A-0717-GL	C-0717-GL	—
	2 3/8	3 1/4	A-0723-GL	—	—
	2 7/8	3 3/4	A-0727-GL	C-0727-GL	—
1 3/8	7/8	2 1/4	A-1307-GL	C-1307-GL	—
	1 3/8	2 3/4	A-1313-GL	C-1313-GL	D-1313-GL
	1 7/8	3 1/4	A-1317-GL	C-1317-GL	—
	2 3/8	3 3/4	A-1323-GL	C-1323-GL	D-1323-GL
	2 7/8	4 1/4	A-1327-GL	C-1327-GL	—
1 7/8	3 3/8	4 3/4	A-1333-GL	C-1333-GL	D-1333-GL
	7/8	2 3/4	A-1707-GL	C-1707-GL	—
	1 3/8	3 1/4	A-1713-GL	C-1713-GL	D-1713-GL
	1 7/8	3 3/4	A-1717-GL	C-1717-GL	D-1717-GL
	2 3/8	4 1/4	A-1723-GL	C-1723-GL	D-1723-GL
2 3/8	2 7/8	4 3/4	A-1727-GL	C-1727-GL	D-1727-GL
	3 3/8	5 1/4	A-1733-GL	C-1733-GL	D-1733-GL
	3 7/8	5 3/4	A-1737-GL	C-1737-GL	D-1737-GL
	7/8	3 1/4	A-2307-GL	—	—
	1 3/8	3 3/4	A-2313-GL	C-2313-GL	D-2313-GL
2 3/8	1 7/8	4 1/4	A-2317-GL	C-2317-GL	D-2317-GL
	2 3/8	4 3/4	A-2323-GL	C-2323-GL	D-2323-GL
	2 7/8	5 1/4	A-2327-GL	C-2327-GL	D-2327-GL
	3 3/8	5 3/4	—	C-2333-GL	D-2333-GL
	3 7/8	6 1/4	A-2337-GL	C-2337-GL	D-2337-GL

NOTE: Grooved guide pins also available on special order.

All items in stock.

S ^{+0.00} / _{-0.03}	N ^{+0.00} / _{-0.03}	L ^{+0.00} / _{-0.06}	Ø D = 3/4 DIA	Ø D = 1" DIA	Ø D = 1 1/4 DIA
			ITEM NUMBER	ITEM NUMBER	ITEM NUMBER
2 7/8	1 3/8	4 1/4	A-2713-GL	C-2713-GL	—
	1 7/8	4 3/4	A-2717-GL	C-2717-GL	D-2717-GL
	2 3/8	5 1/4	A-2723-GL	C-2723-GL	D-2723-GL
	2 7/8	5 3/4	A-2727-GL	C-2727-GL	D-2727-GL
	3 3/8	6 1/4	—	C-2733-GL	D-2733-GL
3 3/8	3 7/8	6 3/4	A-2737-GL	C-2737-GL	D-2737-GL
	4 3/8	7 1/4	—	C-2743-GL	D-2743-GL
	1 7/8	5 1/4	A-3317-GL	C-3317-GL	D-3317-GL
	2 3/8	5 3/4	A-3323-GL	C-3323-GL	D-3323-GL
	2 7/8	6 1/4	—	C-3327-GL	D-3327-GL
3 7/8	3 3/8	6 3/4	A-3333-GL	C-3333-GL	D-3333-GL
	4 3/8	7 3/4	—	C-3343-GL	D-3343-GL
	2 3/8	6 1/4	A-3723-GL	C-3723-GL	D-3723-GL
	2 7/8	6 3/4	A-3727-GL	C-3727-GL	D-3727-GL
	3 3/8	7 1/4	—	—	D-3733-GL
4 3/8	3 7/8	7 3/4	—	C-3737-GL	D-3737-GL
	4 7/8	8 3/4	—	C-3747-GL	D-3747-GL
	2 7/8	7 1/4	—	C-4327-GL	D-4327-GL
	3 3/8	7 3/4	—	—	D-4333-GL
	3 7/8	8 1/4	—	C-4337-GL	D-4337-GL
4 7/8	4 3/8	8 3/4	—	C-4343-GL	—
	4 7/8	9 1/4	—	—	D-4347-GL
	3 7/8	8 3/4	—	C-4737-GL	D-4737-GL
	4 3/8	9 1/4	—	C-4743-GL	D-4743-GL
	4 7/8	9 3/4	—	C-4747-GL	D-4747-GL
5 7/8	5 7/8	10 3/4	—	—	D-4757-GL
	3 7/8	9 3/4	—	C-5737-GL	D-5737-GL
	4 3/8	10 1/4	—	—	D-5743-GL
	4 7/8	10 3/4	—	C-5747-GL	D-5747-GL
	5 7/8	11 3/4	—	C-5757-GL	D-5757-GL

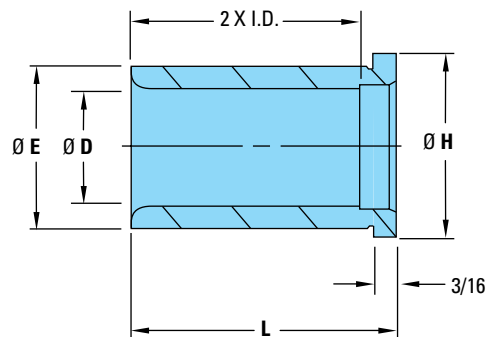
QUANTITY DISCOUNTS: Shoulder Guide Pins. Discounts apply to current Net Prices. Any combination of pins and bushings may be mixed for quantity discounts. 16 to 27 Less 10%; 28 or more Less 15%

Shoulder Bushings and Straight Bushings Hardened and Precision Ground

Shoulder Bushings

General Dimensions

NOMINAL I.D.	Ø D ^{+0.005} / _{-0.000}	Ø E ^{+0.005} / _{-0.000}	Ø H ^{+0.000} / _{-0.030}
3/4	.7505	1.1255	1.302
7/8	.8755	1.2505	1.427
1"	1.0005	1.3755	1.552
1 1/4	1.2505	1.6255	1.802
1 1/2	1.5005	2.0005	2.177



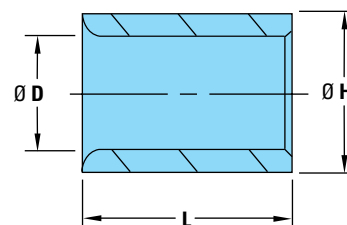
Surface Treatment: Case-hardened .030 to .040 deep

L LENGTH ^{+0.00} / _{-0.06}	Ø D = 3/4 DIA	Ø D = 7/8 DIA	Ø D = 1" DIA	Ø D = 1 1/4 DIA	Ø D = 1 1/2 DIA	L LENGTH ^{+0.00} / _{-0.06}
	.7505 ^{+0.005} / _{-0.000}	.8755 ^{+0.005} / _{-0.000}	1.0005 ^{+0.005} / _{-0.000}	1.2505 ^{+0.005} / _{-0.000}	1.5005 ^{+0.005} / _{-0.000}	
ITEM NUMBER	ITEM NUMBER	ITEM NUMBER	ITEM NUMBER	ITEM NUMBER	ITEM NUMBER	ITEM NUMBER
7/8	5700	5710	5730	5750	5770	7/8
1 3/8	5701	5711	5731	5751	5771	1 3/8
1 7/8	5702	5712	5732	5752	5772	1 7/8
2 3/8	5703	5713	5733	5753	5773	2 3/8
2 7/8	5704	5714	5734	5754	5774	2 7/8
3 3/8	5705	5715	5735	5755	5775	3 3/8
3 7/8	5706	5716	5736	5756	5776	3 7/8
4 3/8	5707	5717	5737	5757	5777	4 3/8
4 7/8	5708	5718	5738	5758	5778	4 7/8
5 7/8	5709	5720	5740	5760	5780	5 7/8

Straight Bushings

Surface Treatment: Case-hardened .030 to .040 deep

NOMINAL I.D.	Ø D ^{+0.005} / _{-0.000}	L ^{+0.00} / _{-0.06} LENGTH	Ø H ^{+0.005} / _{-0.000}	ITEM NUMBER
3/4	.7505	7/8	1.1255	5500
		1 3/8	1.1255	5501
7/8	.8755	1 3/8	1.2505	5502
1"	1.0005	1 3/8	1.3755	5503
1 1/4	1.2505	1 3/8	1.6255	5504
		1 7/8	1.6255	5505
1 1/2	1.5005	1 3/8	2.0005	5506
		1 7/8	2.0005	5507
2"	2.0005	3 7/8	2.5005	5508
2 1/2	2.5005	4 7/8	3.2505	5509
3"	3.0005	4 7/8	3.7505	5510



All items in stock.

QUANTITY DISCOUNTS: Shoulder and Straight Bushings. Discounts apply to current Net Prices. Any combination of pins and bushings may be mixed for quantity discounts. 16 to 27 Less 10%; 28 or more Less 15%

Guide Pins and Shoulder Bushings 2", 2.5" and 3" Diameter

Guide Pins – GL

Designed to satisfy the requirements of larger plastics molds and die-cast dies. They are made of the finest quality alloy steels and are hardened and precision ground.

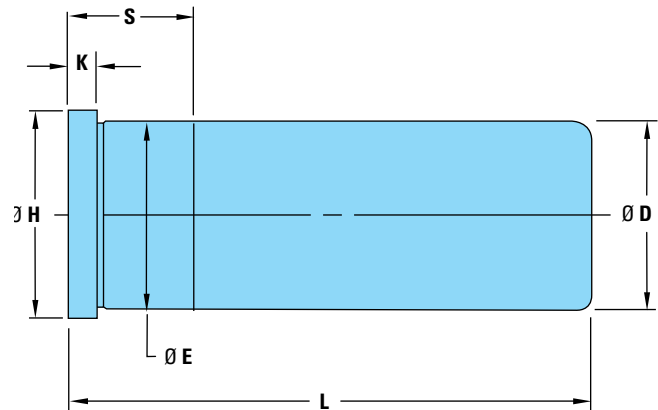
L LENGTH +.00 -.06	Ø D = 2" DIA 1.999 +.0000 -.0005		Ø D = 2½" DIA 2.499 +.0000 -.0005		Ø D = 3" DIA 2.999 +.0000 -.0005	
	S	ITEM NUMBER	S	ITEM NUMBER	S	ITEM NUMBER
5¾	17/8	5606-GL	2¾	5806-GL	—	—
6¾	17/8	5608-GL	2¾	5808-GL	—	—
7¾	17/8	5610-GL	2¾	5810-GL	—	—
8¾	17/8	5612-GL	2¾	5812-GL	27/8	6012-GL
9¾	17/8	5614-GL	2¾	5814-GL	—	—
10¾	17/8	5616-GL	2¾	5816-GL	27/8	6016-GL
11¾	17/8	5618-GL	2¾	5818-GL	—	—
12¾	17/8	5620-GL	2¾	5820-GL	27/8	6020-GL
13¾	17/8	5622-GL	2¾	5822-GL	—	—
14¾	17/8	5624-GL	2¾	5824-GL	27/8	6024-GL
15¾	17/8	5626-GL	2¾	5826-GL	—	—
16¾	2¾	5628-GL	2¾	5828-GL	27/8	6028-GL
18¾	2¾	5632-GL	2¾	5832-GL	27/8	6032-GL

NOTE: Grooved guide pins also available on special order.



General Dimensions

NOMINAL DIA	Ø D +.0000 -.0005	Ø H +.000 -.030	Ø E +.0005 -.0000	K
2"	1.999	2.240	2.001	5/16
2½"	2.499	2.740	2.501	5/16
3"	2.999	3.365	3.001	1/2

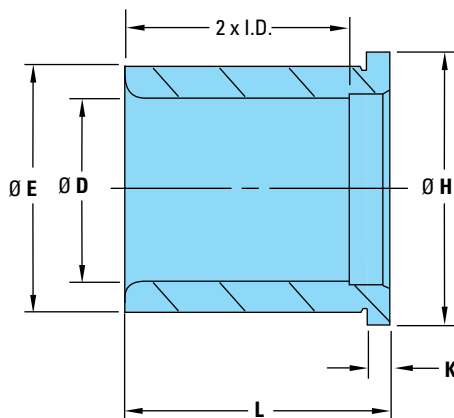


Shoulder Bushings

Made of the finest quality alloy steel. They are hardened and precision ground to reduce wear and give longer life under severe molding or die-casting conditions. The I.D. is ground to close tolerances in order to maintain a smooth, but firm, running fit with D-M-E's Standard Guide Pins.

General Dimensions

NOMINAL I.D.	Ø D +.0005 -.0000	Ø E +.0005 -.0000	Ø H +.000 -.030	K
2"	2.0005	2.5005	2.677	3/16
2½"	2.5005	3.2505	3.427	3/16
3"	3.0005	3.7505	3.990	1/2



Surface Treatment: Case-hardened .030 to .040 deep

L LENGTH +.00 -.06	Ø D = 2" I.D. 2.0005 +.0005 -.0000	Ø D = 2½" I.D. 2.5005 +.0005 -.0000	Ø D = 3" I.D. 3.0005 +.0005 -.0000
	ITEM NUMBER	ITEM NUMBER	ITEM NUMBER
1¾	5901	5951	—
17/8	5902	5952	—
2¾	5903	5953	—
27/8	5904	5954	—
3¾	5905	5955	—
37/8	5906	5956	5976
4¾	5907	5957	—
47/8	5908	5958	5978
57/8	5910	5960	5980
77/8	—	—	5984

All items in stock.