

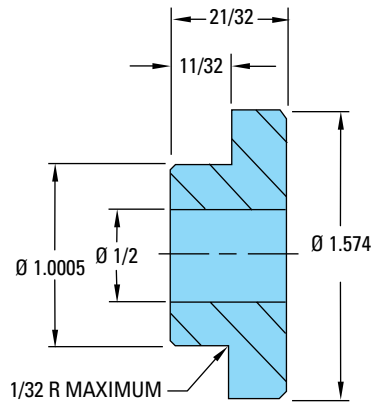
# Mold Parts for 34R Mold Assemblies

## Locating Rings

The large diameter of the locating ring is ground to close tolerances to mate with the platens of the Arburg C/4b Press.



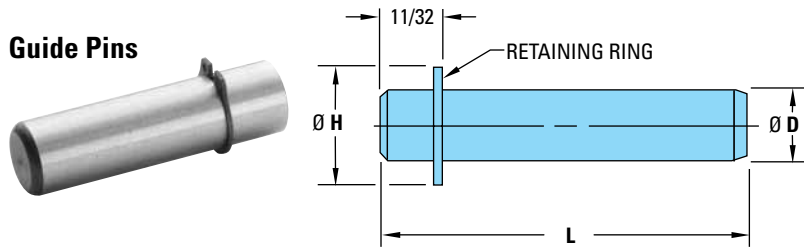
ITEM NUMBER
6534



## Guide Pins and Shoulder Bushings

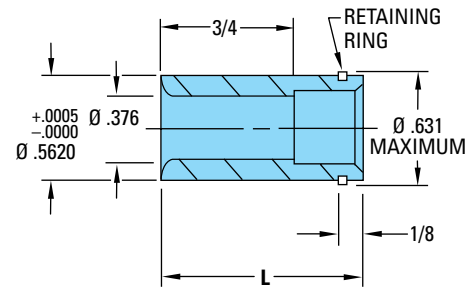
Designed specifically to suit the 34R Series Mold Base. They are made of the finest quality steels and are hardened and precision ground.

### Guide Pins



$\varnothing D$ +0.003 -0.000	$\varnothing H$ (MAX)	$L$ +0.00 -0.03	ITEM NUMBER
.375	.610	1 <sup>3</sup> / <sub>8</sub>	4900
	.610	1 <sup>5</sup> / <sub>8</sub>	4901
	.610	2"	4902
	.610	2 <sup>1</sup> / <sub>4</sub>	4903
	.610	2 <sup>1</sup> / <sub>2</sub>	4904
	.610	3"	4906
.500	.740	1 <sup>3</sup> / <sub>8</sub>	4922

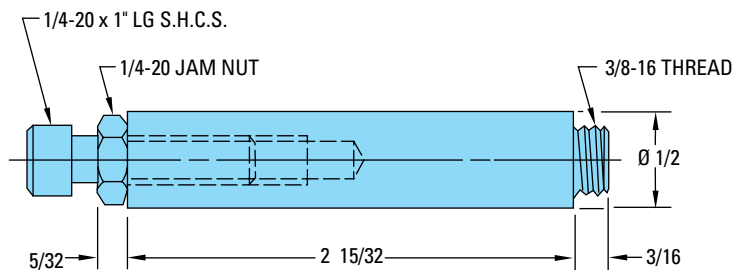
### Shoulder Bushings



$L$ +0.00 -0.03	ITEM NUMBER
7/8	4802
1 <sup>1</sup> / <sub>8</sub>	4804
1 <sup>3</sup> / <sub>8</sub>	4806

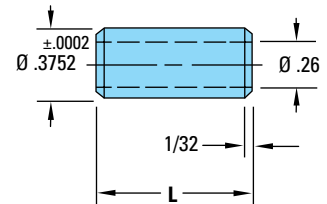
## Adjustable Knock-Out Rods

ITEM NUMBER
K-10



## Tubular Dowels – for 34R Mold Bases

Hardened and precision ground to close tolerances.



NOMINAL DIA	L
3/8	3/8
	7/8

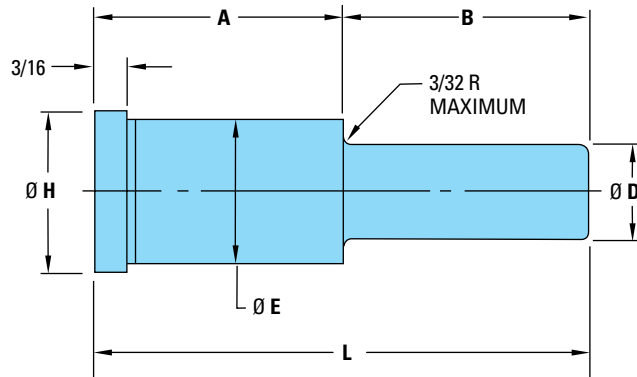
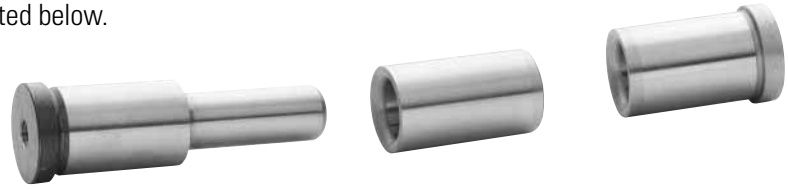
**WHEN ORDERING, PLEASE SPECIFY:**  
 1. Quantity  
 2. Nominal Diameter  
 3. Length

# Shoulder Guide Pins and Bushings for 45R, 56N, 58N, 56U, 58U and 68SH Mold Assemblies

## Shoulder Guide Pins

Shoulder diameter is of the same size and tolerance to match with the O.D. of Standard D-M-E Shoulder Bushings listed below.

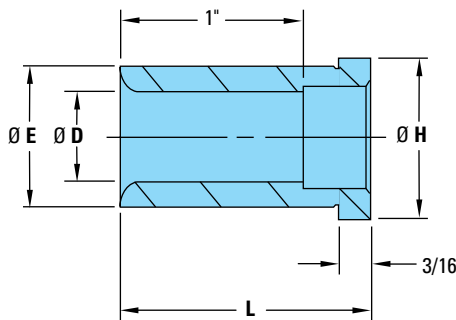
A +.00 -.03	B +.00 -.03	L +.00 -.06	Ø D = 1/2 DIA		Ø D = 17/32 DIA	
			ITEM NUMBER	ITEM NUMBER	ITEM NUMBER	ITEM NUMBER
7/8	7/8	1 3/4	S-0707GL	T-0707GL		
	1 3/8	2 1/4	S-0713GL	T-0713GL		
	1 7/8	2 3/4	S-0717GL	T-0717GL		
	2 3/8	3 1/4	S-0723GL	T-0723GL		
1 3/8	7/8	2 1/4	S-1307GL	T-1307GL		
	1 3/8	2 3/4	S-1313GL	T-1313GL		
	1 7/8	3 1/4	S-1317GL	T-1317GL		
1 7/8	7/8	2 3/4	S-1707GL	T-1707GL		
	1 3/8	3 1/4	S-1713GL	T-1713GL		
	1 7/8	3 3/4	S-1717GL	T-1717GL		
2 3/8	7/8	3 1/4	S-2307GL	T-2307GL		
2 7/8	1 3/8	4 1/4	S-2713GL	T-2713GL		
	—	—	—	—		



### General Dimensions

NOMINAL DIA	Ø D +.0000 -.0005	Ø E +.0005 -.0000	Ø H (MAX)
1/2	.499	.751	.853
17/32	.530	.751	.853

## Shoulder Bushings



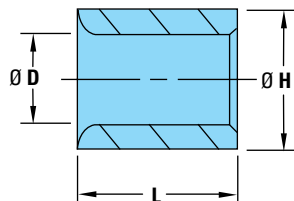
L +.00 -.06	Ø D = 1/2 DIA		Ø D = 17/32 DIA	
	ITEM NUMBER	ITEM NUMBER	ITEM NUMBER	ITEM NUMBER
7/8	S-5690	T-5690		
1 3/8	S-5691	T-5691		
1 7/8	S-5692	T-5692		
2 3/8	S-5693	T-5693		

Made of the finest quality steel, hardened and precision ground to reduce wear and give longer life.

### General Dimensions

NOMINAL I.D.	Ø D +.0005 -.0000	Ø E +.0005 -.0000	Ø H (MAX)
1/2	.500	.7505	.853
17/32	.531	.7505	.853

## Straight Bushings



L +.00 -.06	Ø D = 1/2 DIA		Ø D = 17/32 DIA	
	ITEM NUMBER	ITEM NUMBER	ITEM NUMBER	ITEM NUMBER
7/8	S-5498	T-5498		
1 3/8	S-5499	T-5499		