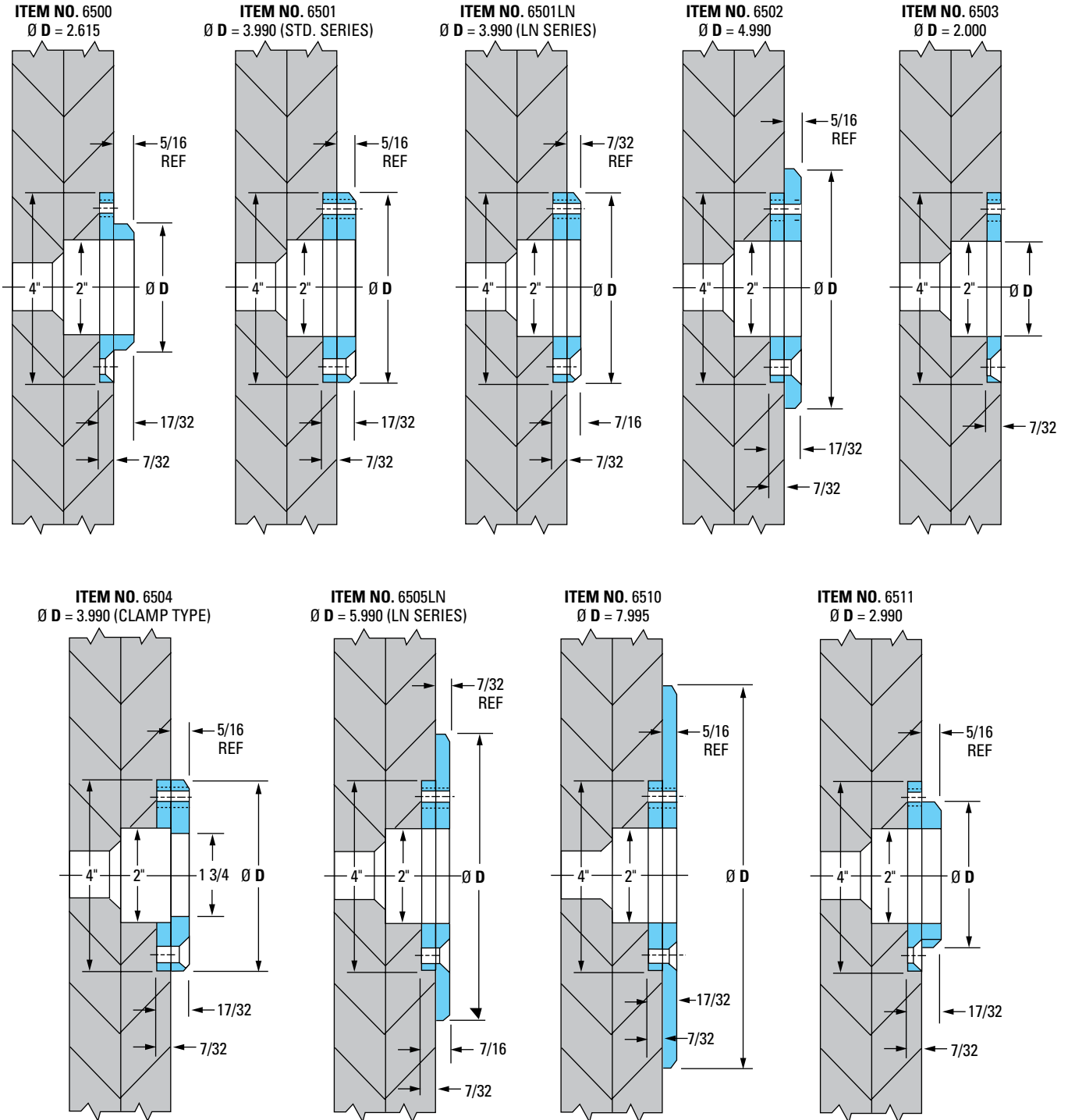


Locating Rings for Plastic Molds

Locating Rings 6521 and 6524 are supplied with two 5/16-18 Socket Head Cap Screws. All other Locating Rings supplied with two 5/16-18 Flat Head Screws.

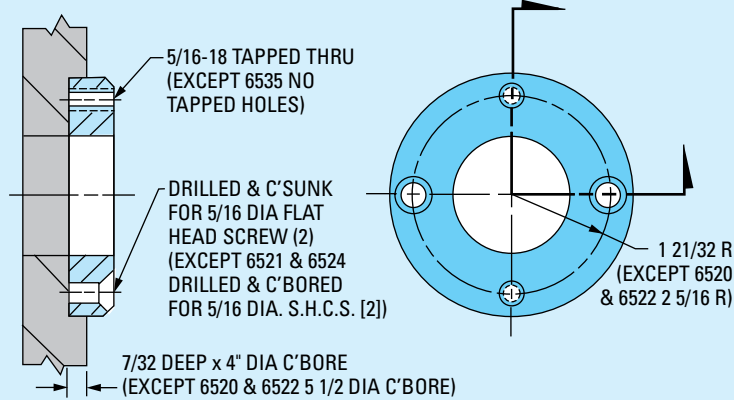


Mold Components – INCH | Locating Rings for Plastic Molds

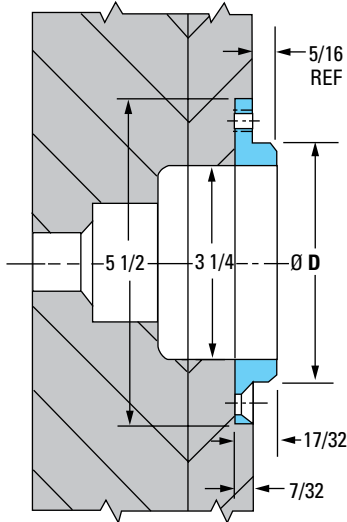


Locating Rings for Plastic Molds

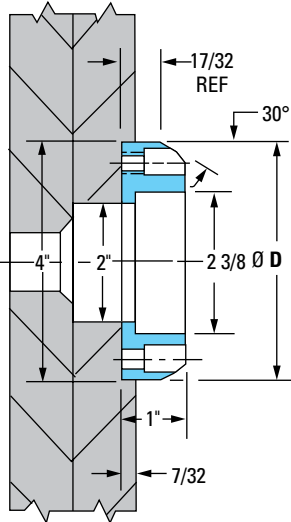
Dimensions as mounted on standard molds



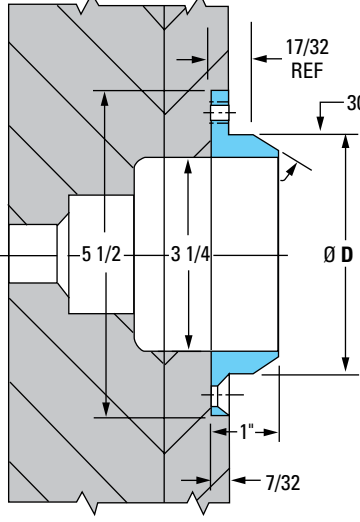
ITEM NO. 6520 Ø D = 3.990 (EXTENSION NOZZLE TYPE)



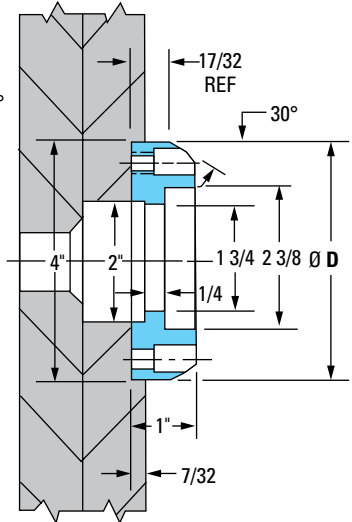
ITEM NO. 6521 Ø D = 3.990 (STANDARD SERIES EXTRA LEAD IN)



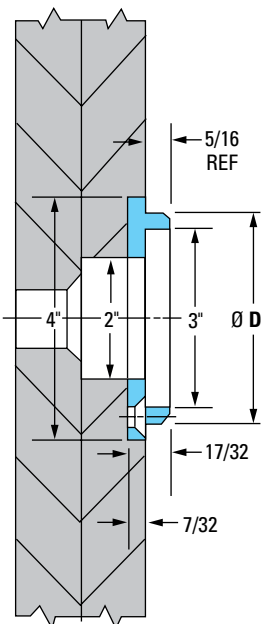
ITEM NO. 6522 Ø D = 3.990 (EXTENSION NOZZLE TYPE EXTRA LEAD IN)



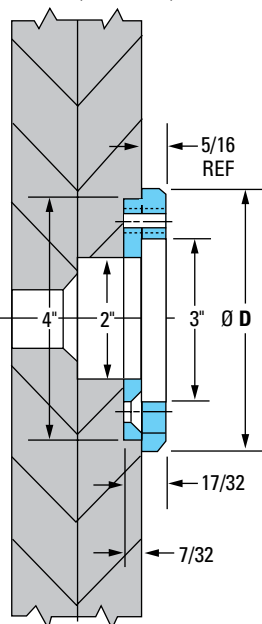
ITEM NO. 6524 Ø D = 3.990 (CLAMP TYPE EXTRA LEAD IN)



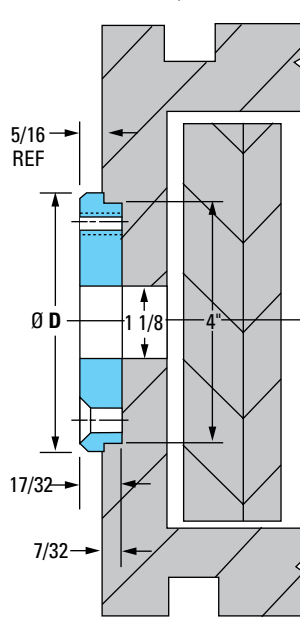
ITEM NO. 6535 Ø D = 3.541



ITEM NO. 6536 Ø D = 4.331 (TOP RING)



ITEM NO. 6537 Ø D = 4.331 (BOTTOM RING)



Locating Ring Options

ITEM NUMBER	Ø D	DESCRIPTION
6500	2.615	
6501	3.990	STANDARD SERIES
6501 LN	3.990	LN SERIES
6502	4.990	
6503	2.000	
6504	3.990	CLAMP TYPE
6505 LN	5.990	LN SERIES
6510	7.995	
6511	2.990	
6520	3.990	EXTENSION NOZZLE TYPE
6521	3.990	STANDARD SERIES
6522	3.990	EXTENSION NOZZLE TYPE
6524	3.990	CLAMP TYPE
6534**	1.574	TOP AND BOTTOM RING
6535	3.541	
6536	4.331	TOP RING
6537	4.331	BOTTOM RING
6541*	3.990	STANDARD SERIES
6542*	3.990	CLAMP TYPE

* For use with high-temperature insulator sheets.
 ** For use with 3.5 x 3.75 Arburg Mold Bases.