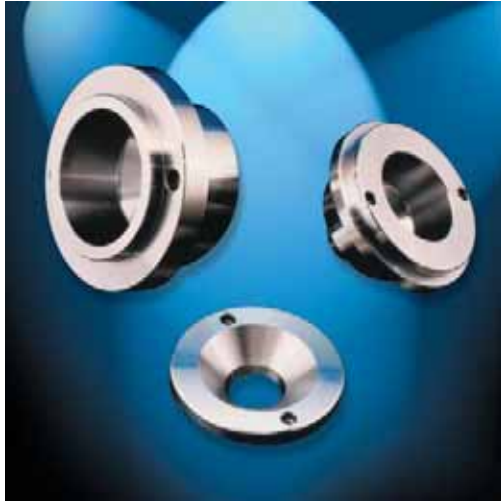


# 3-Plate Extension Bushings



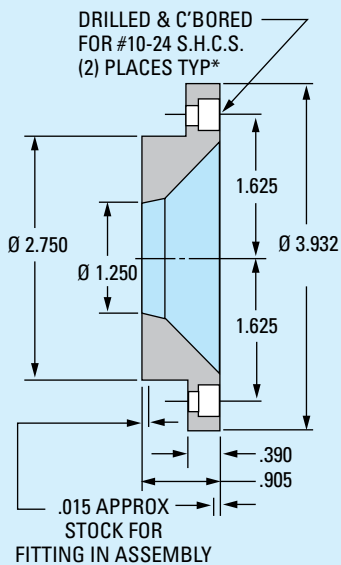
## For use with "T-Series" 3-Plate Mold Bases

These 3-plate extension bushings can save material, reduce cycle time and help prevent runner hang-ups in 3-plate molds.

- Reduces sprue length to save material, reduce cycle time and aid in the ejection of the runner from the mold
- Easier, faster installation than competitive bushings ... all grinding for final fit is on flat surfaces with no I.D. or O.D. angles to grind
- More sizes than competitive bushings to suit more applications
- Made from AISI 4140 steel, hardened to 28-32 HRC

### Runner Stripper Plate Bushing

ITEM NO. TEB-0001



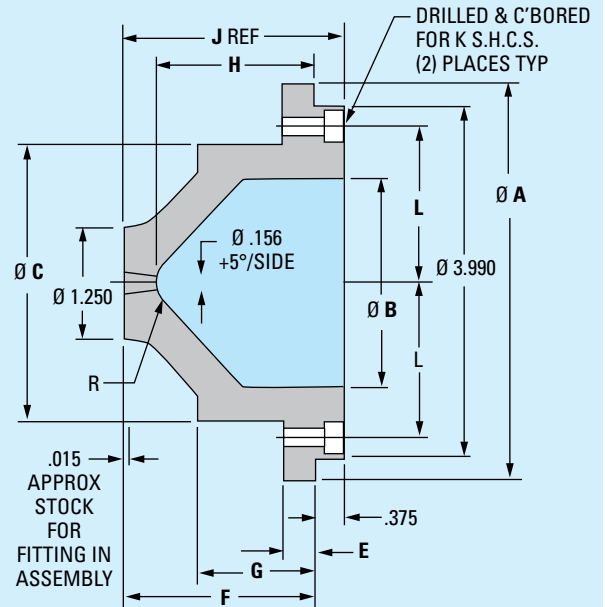
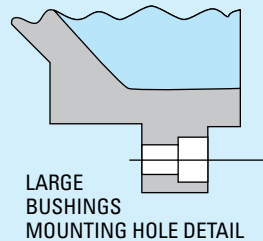
\*#10-24 x 1/2 LONG S.H.C.S. (2) INCLUDED

### Extension Nozzle Bushings

ITEM NO. TEB-0002 thru TEB-0009

Small Bushings  
TEB-0002 thru TEB-0005

Large Bushings  
TEB-0006 thru TEB-0009



**NOTES:**

1. Stripper plate bushing TEB-0001 is used with all small and large extension nozzle bushings.
2. Appropriate S.H.C.S. are included with all bushings (TEB-0001 thru TEB-0009).
3. Select small or large bushing based on "A" clamping plate (A.C.P.) thickness, X-1 stripper plate thickness, machine nozzle spherical radius and machine nozzle clearance requirements.

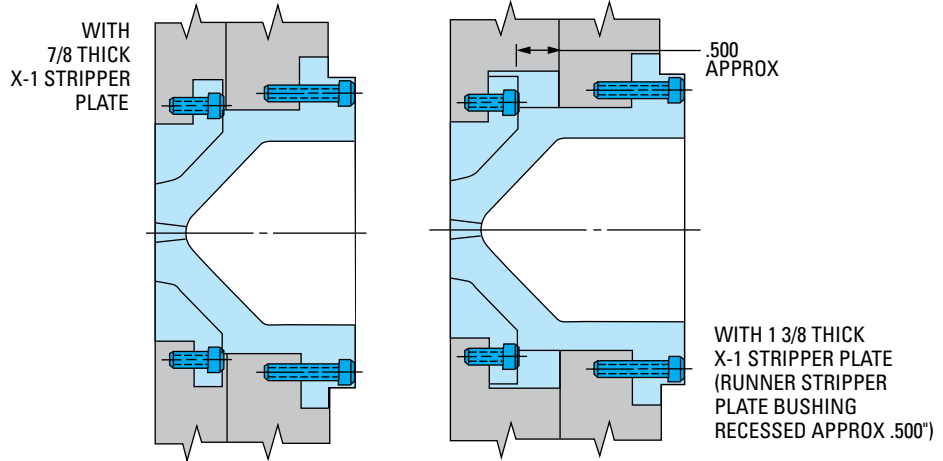
ITEM NUMBER	R SPH RAD	Ø A	Ø B	Ø C	E	F	G	H	J	K	L
TEB-0002	1/2	4.490	2.375	3.120	.375	2.265	1.377	1.875	2.640	#10-24 X 7/8 LONG (2) INCLUDED	1.781
TEB-0003	3/4							1.812			
TEB-0004	1/2							2.375			
TEB-0005	3/4							2.312			
TEB-0006	1/2	5.490	3.250	3.932	.750	2.765	1.877	2.375	3.140	5/16-18 X 7/8 LONG (2) INCLUDED	2.312
TEB-0007	3/4							2.312			
TEB-0008	1/2							2.875			
TEB-0009	3/4							2.812			

Mold Components – INCH | 3-Plate Extension Bushings

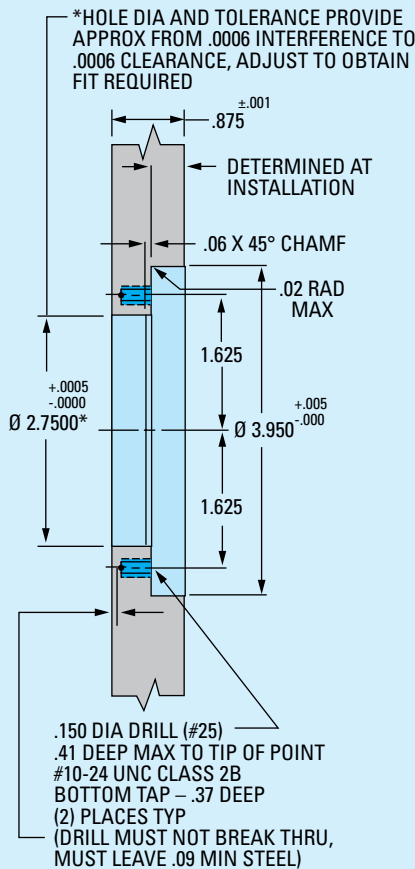
# 3-Plate Extension Bushings – Machining Dimensions

## Suggested Mold Base Machining Dimensions

### Typical Installations

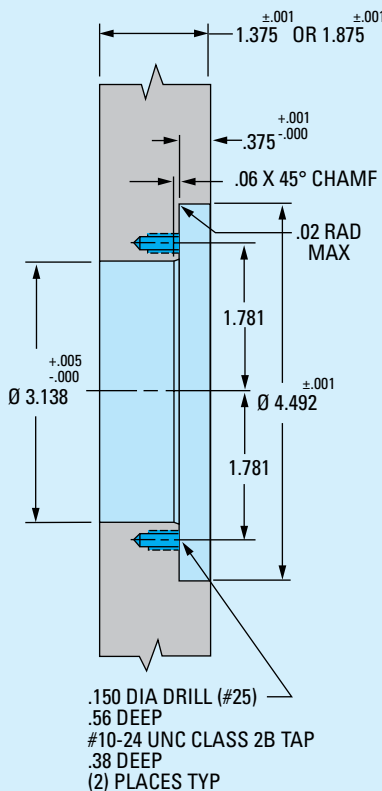


### For Runner Stripper Plate Bushing TEB-0001 in X-1 Stripper Plate

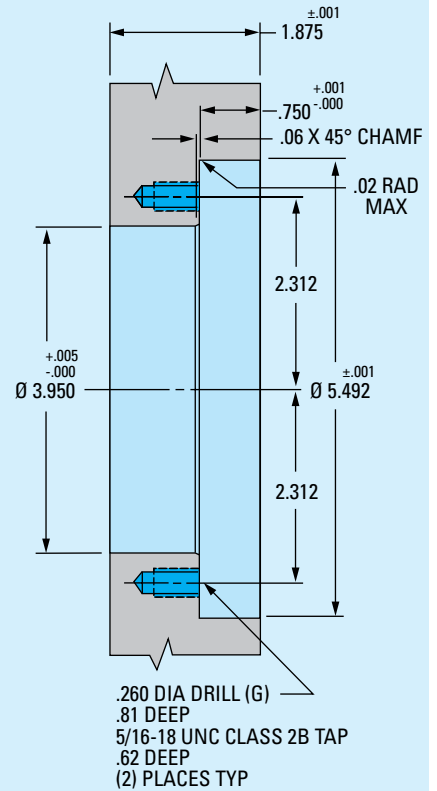


### For Extension Nozzle Bushings in "A" Clamping Plate (A.C.P.)

#### TEB-0002 thru TEB-0005 (Small Bushings)



#### TEB-0006 thru TEB-0009 (Large Bushings)



Refer to installation data provided with product. Additional machining and installation data available. Contact D-M-E.