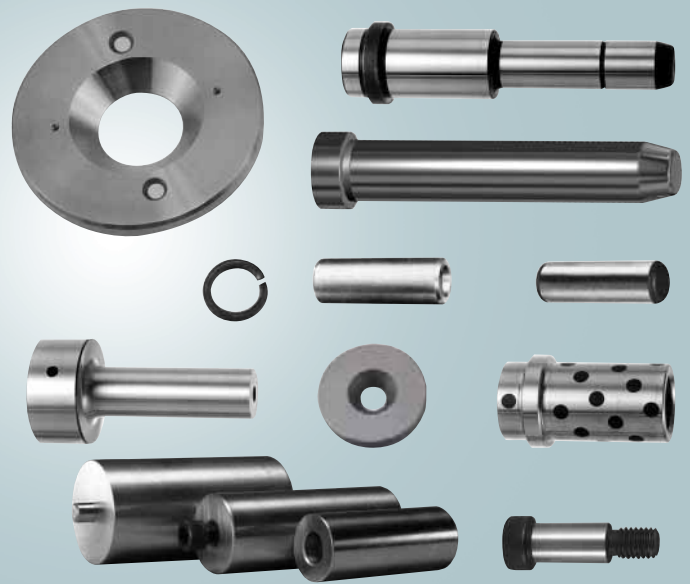




D-M-E Mold Components - Euro-Series

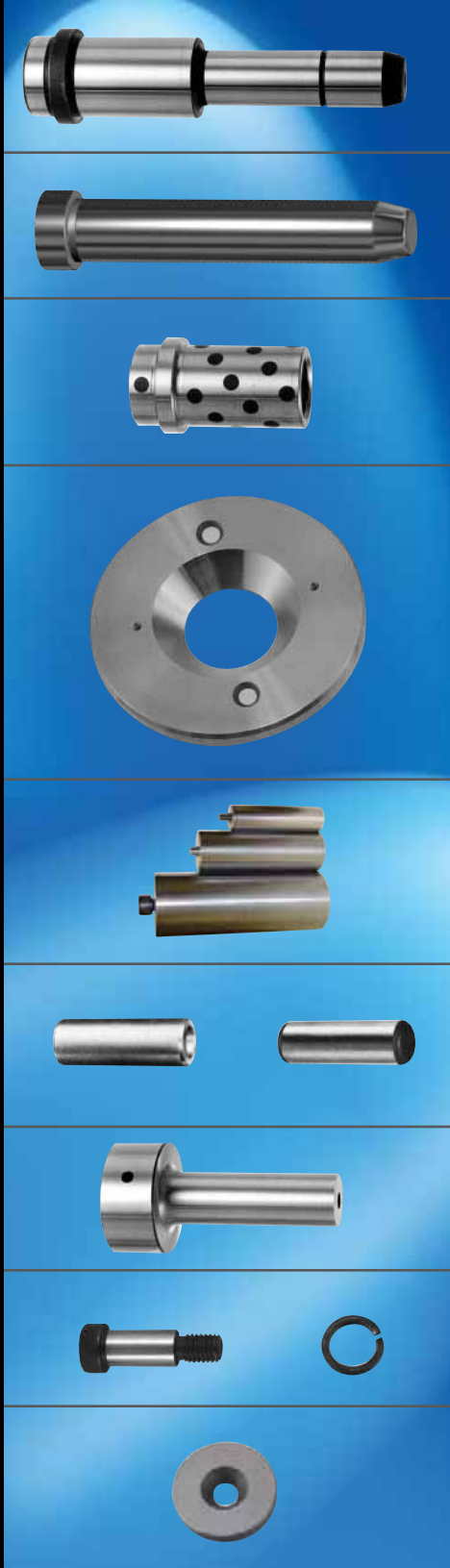
FEATURING HIGH-QUALITY
GUIDE PINS, BUSHINGS,
SUPPORT PILLARS, ETC.



Mold Components - Euro-Series

A comprehensive line of Euro-Series Mold Components

Mold Components – Euro-Series | A comprehensive line



Guide Pins222-224, 226-227

Angle Pins225

Guide Pin Bushings228-229

Locating Rings232

Support Pillars234

*Centering Bushings,
Tubular Dowels & Dowels230-231, 235*

Sprue Bushings233

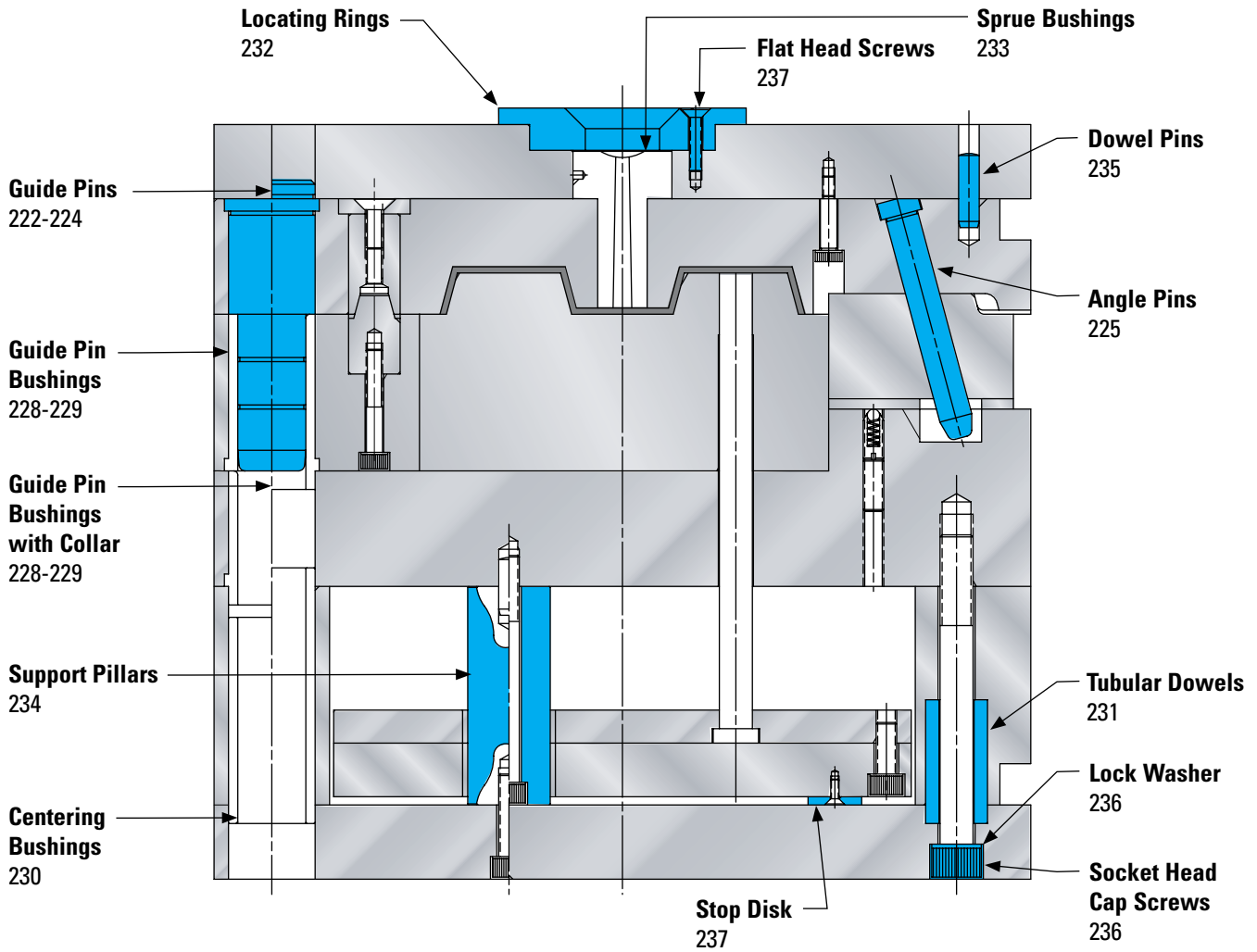
Bolts, Screws & Lock Washers236

Stop Disk237

Online Price Guide

Go to www.dme.net/prices for the latest pricing guide.

Table of Contents



GUIDE PINS

GDP-EC (WITH COLLAR).....	222-224
GDP-ES (WITHOUT COLLAR).....	226-227

LOCATING RINGS

DHR21 (WITH MOUNTING HOLES).....	232
----------------------------------	-----

GUIDE PIN BUSHINGS

GDB-ECS (WITH COLLAR).....	228
GDB-ECL (SELF-LUBE WITH COLLAR).....	228
GDB-ESS (WITHOUT COLLAR).....	229
GDB-ESL (SELF-LUBE WITHOUT COLLAR).....	229

ANGLE PINS

APD (ANGLE PIN).....	225
----------------------	-----

SUPPORT PILLARS

FW28 (WITH DRILLED & COUNTERBORE HOLE).....	234
FW29 (WITH TAPPED HOLE & HOLE FOR DOWEL).....	234

CENTERING BUSHINGS, TUBULAR DOWELS & DOWELS

R05 (CENTERING BUSHING).....	230
R09 (TUBULAR DOWEL).....	231
R091 (WASHER TUBULAR DOWEL).....	231
DP (DOWEL PIN).....	235
WZ7005 (DOWEL PIN WITH INTERNAL THREAD).....	235

SPRUE BUSHINGS

DHR74 (NO RADIUS).....	233
DHR76 (15.5mm RADIUS).....	233
DHR78 (40.0mm RADIUS).....	233

BOLTS, SCREWS & LOCK WASHERS

M (SOCKET HEAD CAP SCREW).....	236
R54 (LOCK WASHER – SPRING WASHER).....	236
SM (FLAT HEAD SCREW).....	237

STOP DISK (FOR EJECTOR PLATES)

R18 (STOP DISK).....	237
----------------------	-----