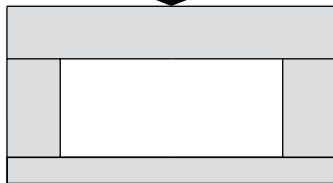


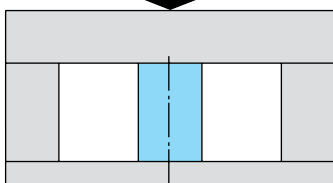
Support Pillars

Load • Carga • Charge
• Carga • Druck



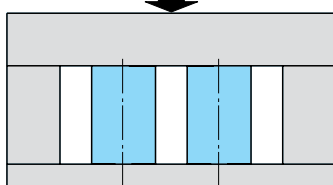
- No support pillars
- Sin pilares de apoyo
- Sans colonnes de support
- Sem colunas de suporte
- Ohne Stützbolzen

Load • Carga • Charge
• Carga • Druck



- One row of support pillars increases the permissible cavity area 4 times.
- Una fila de pilares de apoyo aumenta el area permisible de la cavidad cuatro veces.
- Une rangee de colonnes de support augmente la surface d’empreinte admissible de 4 fois.
- Uma fileira de colunas de suporte aumenta em 4 vezes a area de cavidade permitida.
- Eine Reihe Stützbolzen erhöht die Belastbarkeit der Kavitätfläche um das 4-Fache.

Load • Carga • Charge
• Carga • Druck



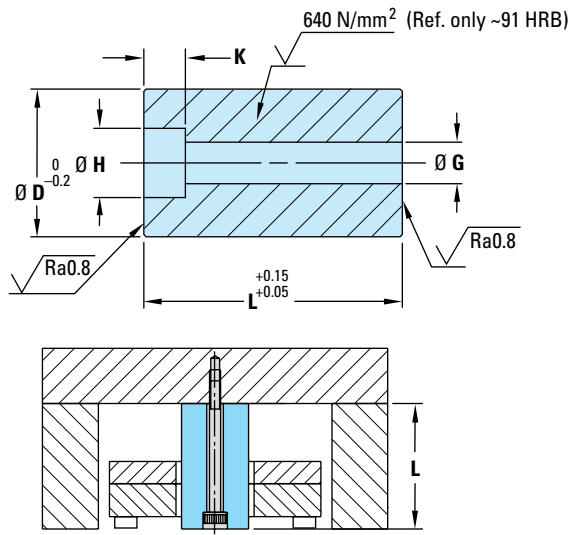
- Two rows of support pillars increase the permissible cavity area 9 times.
- Una fila de pilares de apoyo aumenta el area permisible de la cavidad nueve veces.
- Deux rangees de colonnes de support augmentent la surface d’empreinte admissible de 9 fois.
- Duas fileiras de colunas de suporte aumentam em 9 vezes a area de cavidade permitida.
- Zwei Reihen Stützbolzen erhöhen die Belastbarkeit der Kavitätsfläche um das 9-Fache.

Support Pillars with Drilled & Counterbored Hole – FW28

Pilares de apoyo | Suportes |
Colonnes de support | Stützbolzen

INFORMATION KEY:

D = Outside Diameter
G = Through Hole Diameter
H = Counterbore Diameter
K = Counterbore Depth
L = Length
Standard: DIN Type
Material: 1.1730 Steel
Surface Treatment: None
Dimensions: Shown in Millimeters (mm)



ITEM PREFIX	D	G	H	K	L					
					046	056	076	096	116	136
FW28	32	9	15	9		⚡	⚡			
	40	11	18	11		⚡	⚡	⚡		
	50	13	20	13			⚡	⚡	⚡	
	63	13	20	13				⚡	⚡	

KEY TO CHART

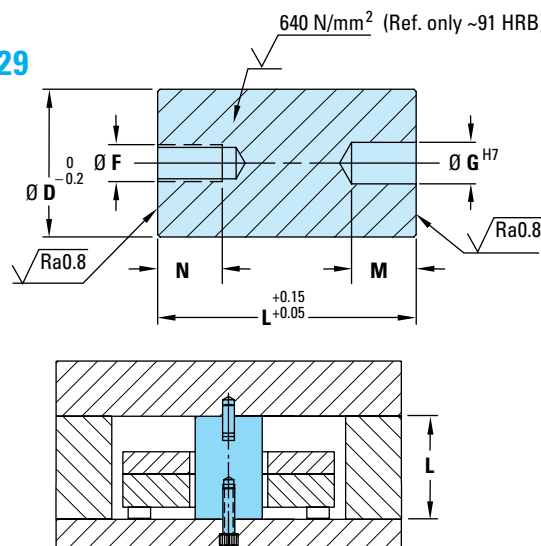
- ⚡ Items in stock
- 2-3 week delivery
- Contact D-M-E for quote

Support Pillars with Tapped Hole and Hole for Dowel – FW29

Pilares de apoyo | Suportes |
Colonnes de support | Stützbolzen

INFORMATION KEY:

D = Outside Diameter
F = Tap Diameter
G = Dowel Locating Hole Diameter
L = Length
M = Locating Hole Depth (minimum)
N = Tap Depth (minimum)
Standard: DIN Type
Material: 1.1730 Steel
Surface Treatment: None
Dimensions: Shown in Millimeters (mm)



ITEM PREFIX	D	G	M	F	N	L				
						046	056	076	096	116
FW29	32	8	14	M8	14		⚡	⚡		
	40	10	18	M10	18		⚡	⚡	⚡	
	50	10	18	M10	18			⚡	⚡	
	63	10	18	M10	18				⚡	

KEY TO CHART

- ⚡ Items in stock
- 2-3 week delivery
- Contact D-M-E for quote

HOW TO ORDER: Specify Item Number with prefix, D diameter and L length. Include zeros as shown, but omit all spaces (spaces are only shown here for easier reading).



Example:
Prefix D L
FW28 32 076

Example:
Prefix D L
FW29 63 096