

Locating Rings

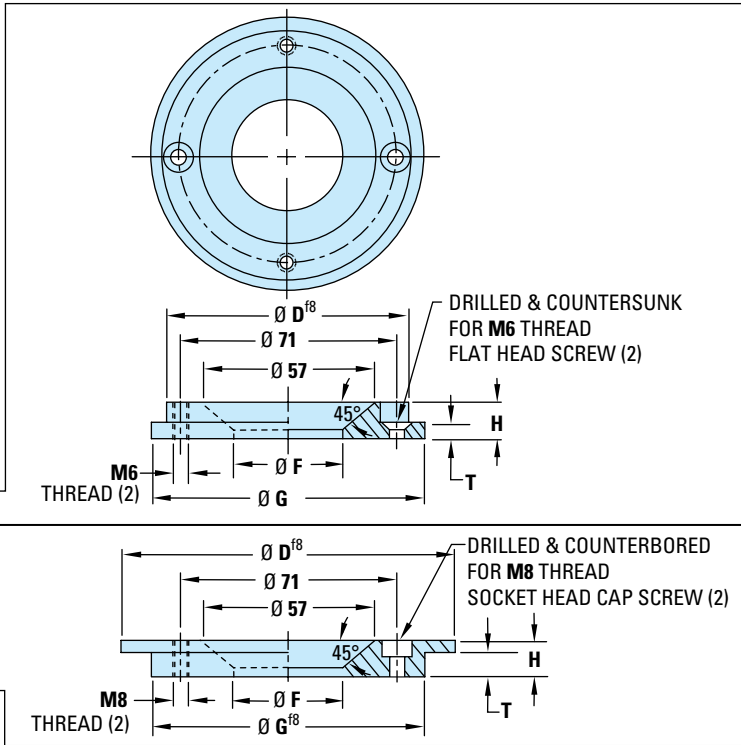
Locating Ring with Mounting Holes – DHR21

Anillo centrador | Anéis de centragem | Rondelles de placement | Centrierflansche

INFORMATION KEY:

D = Platen-Side Diameter
F = Inside Diameter
G = Mold-Side Diameter
H = Overall Height
T = Mold-Side Step Height
Standard: Euro-Series
Material: 1.1730 Steel
Dimensions: Shown in Millimeters (mm)

ITEM PREFIX	G	F	D	H			
				12	15	17	19
				T			
	4	7	9	11			
DHR21	90	36	080				
	90	36	100				
	90	36	110			⚡	⚡
	90	36	120	⚡	⚡	⚡	⚡
	90	36	160				
	90	36	175				



HOW TO ORDER: Specify Item Number with prefix, D diameter, and H height. Include zeros where shown, but omit all spaces (spaces are only shown here for easier reading).

Prefix D H

Example:
 Prefix D H
 DHR21 060 19

Example:
 Prefix D H
 DHR21 120 15

KEY TO CHART

- Items in stock
- 2-3 week delivery
- Contact D-M-E for quote

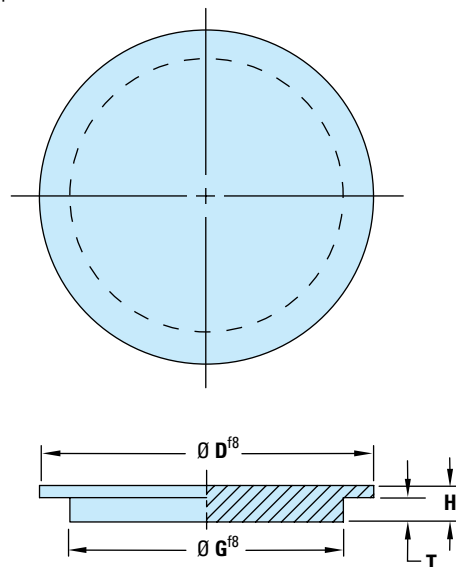
Locating Ring (Solid) – R20

Anillo centrador | Anéis de centragem | Rondelles de placement | Centrierflansche

INFORMATION KEY:

D = Platen-Side Diameter
G = Mold-Side Diameter
H = Overall Height
T = Mold-Side Step Height
Standard: Euro-Series
Material: 1.1730 Steel
Dimensions: Shown in Millimeters (mm)

ITEM PREFIX	G	D	H				
			8	12	15	17	19
			T				
	4	4	7	9	11		
R20	90	100					
	90	110		⚡		⚡	
	90	120	⚡	⚡	⚡	⚡	⚡
	90	125	⚡	⚡	⚡	⚡	⚡
	90	160					
	90	175					



HOW TO ORDER: Specify Item Number with prefix, D diameter, and H height. Include zeros where shown, but omit all spaces (spaces are only shown here for easier reading).

Prefix D H

Example:
 Prefix D H
 R20 100 15

Example:
 Prefix D H
 R20 120 19

KEY TO CHART

- Items in stock
- 2-3 week delivery
- Contact D-M-E for quote