

# DME Valve Gate Hot Runner Solutions

## Pneumatic Single Valve Gate – In-line

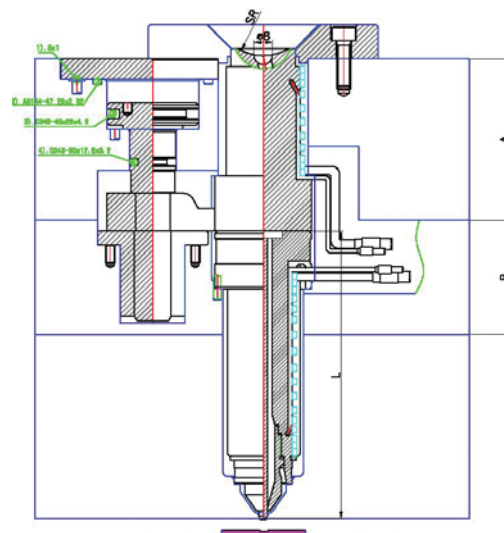


- Prototype – low production runs
- 3, 6 and 8mm pin diameters
- 8 – 20mm flow channel
- Up to 3lb shot capacity
- Push lock air fittings

## Pneumatic Single Valve Gate – Offset Piston



- 7 – 20mm flow channels
- 4, 6 and 10mm valve pin diameters



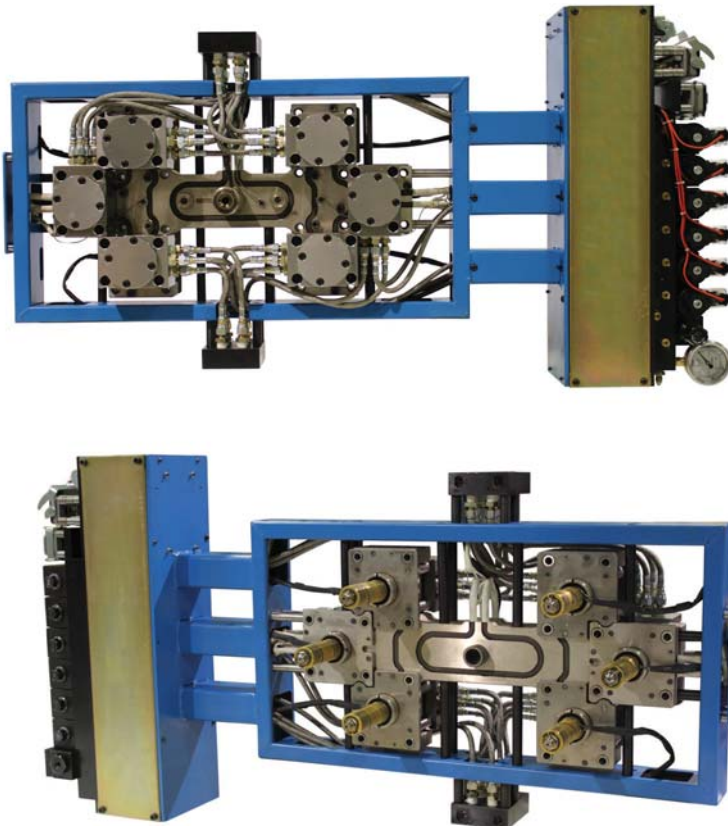
# DME Valve Gate Hot Runner Solutions

## Multi-Drop Valve Gate



- 30mm minimum pitch (4 drops)
- 3 and 6mm pin diameters

## Unitized Valve Gate



### Pre-wired, no plates

- Prevents potential damage (pinched thermocouples, cut wires, etc.)
- Ensures proper wiring and plumbing
- Potential leaks eliminated with properly installed seal rings