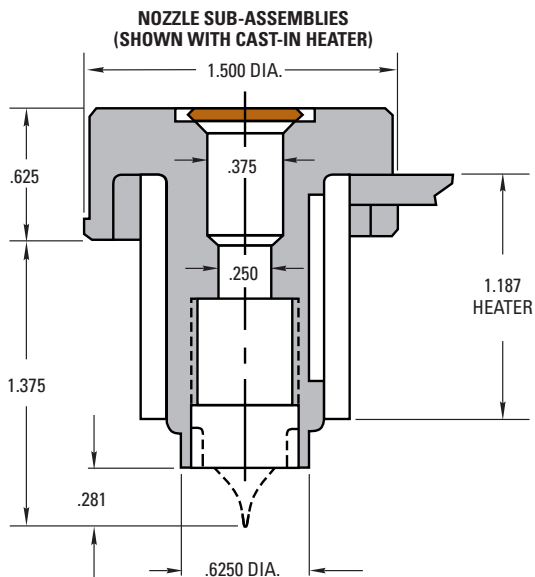


Mini Gate-Mate® Nozzles

The Mini Gate-Mate Nozzles are ideal for fast cycling multi-cavity molds. The compact design permits shorter overall stack-up of the "A" side mold plates. The Mini Gate-Mate Nozzles are provided with either a square coil heater or a cast-in heater. Thermocouple placement provides better heater control, and the overall body design improves thermal insulation. Square coil heater, thermocouple and tip are all replaceable.



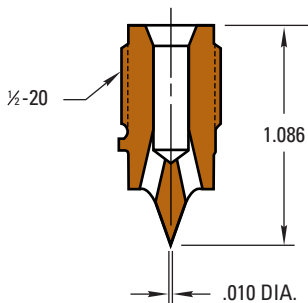
NOTES:

1. Heaters are 240 VAC, 36" Leads, 34" fiberglass lead protection
2. Cast-in integral thermocouple and TCG style thermocouple are type J
3. TCG style thermocouple has 36" leads, 34" fiberglass lead protection
4. Seal ring (for replacement) is sold in packs of 4 only

NOZZLE SUB-ASSEMBLY (ORDER TIP SEPARATELY)		INCLUDES				
ITEM NUMBER	HEATER TYPE	1 NOZZLE BODY	2 HEATER	3 WATTS	4 THERMO-COUPLE	5 SEAL RING
GMB0110	CAST-IN	GMB0105	CIH0100	250	N/A (INTEGRAL)	EHR7155
GMB0118	SQUARE COIL	GMB0105	SCH0004	250	TCG0100	

Gate-Mate® Nozzles | Mini Gate-Mate® Nozzles

Mini Gate-Mate® Tips



ITEM NUMBER	TIP STYLE
GMT0100	STANDARD
GMT4101	WEAR RESISTANT

Contact DME for tip recommendations and assistance with your application.

For Mini Gate-Mate and Jumbo Gate-Mate machining details, visit www.dme.net/gate-mate