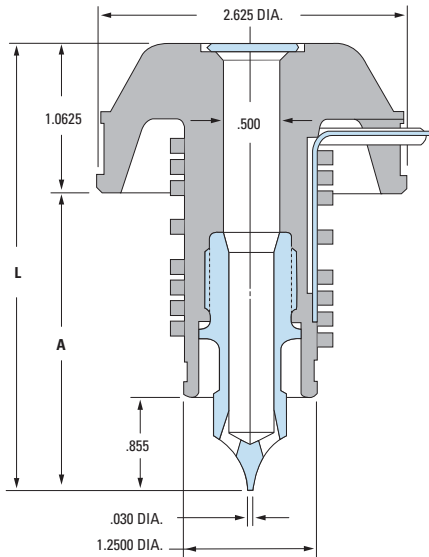


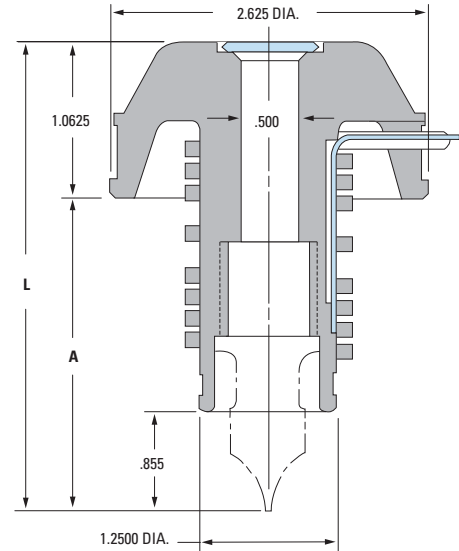
Jumbo Gate-Mate® Nozzles

As an alternative to the Hot One Nozzles, the Jumbo Gate-Mate Nozzles provide the advantage of replaceable coil heaters and thermocouples. In addition, the thermocouple placement provides for better heater control. The coil heaters have a square cross section for improved heat transfer.

**Nozzle Assembly
(include GMT0004 TIP)**



**Nozzle Sub-Assembly
(TIP ordered separately)**



A	L	NOZZLE ASSEMBLY (INCLUDES GMT0004 TIP)	NOZZLE SUB ASSEMBLY (TIP ORDERED SEPARATELY)	INCLUDES*				
				1	2	3	4	
				NOZZLE BODY	SQUARE COIL HEATER	WATTS	THERMO-COUPLE	SEAL RING
2.500	3.562	GMB0018	GMB0119	GMC0016	SCH0002	600	TC0002	EHR7001
3.500	4.562	GMB0019	GMB0120	GMC0017	SCH0001	800	TC0001	

***NOTES:**

1. Items 1 thru 4 are available separately for replacement purposes
2. Item 2 is 240 VAC, 42" leads
3. Item 3 is type J
4. Item 4 (for replacement) is sold in packs of 4 only

For Mini Gate-Mate and Jumbo Gate-Mate machining details, visit www.dme.net/gate-mate

Jumbo Gate-Mate® Tips

TIP STYLE	ITEM NUMBER	TIP LENGTH	TIP DIA.	HOLE DIA.
STANDARD	GMT0004	1.855	.030	N/A
WEAR RESISTANT	GMT0406			
THRU HOLE	GMT0007	1.815	.140	.100
THRU HOLE WEAR RESISTANT	GMT0407			

1. Thru hole tip designed .040 shorter in length to be a direct replacement for the standard tip; use a .080 to .125 diameter gate
2. Contact DME for tip recommendations and assistance with your application

Improved tip insulation, elimination of material degradation in threaded area of tip, and faster color changes can be achieved through use of a Gate Shell Insulator.

