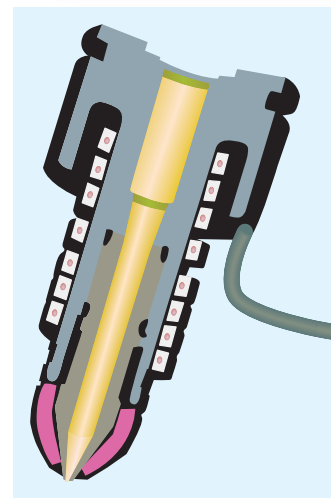
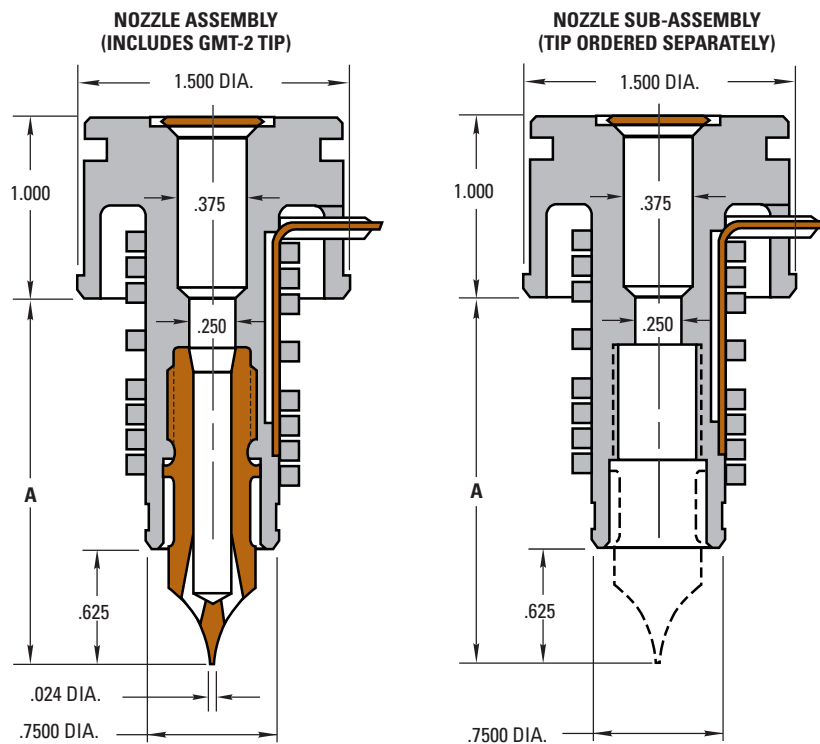


Gate-Mate® 4 Nozzles

The Gate-Mate 4 Nozzle is ideal for fast-cycling multi-cavity molds and thin-walled parts. Its compact design permits closer centerline distances for use in smaller molds, or increased cavitation in larger molds. Thermocouple placement provides better heater control, and the overall nozzle design gives improved thermal insulation. Heater, thermocouple and tips are all replaceable. The nozzles are available in three versions: A complete assembly with standard tip, a sub-assembly with tip ordered separately and a sub-assembly with front load heater which allows heater replacement to be performed without having to remove the mold from the machine. Front load heaters include integral thermocouples.



Improved tip insulation, elimination of material degradation in threaded area of tip, and faster color changes can be achieved through use of a Gate Shell Insulator.

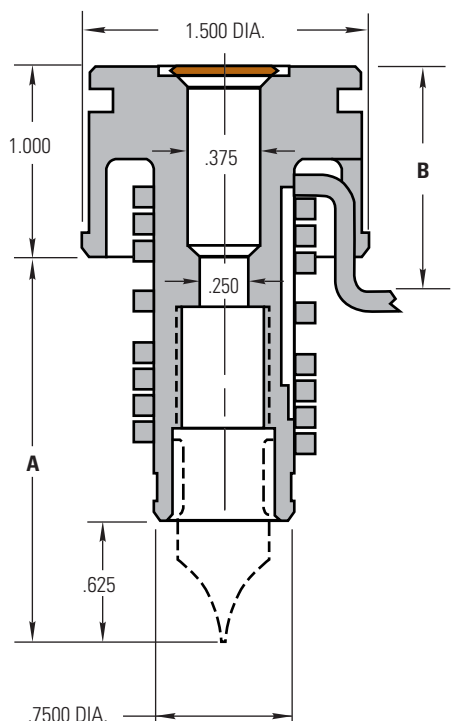
A	NOZZLE ASSEMBLY (INCLUDES GMT2 TIP)	NOZZLE SUB ASSEMBLY (TIP ORDERED SEPARATELY)	INCLUDES				
			1	2		3	4
			NOZZLE BODY	SQUARE COIL HEATER	WATTS	THERMO-COUPLE	SEAL RING
2.000	GMB0050	GMB0150	GMB0060	SCH0060	250	TCG0060	EHR7155
2.500	GMB0051	GMB0151	GMB0061	SCH0061	300	TCG0061	
3.000	GMB0052	GMB0152	GMB0062	SCH0062	350	TCG0062	
3.500	GMB0053	GMB0153	GMB0063	SCH0063	400	TCG0063	
4.000	GMB0054	GMB0154	GMB0064	SCH0064	425	TCG0064	
5.000	GMB0055	GMB0155	GMB0065	SCH0065	500	TCG0065	
6.000	GMB0056	GMB0156	GMB0066	SCH0066	500	TCG0066	

NOTES:

- Items 1 thru 4 are available separately for replacement purposes
- Items 2 is 240 VAC, 36" leads, 34" fiberglass lead protection
- Item 3 is type J, with 36" leads, 34" fiberglass lead protection
- Item 4 (for replacement) is sold in packs of 4 only

Gate-Mate® 4 Nozzles and Tips

NOZZLE SUB-ASSEMBLY WITH FRONT LOAD HEATER (TIP ORDERED SEPARATELY)



Gate-Mate® 4 Nozzles

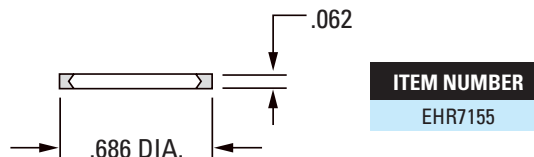
A	B	NOZZLE SUB ASSEMBLY (TIP ORDERED SEPARATELY)	INCLUDES			
			1 NOZZLE BODY	2 FRONT LOAD HEATER	3 WATTS	SEAL RING
2.000	1.250	GMB1050	GMB0060	SCH1060	250	EHR7155
2.500	1.250	GMB1051	GMB0061	SCH1061	300	
	1.750	GMB2051		SCH2061		
3.000	1.250	GMB1052	GMB0062	SCH1062	350	
	1.750	GMB2052		SCH2062		
3.500	1.250	GMB1053	GMB0063	SCH1063	400	
	1.750	GMB2053		SCH2063		
4.000	1.250	GMB1054	GMB0064	SCH1064	425	
	1.750	GMB2054		SCH2064		
5.000	1.250	GMB1055	GMB0065	SCH1065	500	
	1.750	GMB2055		SCH2065		
6.000	1.250	GMB1056	GMB0066	SCH1066	500	
	1.750	GMB2056		SCH2066		

NOTES:

- Items 1, 2 and 3 are available separately for replacement purposes
- Item 2 is 240 VAC, type J thermocouple, 36" leads, 34" Teflon lead protection
- Item 3 (for replacement) is sold in packs of 4 only

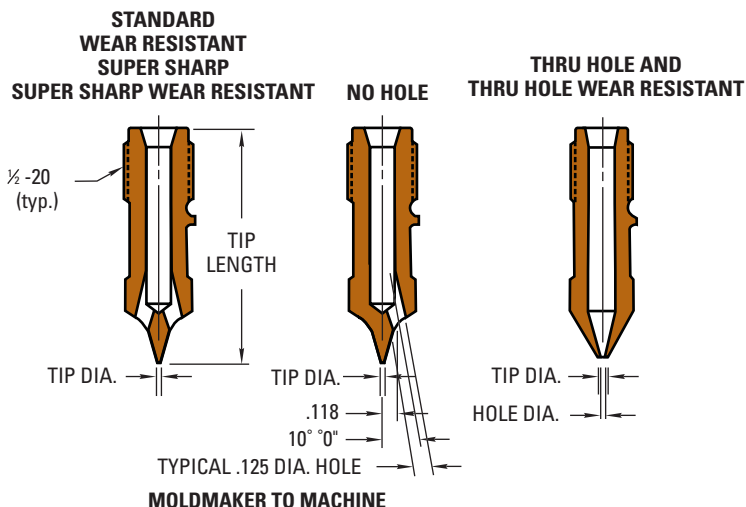
Replacement Seal Rings

Used between manifold and nozzle to prevent leakage. New seal rings must be installed each time manifold is assembled.



Gate-Mate® 4 Tips

TIP STYLE	TIP ITEM NUMBER	O DIA.	TIP LENGTH	TIP DIA.	HOLE DIA.
STANDARD	GMT2	.044 MIN.		.024	
WEAR RESISTANT	GMT0400	.055 MIN.			
SUPER SHARP	GMT0301	.030 MIN.	1.730		N/A
SUPER SHARP WEAR RESISTANT	GMT0401	.055 MIN.		.010	
THRU HOLE	GMT0302*	.030 MIN. .050 MAX			
THRU HOLE WEAR RESISTANT	GMT0402*	.055 MIN.	1.690	.090	.050
NO HOLE	GMT0303	.044 MIN.	1.730	.024	N/A



NOTES:

- Thru hole tip is designed .040 shorter in length to be a direct replacement for the standard tip; use a .030 to .060 diameter gate
- A .030 minimum diameter gate is recommended when using the super sharp tip
- Contact DME for tip recommendations and assistance with your application

*Contact DME for details to modify thru hole tips for larger "O" diameters