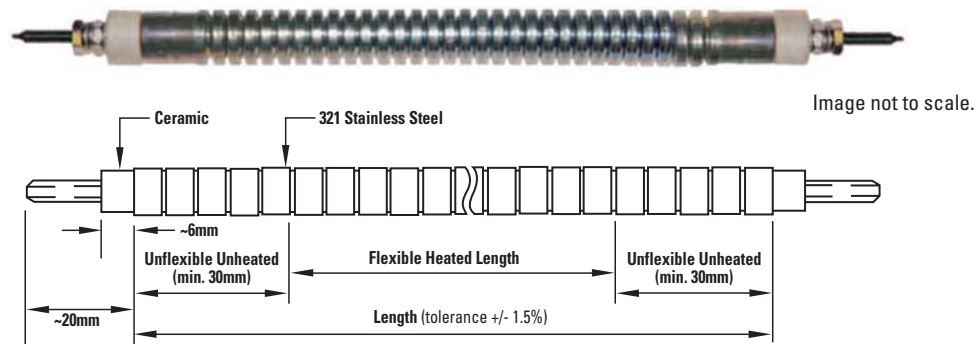


Standard Global Manifold Replacement Heaters



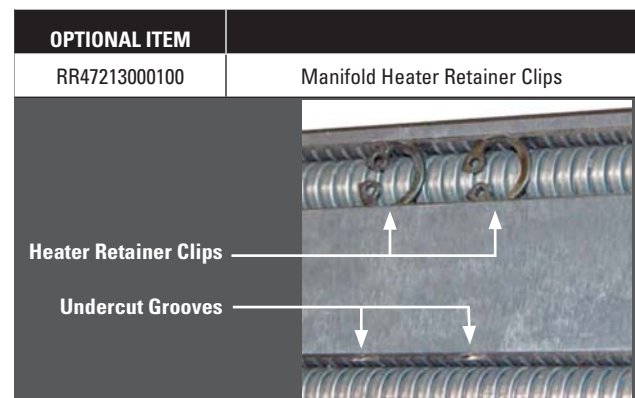
DME Manifold Flexible Replacement Heaters

8.5mm diameter. Operating voltage 230 Volt. M2.5x0.45 threaded pins on both ends.

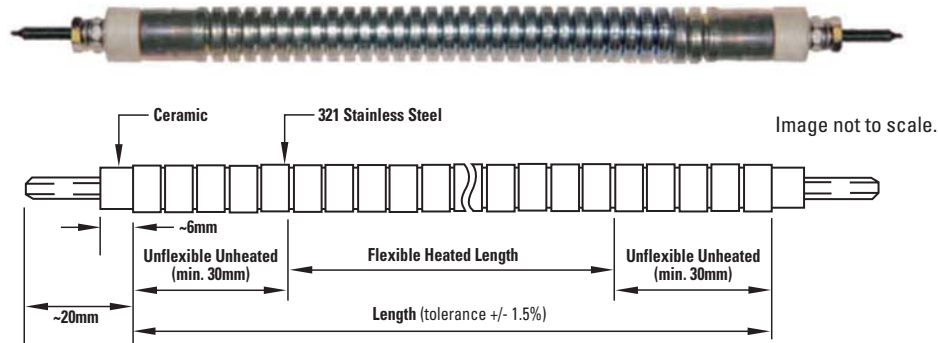
HIGH-WATT FLEXIBLE TUBULAR HEATERS		
ITEM NO.	LENGTH (mm)	WATTAGE
HFH850300	300	650
HFH850350	350	750
HFH850400	400	900
HFH850450	450	1050
HFH850500	500	1150
HFH850550	550	1300
HFH850600	600	1450
HFH850650	650	1600
HFH850700	700	1750
HFH850750	750	1900
HFH850800	800	2050
HFH850850	850	2200
HFH850900	900	2350
HFH850950	950	2500
HFH851000	1000	2650
HFH851050	1050	2800
HFH851100	1100	2930
HFH851150	1150	3060
HFH851200	1200	3190
HFH851250	1250	3320
HFH851300	1300	3450
HFH851350	1350	3580
HFH851400	1400	3710
HFH851450	1450	3840
HFH851500	1500	3970

Replacing a DME Manifold Flexible Tubular Heater may also require the replacement of retaining rings that hold the heater in place. After installing the manifold heater, insert a retaining ring into each of the existing undercut grooves in the manifold. Use a brass hammer to lightly tap a small piece of brass and each retaining ring to secure the manifold heater.

LOW-WATT FLEXIBLE TUBULAR HEATERS		
ITEM NO.	LENGTH (mm)	WATTAGE
HFL850500	500	700
HFL850550	550	780
HFL850600	600	860
HFL850650	650	950
HFL850700	700	1000
HFL850750	750	1100
HFL850800	800	1190
HFL850850	850	1250
HFL850900	900	1350
HFL850950	950	1430
HFL851000	1000	1500
HFL851050	1050	1590
HFL851100	1100	1650
HFL851150	1150	1750
HFL851200	1200	1830
HFL851250	1250	1900
HFL851300	1300	1990
HFL851350	1350	2070
HFL851400	1400	2150
HFL851450	1450	2230
HFL851500	1500	2300



Standard Global Manifold Replacement Heaters



DME Manifold Flexible Replacement Heaters

8.0mm diameter. Operating voltage 240 Volt. M4x0.45 threaded pins on both ends.

HIGH-WATT FLEXIBLE TUBULAR HEATERS		
ITEM NO.	LENGTH (mm)	WATTAGE
HFH8030	300	660
HFH8035	350	675
HFH8040	400	795
HFH8045	450	910
HFH8050	500	1025
HFH8055	550	1145
HFH8060	600	1260
HFH8065	650	1380
HFH8070	700	1495
HFH8075	750	1615
HFH8080	800	1730
HFH8085	850	1845
HFH8090	900	1960
HFH8095	950	2080
HFH8100	1000	2195
HFH8105	1050	2316
HFH8110	1100	2430
HFH8115	1150	2545
HFH8120	1200	2665
HFH8125	1250	2780
HFH8130	1300	2895
HFH8135	1350	3015
HFH8140	1400	3130
HFH8145	1450	3245
HFH8150	1500	3365

LOW-WATT FLEXIBLE TUBULAR HEATERS		
ITEM NO.	LENGTH (mm)	WATTAGE
HFL8040	400	339
HFL8045	450	364
HFL8050	500	410
HFL8055	550	458
HFL8060	600	504
HFL8065	650	552
HFL8070	700	598
HFL8075	750	646
HFL8080	800	692
HFL8085	850	738
HFL8090	900	784
HFL8095	950	832
HFL8100	1000	878
HFL8105	1050	926
HFL8110	1100	972
HFL8115	1150	1018
HFL8120	1200	1066
HFL8125	1250	1112
HFL8130	1300	1158
HFL8135	1350	1206
HFL8140	1400	1252
HFL8145	1450	1298
HFL8150	1500	1346

Replacing a DME Manifold Flexible Tubular Heater may also require the replacement of retaining rings that hold the heater in place. After installing the manifold heater, insert a retaining ring into each of the existing undercut grooves in the manifold. Use a brass hammer to lightly tap a small piece of brass and each retaining ring to secure the manifold heater.

