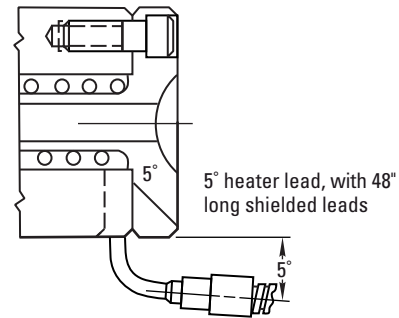


# Straight-Shot™ Bushings Replacement Parts

## Replacement Heaters for Straight-Shot Hot Sprue Bushings Standard

ITEM NUMBER*	VOLTS	WATTS	L	BUSHING SERIES
SSTC31	120	300	4%	S, E & ER (Long Style), T & TR
SSTC32	240	300	4%	S, E & ER (Long Style), T & TR
SSTC42	240	250	2½	E & ER (Short Style)

\* Includes installation wrench.



## Straight-Shot Heater Installation and Removal Wrench

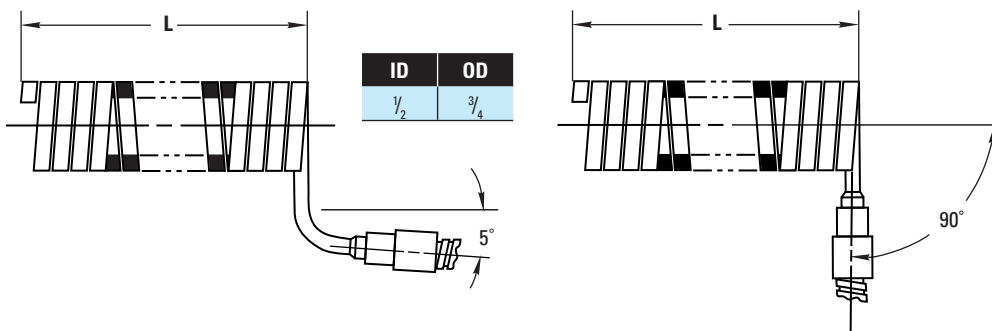
(Included with heaters above).

ITEM NUMBER	USED WITH
WR0875	SSTC31 & 32 Series
WR0874	SSTC42 Series

### Available On Request:

Heaters with 90° exit leads. Add "90" to item number.

**Example:** SSTC3190



## Replacement Parts for Discontinued Hot Sprue Bushings (HBT6630 through 6636), Temperature Controllers (PFC5) and Control Modules (FC5)

### Cartridge Heaters

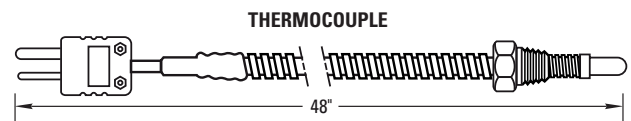
DIA.	LENGTH	WATTS	VOLTS	ITEM NUMBER
¼	2½	240	200	HBC2022*
¼	3¾	240	300	HBC2032**

\* Used with Hot Sprue Bushings 5¾ long; heater supplied with leads 48" long.

\*\* Used with Hot Sprue Bushings 6¾ long; heater supplied with leads 46" long.

### Thermocouple Cartridge Heaters

DIA.	LENGTH	VOLTS	WATTS	ITEM NUMBER
¼	2½	240	200	HBTC2022*
¼	3¾	240	300	HBTC2032**



Threaded type thermocouple is spring loaded and supplied with cable and mini plug.

ITEM NUMBER
TCT4

ITEM NUMBER	AMPS
ABC5	5
13X5	5

### Replacement Fuses for Temperature Control Modules (FC5) and Temperature Controllers (PFC5)

See the DME Control Systems Catalog for new controllers.