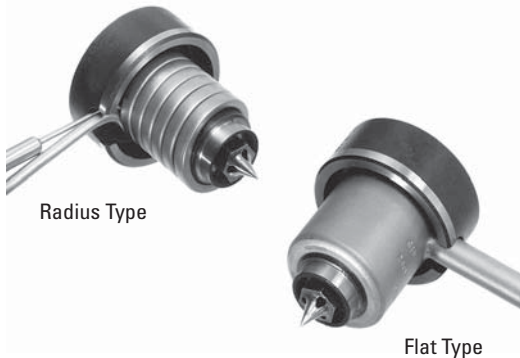


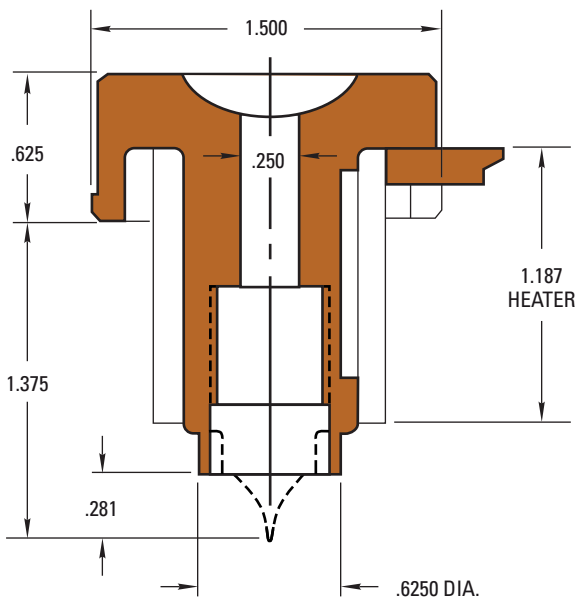
Mini Gate-Mate®



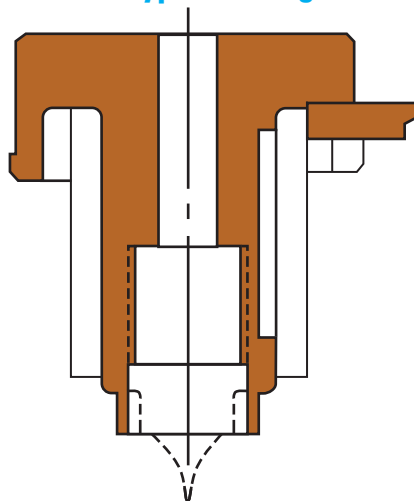
The Mini Gate-Mate Bushings are ideal for fast cycling single cavity molds. The compact design permits shorter overall stack-up of the "A" side mold plates. The Mini Gate-Mate Bushings are provided with either a square coil heater or a cast-in heater. Thermocouple placement provides better heater control, and the overall body design improves thermal insulation. Square coil heater, thermocouple and tip are all replaceable.

Sub-assemblies include square coil heater and thermocouple or cast-in heater with integral thermocouple. Tip to be ordered separately.

1/2" SPH. Radius Type Bushing



Flat Type Bushing

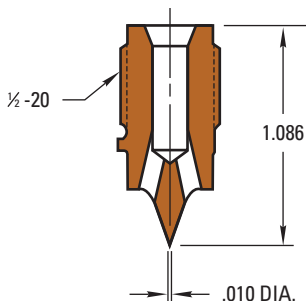


Dimensions same as radius type bushing

1/2 SPH. RADIUS BUSHING SUB-ASSEMBLY	
ITEM NUMBER	HEATER TYPE
GMB0116	SQUARE COIL
GMB0111	CAST-IN

FLAT BUSHING SUB-ASSEMBLY	
ITEM NUMBER	HEATER TYPE
GMB0117	SQUARE COIL
GMB0112	CAST-IN

Mini Gate-Mate® Tips

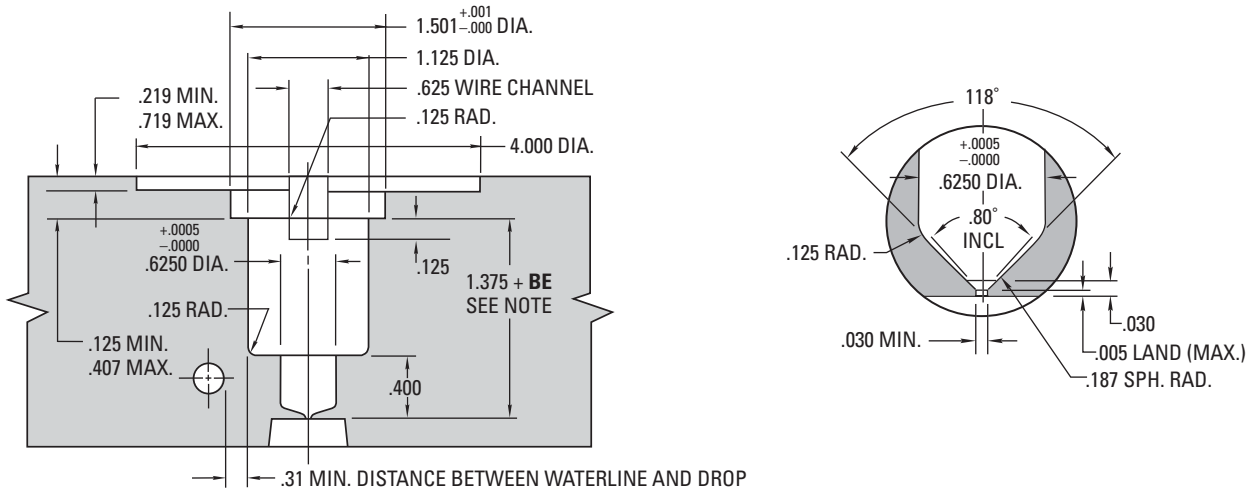


ITEM NUMBER	TIP STYLE
GMT0100	STANDARD
GMT4101	WEAR RESISTANT

Contact for DME for tip recommendations and assistance with your application.

Mini Gate-Mate® Machining Dimensions

Machining Dimensions for Bushings



NOTE:

The expansion factor must be taken into consideration prior to machining for and installation of the bushing. This factor (BE) must then be added to the A dimension. The formula for determining this expansion factor is as follows:

BE = "A" dimension x 0.00000633 x nozzle set point - 68°F (assuming the mold is at 68°F during operation). If mold temperature is different, substitute 68°F with actual mold temperature.

EXAMPLE:

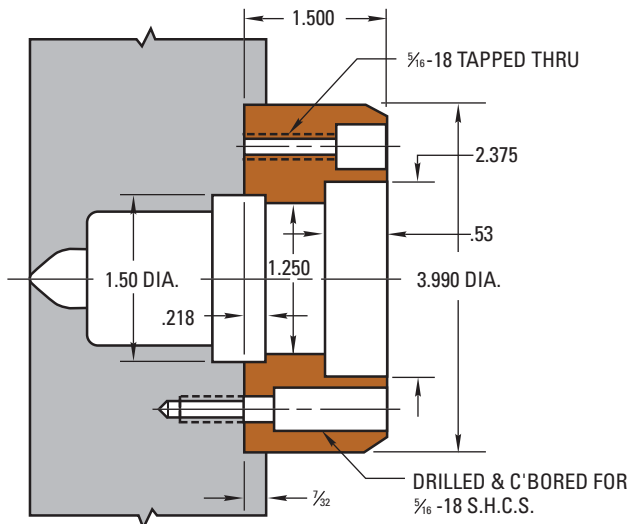
Given a setpoint of 500°F: BE = 1.375 x .0000063 x (500 - 68) = .004 thus 1.375 + .004 = 1.379.

Please note that the above information is given as an example. Variations may occur based on mold configuration and cooling factor. In some instances, it may be necessary to obtain an empirical factor.

Replacement Parts

SUB-ASSEMBLY REFERENCE	BODY TYPE	HEATER TYPE (240 VAC, 250 WATT)	THERMOCOUPLE (36" LEADS)
GMB0111	½ RADIUS	(CAST IN)	N/A
GMB0112	FLAT	CIH0100	(INTEGRAL TO HEATER)
GMB0116	½ RADIUS	(SQUARE COIL)	TCG0100
GMB0117	FLAT	SCH0004	

Mini Gate-Mate Bushing Locating Ring



ITEM NUMBER
6548

NOTES:

- Two (2) 5/16-18 S.H.C.S. are included with Locating Ring
- Two (2) Drilled and C'bored holes for 5/16-18 S.H.C.S. are on a 1.656 circle radius in Locating Ring
- C'bore depth in Top Clamp Plate and C'bore depth in Locating Ring can be altered to suit application