

# HIGH PERFORMANCE COMPRESSION SPRINGS

## Stock sizes in chromium alloy steel

Associated Spring Raymond now offers an additional line to complement our current line of music wire and stainless steel springs. These items offer high performance, in dimensions not available in our standard music wire and stainless steel line.

## Materials

Either Chrome Vanadium or Chrome Silicon will be supplied, based on availability at time of shipment. Not recommended for applications where the temperature exceeds 425° F (220° C).

## Wire diameter is prior to forming.

Certificate of Conformance is available at no charge. Certificate of chemical analysis is not available.

## Coil Direction

Right Hand (RH) or Left Hand (LH) as per the following tables.

## Free Length

Free length is reference or approximate only.

## Ends

Part numbers starting with C00168, C00170, C00186, C00200, C00257, C00309, C00347 and C00395 are squared only. All others are squared and ground.

## Loads and Spring Rates

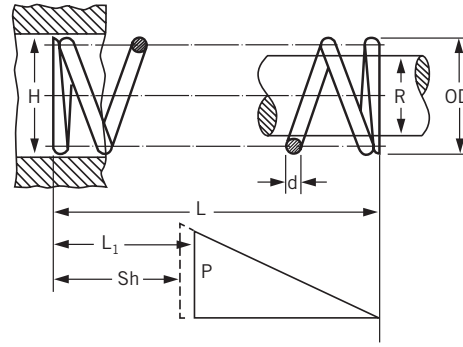
Rate is calculated and should be used as a reference only. Load (P) at  $L_1$  is  $\pm 10\%$ .

## ID and OD tolerances

High performance springs are designed to fit in a hole and over a shaft as specified in the table.

## Finish & Packaging

Standard finish is oil. Special finishes upon request. Parts are bulk packed, so tangling can occur during transit on wire sizes under 0.89mm (0.035"). Please inquire about special packaging when ordering.



OD = Outside diameter  
 d = Wire diameter  
 Sh = Approx Solid Height  
 L = Free length (reference use only)  
 $L_1$  = Load length (minimum working length)  
 P = Load at  $L_1$   
 H = Hole Diameter  
 R = Shaft Diameter

ADDITIONAL DIMENSIONS ARE AVAILABLE BY CALLING 1-800-872-7732.

HIGH PERFORMANCE COMPRESSION SPRINGS																			
Catalog Number	Coil Dir.	Outside Diameter (OD)		Wire Diameter (d)		Free Length (L) Approx.		Fits in Hole Size (H)		Fits over Shaft (R)		Load Length ( $L_1$ )		Solid Height (Sh) Approx.		Load (P) at $L_1$ $\pm 10\%$		Spring Rate (R) Reference Only	
		in	mm	in	mm	in	mm	in	mm	in	mm	in	mm	in	mm	lb	N	lb/in	N/mm
C00168003003						0.126	3.2					0.087	2.2	0.063	1.6			14.00	2.45
C00168003004						0.157	4					0.108	2.8	0.079	2.0			11.20	1.96
C00168003005						0.197	5					0.134	3.4	0.098	2.5			8.75	1.53
C00168003006						0.248	6.3					0.169	4.3	0.122	3.1			7.00	1.23
C00168003008	LH	0.066	1.68	0.010	0.25	0.315	8			0.043	1.1	0.217	5.5	0.157	4.0	0.55	2.45	5.60	0.98
C00168003010						0.394	10					0.268	6.8	0.197	5.0			4.38	0.77
C00168003013						0.492	12.5					0.335	8.5	0.244	6.2			3.50	0.61
C00168003016						0.630	16					0.433	11.0	0.315	8.0			2.80	0.49
C00168003020						0.787	20					0.539	13.7	0.394	10.0			2.22	0.39
C00168003025						0.984	25	0.071	1.8			0.669	17.0	0.492	12.5			1.75	0.31
C00170003003						0.126	3.2					0.099	2.5	0.083	2.1			36.36	6.37
C00170003004						0.157	4					0.123	3.1	0.102	2.6			28.57	5.00
C00170003005						0.197	5					0.152	3.9	0.126	3.2			22.22	3.89
C00170003006						0.248	6.3					0.193	4.9	0.161	4.1			18.18	3.18
C00170003008	RH	0.067	1.7	0.013	0.32	0.315	8					0.246	6.2	0.205	5.2	0.99	4.41	14.29	2.50
C00170003010						0.394	10					0.304	7.7	0.252	6.4			11.11	1.95
C00170003013						0.492	12.5			0.039	1.0	0.381	9.7	0.315	8.0			8.89	1.56
C00170003016						0.630	16					0.491	12.5	0.409	10.4			7.14	1.25
C00170003020						0.787	20					0.614	15.6	0.512	13.0			5.71	1.00
C00170003025						0.984	25					0.761	19.3	0.630	16.0			4.44	0.78
C00186004010						0.394	10					0.327	8.3	0.287	7.3			26.34	4.61
C00186004013	LH	0.073	1.86	0.016	0.4	0.492	12.5					0.413	10.5	0.366	9.3	1.76	7.85	22.22	3.89
C00186004016						0.630	16					0.531	13.5	0.472	12.0			17.78	3.11
C00186004020						0.787	20					0.663	16.9	0.591	15.0			14.22	2.49
C00188003003						0.126	3.2	0.079	2.0			0.087	2.2	0.063	1.6			17.92	3.14
C00188003004						0.157	4					0.108	2.8	0.079	2.0			14.34	2.51
C00188003005	RH	0.074	1.88	0.011	0.28	0.197	5			0.049	1.3	0.134	3.4	0.098	2.5	0.71	3.14	11.20	1.96
C00188003006						0.248	6.3					0.169	4.3	0.122	3.1			8.96	1.57
C00188003008						0.315	8					0.217	5.5	0.157	4.0			7.17	1.26
C00188003010						0.394	10					0.268	6.8	0.197	5.0			5.60	0.98



**HIGH PERFORMANCE COMPRESSION SPRINGS**

Catalog Number	Coil Dir.	Outside Diameter (OD)		Wire Diameter (d)		Free Length (L) Approx.		Fits in Hole Size (H)		Fits over Shaft (R)		Load Length (L <sub>1</sub> )		Solid Height (Sh) Approx.		Load (P) at L <sub>1</sub> ±10%		Spring Rate (R) Reference Only	
		in	mm	in	mm	in	mm	in	mm	in	mm	in	mm	in	mm	lb	N	lb/in	N/mm
C00188003013						0.492	12.5					0.335	8.5	0.244	6.2			4.48	0.78
C00188003016	RH	0.074	1.88	0.011	0.28	0.630	16			0.049	1.3	0.433	11.0	0.315	8.0	0.71	3.14	3.58	0.63
C00188003020						0.787	20					0.539	13.7	0.394	10.0			2.84	0.50
C00188003025						0.984	25					0.669	17.0	0.492	12.5			2.24	0.39
C00190004010						0.394	10					0.304	7.7	0.252	6.4			13.83	2.42
C00190004013						0.492	12.5	0.079	2.0			0.381	9.7	0.315	8.0			11.06	1.94
C00190004016						0.630	16					0.491	12.5	0.409	10.4			8.89	1.56
C00190004020		0.075	1.9	0.014	0.36	0.787	20			0.043	1.1	0.614	15.6	0.512	13.0	1.23	5.49	7.11	1.25
C00190004025						0.984	25					0.761	19.3	0.630	16.0			5.53	0.97
C00190004032						1.260	32					0.982	24.9	0.819	20.8			4.44	0.78
C00190004040						1.575	40					1.228	31.2	1.024	26.0			3.56	0.62
C00200003006						0.248	6.3					0.154	3.9	0.098	2.5			5.13	0.90
C00200003008						0.315	8					0.197	5.0	0.126	3.2			4.11	0.72
C00200003010						0.394	10					0.244	6.2	0.157	4.0			3.24	0.57
C00200003013		0.079	2	0.010	0.25	0.492	12.5	0.083	2.1	0.055	1.4	0.303	7.7	0.197	5.0	0.49	2.16	2.57	0.45
C00200003016	LH					0.630	16					0.394	10.0	0.252	6.4			2.05	0.36
C00200003020						0.787	20					0.492	12.5	0.315	8.0			1.64	0.29
C00200003025						0.984	25					0.606	15.4	0.394	10.0			1.28	0.22
C00200003032						1.260	32					0.787	20.0	0.512	13.0			1.03	0.18
C00208005003						0.126	3.2					0.106	2.7	0.094	2.4			111.11	19.46
C00208005004						0.157	4					0.133	3.4	0.118	3.0			88.89	15.57
C00208005005						0.197	5					0.166	4.2	0.148	3.8			71.11	12.46
C00208005006						0.248	6.3					0.208	5.3	0.185	4.7			55.56	9.73
C00208005008		0.082	2.08	0.018	0.45	0.315	8			0.043	1.1	0.265	6.7	0.236	6.0	2.21	9.81	44.44	7.78
C00208005010						0.394	10					0.327	8.3	0.287	7.3			32.92	5.77
C00208005013						0.492	12.5					0.413	10.5	0.366	9.3			27.78	4.87
C00208005016						0.630	16					0.531	13.5	0.472	12.0			22.22	3.89
C00208005020						0.787	20					0.663	16.9	0.591	15.0			17.78	3.11
C00212004004						0.157	4					0.123	3.1	0.102	2.6			44.44	7.78
C00212004005						0.197	5					0.152	3.9	0.126	3.2			34.57	6.05
C00212004006						0.248	6.3					0.193	4.9	0.161	4.1			28.28	4.95
C00212004008						0.315	8					0.246	6.2	0.205	5.2			22.22	3.89
C00212004010						0.394	10					0.304	7.7	0.252	6.4			17.28	3.03
C00212004013		0.083	2.12	0.016	0.4	0.492	12.5			0.049	1.3	0.381	9.7	0.315	8.0	1.54	6.86	13.83	2.42
C00212004016						0.630	16	0.089	2.3			0.491	12.5	0.409	10.4			11.11	1.95
C00212004020						0.787	20					0.614	15.6	0.512	13.0			8.89	1.56
C00212004025						0.984	25					0.761	19.3	0.630	16.0			6.91	1.21
C00212004032						1.260	32					0.982	24.9	0.819	20.8			5.56	0.97
C00212004040						1.575	40					1.228	31.2	1.024	26.0			4.44	0.78
C00214003003						0.126	3.2					0.087	2.2	0.063	1.6			22.40	3.92
C00214003004						0.157	4					0.108	2.8	0.079	2.0			17.92	3.14
C00214003005						0.197	5					0.134	3.4	0.098	2.5			14.00	2.45
C00214003006						0.248	6.3					0.169	4.3	0.122	3.1			11.20	1.96
C00214003008	RH	0.084	2.14	0.013	0.32	0.315	8			0.055	1.4	0.217	5.5	0.157	4.0	0.88	3.92	8.96	1.57
C00214003010						0.394	10					0.268	6.8	0.197	5.0			7.00	1.23
C00214003013						0.492	12.5					0.335	8.5	0.244	6.2			5.60	0.98
C00214003016						0.630	16					0.433	11.0	0.315	8.0			4.48	0.78
C00214003020						0.787	20					0.539	13.7	0.394	10.0			3.56	0.62
C00214003025						0.984	25					0.669	17.0	0.492	12.5			2.80	0.49
C00232005004						0.157	4					0.133	3.4	0.118	3.0			111.11	19.46
C00232005005						0.197	5					0.166	4.2	0.148	3.8			88.89	15.57
C00232005006						0.248	6.3					0.208	5.3	0.185	4.7			69.44	12.16
C00232005008						0.315	8					0.265	6.7	0.236	6.0			55.56	9.73
C00232005010		0.091	2.32	0.020	0.5	0.394	10	0.098	2.5	0.049	1.3	0.327	8.3	0.287	7.3	2.76	12.26	41.15	7.21
C00232005013						0.492	12.5					0.413	10.5	0.366	9.3			34.72	6.08
C00232005016						0.630	16					0.531	13.5	0.472	12.0			27.78	4.87
C00232005020						0.787	20					0.663	16.9	0.591	15.0			22.22	3.89
C00232005025						0.984	25					0.828	21.0	0.736	18.7			17.64	3.09
C00240003040		0.094	2.4	0.010	0.25	1.575	40			0.071	1.8	0.866	22.0	0.472	12.0	0.40	1.77	0.56	0.10



**SPEC** TO ORDER: WWW.ASRAYMOND.COM OR SEE PHONE & FAX NUMBERS ON BACK COVER

**HIGH PERFORMANCE COMPRESSION SPRINGS**

Catalog Number	Coil Dir.	Outside Diameter (OD)		Wire Diameter (d)		Free Length (L) Approx.		Fits in Hole Size (H)		Fits over Shaft (R)		Load Length (L <sub>1</sub> )		Solid Height (Sh) Approx.		Load (P) at L <sub>1</sub> ±10%		Spring Rate (R) Reference Only	
		in	mm	in	mm	in	mm	in	mm	in	mm	in	mm	in	mm	lb	N	lb/in	N/mm
C00240003050	RH			0.010	0.25	1.969	50			0.071	1.8	1.083	27.5	0.551	14.0	0.40	1.77	0.45	0.08
C00240003063						2.480	63					1.378	35.0	0.709	18.0			0.36	0.06
C00240005013						0.492	12.5					0.381	9.7	0.315	8.0			17.78	3.11
C00240005016						0.630	16					0.491	12.5	0.409	10.4			14.29	2.50
C00240005020	LH	0.094	2.4	0.018	0.45	0.787	20			0.055	1.4	0.614	15.6	0.512	13.0	1.98	8.83	11.43	2.00
C00240005025						0.984	25					0.761	19.3	0.630	16.0			8.89	1.56
C00240005032						1.260	32					0.982	24.9	0.819	20.8			7.14	1.25
C00240005040						1.575	40					1.228	31.2	1.024	26.0			5.71	1.00
C00242004003						0.126	3.2					0.087	2.2	0.063	1.6			28.00	4.90
C00242004004						0.157	4					0.108	2.8	0.079	2.0			22.40	3.92
C00242004005						0.197	5	0.098	2.5			0.134	3.4	0.098	2.5			17.50	3.07
C00242004006						0.248	6.3					0.169	4.3	0.122	3.1			14.00	2.45
C00242004008						0.315	8					0.217	5.5	0.157	4.0			11.20	1.96
C00242004010						0.394	10					0.268	6.8	0.197	5.0			8.75	1.53
C00242004013		0.095	2.42	0.014	0.36	0.492	12.5			0.063	1.6	0.335	8.5	0.244	6.2	1.10	4.90	7.00	1.23
C00242004016						0.630	16					0.433	11.0	0.315	8.0			5.60	0.98
C00242004020						0.787	20					0.539	13.7	0.394	10.0			4.44	0.78
C00242004025						0.984	25					0.669	17.0	0.492	12.5			3.50	0.61
C00242004032						1.260	32					0.866	22.0	0.630	16.0			2.80	0.49
C00242004040						1.575	40					1.083	27.5	0.787	20.0			2.24	0.39
C00242004050						1.969	50					1.339	34.0	0.984	25.0			1.75	0.31
C00257003008						0.315	8					0.197	5.0	0.126	3.2			6.72	1.18
C00257003010						0.394	10					0.244	6.2	0.157	4.0			5.31	0.93
C00257003013						0.492	12.5					0.303	7.7	0.197	5.0			4.20	0.74
C00257003016		0.101	2.57	0.013	0.32	0.630	16	0.106	2.7	0.071	1.8	0.394	10.0	0.252	6.4	0.79	3.53	3.36	0.59
C00257003020						0.787	20					0.492	12.5	0.315	8.0			2.69	0.47
C00257003025						0.984	25					0.606	15.4	0.394	10.0			2.10	0.37
C00257003032						1.260	32					0.787	20.0	0.512	13.0			1.68	0.29
C00257003040						1.575	40					0.984	25.0	0.630	16.0			1.34	0.24
C00262005005	RH					0.197	5					0.166	4.2	0.148	3.8			113.78	19.93
C00262005006						0.248	6.3					0.208	5.3	0.185	4.7			88.89	15.57
C00262005008						0.315	8					0.265	6.7	0.236	6.0			71.11	12.46
C00262005010		0.103	2.62	0.022	0.56	0.394	10			0.055	1.4	0.327	8.3	0.287	7.3	3.53	15.69	52.67	9.23
C00262005013						0.492	12.5					0.413	10.5	0.366	9.3			44.44	7.78
C00262005016						0.630	16					0.531	13.5	0.472	12.0			35.56	6.23
C00262005020						0.787	20					0.663	16.9	0.591	15.0			28.44	4.98
C00262005025						0.984	25					0.828	21.0	0.736	18.7			22.57	3.95
C00268003004						0.157	4					0.087	2.2	0.047	1.2			6.84	1.20
C00268003016						0.630	16					0.354	9.0	0.189	4.8			1.76	0.31
C00268003020						0.787	20					0.433	11.0	0.236	6.0			1.37	0.24
C00268003025			2.68	0.011	0.28	0.984	25			0.079	2.0	0.543	13.8	0.276	7.0	0.49	2.16	1.10	0.19
C00268003032						1.260	32					0.709	18.0	0.374	9.5			0.88	0.15
C00268003040						1.575	40					0.866	22.0	0.472	12.0			0.68	0.12
C00268003050						1.969	50					1.083	27.5	0.551	14.0			0.55	0.10
C00268003063						2.480	63					1.378	35.0	0.709	18.0			0.44	0.08
C00270004005						0.197	5	0.110	2.8			0.134	3.4	0.098	2.5			22.05	3.86
C00270004006						0.248	6.3					0.169	4.3	0.122	3.1			17.64	3.09
C00270004008		0.106				0.315	8					0.217	5.5	0.157	4.0			14.11	2.47
C00270004010						0.394	10					0.268	6.8	0.197	5.0			11.03	1.93
C00270004013						0.492	12.5					0.335	8.5	0.244	6.2			8.82	1.54
C00270004016				0.016	0.4	0.630	16			0.071	1.8	0.433	11.0	0.315	8.0	1.39	6.18	7.06	1.24
C00270004020			2.7			0.787	20					0.539	13.7	0.394	10.0			5.60	0.98
C00270004025						0.984	25					0.669	17.0	0.492	12.5			4.41	0.77
C00270004032						1.260	32					0.866	22.0	0.630	16.0			3.53	0.62
C00270004040						1.575	40					1.083	27.5	0.787	20.0			2.82	0.49
C00270004050						1.969	50					1.339	34.0	0.984	25.0			2.21	0.39
C00270005005						0.197	5					0.152	3.9	0.126	3.2			54.32	9.51
C00270005006				0.020	0.5	0.248	6.3			0.063	1.6	0.193	4.9	0.161	4.1	2.43	10.79	44.44	7.78
C00270005008						0.315	8					0.246	6.2	0.205	5.2			34.92	6.12



**HIGH PERFORMANCE COMPRESSION SPRINGS**

Catalog Number	Coil Dir.	Outside Diameter (OD)		Wire Diameter (d)		Free Length (L) Approx.		Fits in Hole Size (H)		Fits over Shaft (R)		Load Length (L <sub>1</sub> )		Solid Height (Sh) Approx.		Load (P) at L <sub>1</sub> ±10%		Spring Rate (R) Reference Only	
		in	mm	in	mm	in	mm	in	mm	in	mm	in	mm	in	mm	lb	N	lb/in	N/mm
C00270005010						0.394	10					0.304	7.7	0.252	6.4			27.16	4.76
C00270005013						0.492	12.5					0.381	9.7	0.315	8.0			21.73	3.81
C00270005016						0.630	16					0.491	12.5	0.409	10.4			17.46	3.06
C00270005020	RH	0.106	2.7	0.020	0.5	0.787	20	0.110	2.8	0.063	1.6	0.614	15.6	0.512	13.0	2.43	10.79	13.97	2.45
C00270005025						0.984	25					0.761	19.3	0.630	16.0			10.86	1.90
C00270005032						1.260	32					0.982	24.9	0.819	20.8			8.73	1.53
C00270005040						1.575	40					1.228	31.2	1.024	26.0			6.98	1.22
C00284004008		0.112	2.84	0.014	0.36	0.315	8	0.118	3.0	0.079	2.0	0.197	5.0	0.126	3.2	0.99	4.41	8.40	1.47
C00300003004						0.157	4					0.087	2.2	0.047	1.2			8.71	1.53
C00300003005						0.197	5					0.110	2.8	0.055	1.4			7.13	1.25
C00300003006						0.248	6.3					0.138	3.5	0.071	1.8			5.60	0.98
C00300003008						0.315	8					0.173	4.4	0.094	2.4			4.36	0.76
C00300003010						0.394	10					0.217	5.5	0.118	3.0			3.48	0.61
C00300003013						0.492	12.5					0.272	6.9	0.177	4.5			2.80	0.49
C00300003016				0.013	0.32	0.630	16			0.087	2.2	0.354	9.0	0.189	4.8	0.62	2.75	2.24	0.39
C00300003020						0.787	20					0.433	11.0	0.236	6.0			1.74	0.31
C00300003025						0.984	25					0.543	13.8	0.276	7.0			1.40	0.25
C00300003032						1.260	32					0.709	18.0	0.374	9.5			1.12	0.20
C00300003040						1.575	40					0.866	22.0	0.472	12.0			0.87	0.15
C00300003050						1.969	50					1.083	27.5	0.551	14.0			0.70	0.12
C00300003063						2.480	63					1.378	35.0	0.709	18.0			0.56	0.10
C00300005016						0.630	16					0.491	12.5	0.409	10.4			22.22	3.89
C00300005020		0.118	3	0.022	0.56	0.787	20	0.126	3.2	0.071	1.8	0.614	15.6	0.512	13.0			17.78	3.11
C00300005025						0.984	25					0.761	19.3	0.630	16.0	3.09	13.73	13.83	2.42
C00300005032						1.260	32					0.982	24.9	0.819	20.8			11.11	1.95
C00300005040						1.575	40					1.228	31.2	1.024	26.0			8.89	1.56
C00300006005						0.197	5					0.166	4.2	0.148	3.8			142.22	24.91
C00300006006	LH					0.248	6.3					0.208	5.3	0.185	4.7			111.11	19.46
C00300006008						0.315	8					0.265	6.7	0.236	6.0			88.89	15.57
C00300006010						0.394	10					0.327	8.3	0.287	7.3			65.84	11.53
C00300006013						0.492	12.5					0.413	10.5	0.366	9.3			55.56	9.73
C00300006016				0.025	0.63	0.630	16			0.063	1.6	0.531	13.5	0.472	12.0	4.41	19.61	44.44	7.78
C00300006020						0.787	20					0.663	16.9	0.591	15.0			35.56	6.23
C00300006025						0.984	25					0.828	21.0	0.736	18.7			28.22	4.94
C00300006032						1.260	32					1.061	27.0	0.945	24.0			22.22	3.89
C00300006040						1.575	40					1.327	33.7	1.181	30.0			17.78	3.11
C00300006050						1.969	50					1.658	42.1	1.476	37.5			14.22	2.49
C00300006063						2.480	63					2.083	52.9	1.850	47.0			11.11	1.95
C00309003010						0.394	10					0.197	5.0	0.079	2.0			1.40	0.25
C00309003013						0.492	12.5					0.244	6.2	0.098	2.5			1.11	0.19
C00309003016						0.630	16					0.315	8.0	0.126	3.2			0.88	0.15
C00309003020		0.122	3.09	0.010	0.25	0.787	20	0.130	3.3	0.098	2.5	0.394	10.0	0.157	4.0	0.28	1.23	0.70	0.12
C00309003025						0.984	25					0.492	12.5	0.197	5.0			0.56	0.10
C00309003032						1.260	32					0.630	16.0	0.252	6.4			0.44	0.08
C00309003040						1.575	40					0.787	20.0	0.315	8.0			0.35	0.06
C00320004010						0.394	10					0.244	6.2	0.157	4.0			8.25	1.45
C00320004013						0.492	12.5					0.303	7.7	0.197	5.0			6.53	1.14
C00320004016						0.630	16					0.394	10.0	0.252	6.4			5.23	0.92
C00320004020	RH	0.126	3.2	0.016	0.4	0.787	20	0.134	3.4	0.089	2.3	0.492	12.5	0.315	8.0	1.23	5.49	4.18	0.73
C00320004025						0.984	25					0.606	15.4	0.394	10.0			3.27	0.57
C00320004032						1.260	32					0.787	20.0	0.512	13.0			2.61	0.46
C00320004040						1.575	40					0.984	25.0	0.630	16.0			2.09	0.37
C00320004050						1.969	50					1.220	31.0	0.787	20.0			1.65	0.29
C00330007005						0.197	5					0.166	4.2	0.148	3.8			177.78	31.14
C00330007006						0.248	6.3					0.208	5.3	0.185	4.7			138.89	24.33
C00330007008	LH	0.130	3.3	0.028	0.7	0.315	8	0.142	3.6	0.071	1.8	0.265	6.7	0.236	6.0	5.51	24.52	111.11	19.46
C00330007010						0.394	10					0.327	8.3	0.287	7.3			82.30	14.42
C00330007013						0.492	12.5					0.413	10.5	0.366	9.3			69.44	12.16
C00330007016						0.630	16					0.531	13.5	0.472	12.0			55.56	9.73



TO ORDER: WWW.ASRAYMOND.COM OR SEE PHONE & FAX NUMBERS ON BACK COVER



**HIGH PERFORMANCE COMPRESSION SPRINGS**

Catalog Number	Coil Dir.	Outside Diameter (OD)		Wire Diameter (d)		Free Length (L) Approx.		Fits in Hole Size (H)		Fits over Shaft (R)		Load Length (L <sub>1</sub> )		Solid Height (Sh) Approx.		Load (P) at L <sub>1</sub> ±10%		Spring Rate (R) Reference Only	
		in	mm	in	mm	in	mm	in	mm	in	mm	in	mm	in	mm	lb	N	lb/in	N/mm
C00330007020						0.787	20					0.663	16.9	0.591	15.0			44.44	7.78
C00330007025						0.984	25					0.828	21.0	0.736	18.7			35.27	6.18
C00330007032		0.130	3.3	0.028	0.7	1.260	32			0.071	1.8	1.061	27.0	0.945	24.0	5.51	24.52	27.78	4.87
C00330007040						1.575	40					1.327	33.7	1.181	30.0			22.22	3.89
C00330007050						1.969	50					1.658	42.1	1.476	37.5			17.78	3.11
C00330007063						2.480	63					2.083	52.9	1.850	47.0			13.89	2.43
C00332005006						0.248	6.3					0.169	4.3	0.122	3.1			28.00	4.90
C00332005008	LH					0.315	8					0.217	5.5	0.157	4.0			22.40	3.92
C00332005010						0.394	10					0.268	6.8	0.197	5.0			17.50	3.07
C00332005013						0.492	12.5					0.335	8.5	0.244	6.2			14.00	2.45
C00332005016		0.131	3.32	0.020	0.5	0.630	16			0.089	2.3	0.433	11.0	0.315	8.0	2.21	9.81	11.20	1.96
C00332005020						0.787	20					0.539	13.7	0.394	10.0			8.89	1.56
C00332005025						0.984	25					0.669	17.0	0.492	12.5			7.00	1.23
C00332005032						1.260	32					0.866	22.0	0.630	16.0			5.60	0.98
C00332005040						1.575	40					1.083	27.5	0.787	20.0			4.48	0.78
C00332005050						1.969	50					1.339	34.0	0.984	25.0			3.50	0.61
C00336006006						0.248	6.3					0.193	4.9	0.161	4.1			72.73	12.74
C00336006008						0.315	8					0.246	6.2	0.205	5.2			57.14	10.01
C00336006010						0.394	10	0.142	3.6			0.304	7.7	0.252	6.4			44.44	7.78
C00336006013						0.492	12.5					0.381	9.7	0.315	8.0			35.56	6.23
C00336006016						0.630	16					0.491	12.5	0.409	10.4			28.57	5.00
C00336006020	RH	0.132	3.36	0.025	0.63	0.787	20			0.079	2.0	0.614	15.6	0.512	13.0	3.97	17.65	22.86	4.00
C00336006025						0.984	25					0.761	19.3	0.630	16.0			17.78	3.11
C00336006032						1.260	32					0.982	24.9	0.819	20.8			14.29	2.50
C00336006040						1.575	40					1.228	31.2	1.024	26.0			11.43	2.00
C00336006050						1.969	50					1.522	38.7	1.260	32.0			8.89	1.56
C00336006063						2.480	63					1.922	48.8	1.594	40.5			7.11	1.25
C00337004005						0.197	5					0.110	2.8	0.055	1.4			9.16	1.61
C00337004006						0.248	6.3					0.138	3.5	0.071	1.8			7.20	1.26
C00337004008						0.315	8					0.173	4.4	0.094	2.4			5.60	0.98
C00337004010						0.394	10					0.217	5.5	0.118	3.0			4.48	0.78
C00337004013						0.492	12.5					0.272	6.9	0.177	4.5			3.60	0.63
C00337004016	LH	0.133	3.37	0.014	0.36	0.630	16			0.098	2.5	0.354	9.0	0.189	4.8	0.79	3.53	2.88	0.50
C00337004020						0.787	20					0.433	11.0	0.236	6.0			2.24	0.39
C00337004025						0.984	25					0.543	13.8	0.276	7.0			1.80	0.32
C00337004032						1.260	32					0.709	18.0	0.374	9.5			1.44	0.25
C00337004040						1.575	40					0.866	22.0	0.472	12.0			1.12	0.20
C00337004050						1.969	50					1.083	27.5	0.551	14.0			0.90	0.16
C00337004063						2.480	63					1.378	35.0	0.709	18.0			0.72	0.13
C00347003010						0.394	10					0.197	5.0	0.079	2.0			1.79	0.31
C00347003013						0.492	12.5					0.244	6.2	0.098	2.5			1.42	0.25
C00347003016						0.630	16					0.315	8.0	0.126	3.2			1.12	0.20
C00347003020		0.137	3.47	0.012	0.3	0.787	20	0.146	3.7	0.110	2.8	0.394	10.0	0.157	4.0	0.35	1.57	0.90	0.16
C00347003025						0.984	25					0.492	12.5	0.197	5.0			0.72	0.13
C00347003032						1.260	32					0.630	16.0	0.252	6.4			0.56	0.10
C00347003040						1.575	40					0.787	20.0	0.315	8.0			0.45	0.08
C00347003050	RH					1.969	50					0.984	25.0	0.394	10.0			0.36	0.06
C00355005013						0.492	12.5					0.303	7.7	0.197	5.0			8.17	1.43
C00355005016						0.630	16					0.394	10.0	0.252	6.4			6.53	1.14
C00355005020						0.787	20					0.492	12.5	0.315	8.0			5.23	0.92
C00355005025		0.140	3.55	0.018	0.45	0.984	25	0.150	3.8	0.098	2.5	0.606	15.4	0.394	10.0	1.54	6.86	4.08	0.72
C00355005032						1.260	32					0.787	20.0	0.512	13.0			3.27	0.57
C00355005040						1.575	40					0.984	25.0	0.630	16.0			2.61	0.46
C00355005050						1.969	50					1.220	31.0	0.787	20.0			2.06	0.36
C00355005063						2.480	63					1.535	39.0	0.984	25.0			1.63	0.29
C00376007032						1.260	32					0.982	24.9	0.819	20.8			17.86	3.13
C00376007040	LH	0.148	3.76	0.028	0.7	1.575	40	0.157	4.0	0.089	2.3	1.228	31.2	1.024	26.0	4.96	22.07	14.29	2.50
C00376007050						1.969	50					1.522	38.7	1.260	32.0			11.11	1.95
C00376007063						2.480	63					1.922	48.8	1.594	40.5			8.89	1.56



**SPEC** TO ORDER: [WWW.ASRAYMOND.COM](http://WWW.ASRAYMOND.COM) OR SEE PHONE & FAX NUMBERS ON BACK COVER

**HIGH PERFORMANCE COMPRESSION SPRINGS**

Catalog Number	Coil Dir.	Outside Diameter (OD)		Wire Diameter (d)		Free Length (L) Approx.		Fits in Hole Size (H)		Fits over Shaft (R)		Load Length (L <sub>1</sub> )		Solid Height (Sh) Approx.		Load (P) at L <sub>1</sub> ±10%		Spring Rate (R) Reference Only	
		in	mm	in	mm	in	mm	in	mm	in	mm	in	mm	in	mm	lb	N	lb/in	N/mm
C00377005006						0.248	6.3					0.169	4.3	0.122	3.1			35.00	6.13
C00377005008						0.315	8					0.217	5.5	0.157	4.0			28.00	4.90
C00377005010						0.394	10					0.268	6.8	0.197	5.0			21.88	3.83
C00377005013						0.492	12.5					0.335	8.5	0.244	6.2			17.50	3.07
C00377005016						0.630	16					0.433	11.0	0.315	8.0			14.00	2.45
C00377005020		0.148	3.77	0.022	0.56	0.787	20			0.098	2.5	0.539	13.7	0.394	10.0	2.76	12.26	11.11	1.95
C00377005025						0.984	25					0.669	17.0	0.492	12.5			8.75	1.53
C00377005032						1.260	32					0.866	22.0	0.630	16.0			7.00	1.23
C00377005040						1.575	40					1.083	27.5	0.787	20.0			5.60	0.98
C00377005050						1.969	50					1.339	34.0	0.984	25.0			4.38	0.77
C00377005063						2.480	63					1.693	43.0	1.220	31.0			3.50	0.61
C00377005080						3.150	80					2.165	55.0	1.575	40.0			2.80	0.49
C00380004005	LH					0.197	5	0.157	4.0			0.110	2.8	0.055	1.4			11.45	2.01
C00380004006						0.248	6.3					0.138	3.5	0.071	1.8			9.00	1.58
C00380004008						0.315	8					0.173	4.4	0.094	2.4			7.00	1.23
C00380004010						0.394	10					0.217	5.5	0.118	3.0			5.60	0.98
C00380004013						0.492	12.5					0.272	6.9	0.177	4.5			4.50	0.79
C00380004016						0.630	16					0.354	9.0	0.189	4.8			3.60	0.63
C00380004020		0.150	3.8	0.016	0.4	0.787	20			0.110	2.8	0.433	11.0	0.236	6.0	0.99	4.41	2.80	0.49
C00380004025						0.984	25					0.543	13.8	0.276	7.0			2.25	0.39
C00380004032						1.260	32					0.709	18.0	0.374	9.5			1.80	0.32
C00380004040						1.575	40					0.866	22.0	0.472	12.0			1.40	0.25
C00380004050						1.969	50					1.083	27.5	0.551	14.0			1.12	0.20
C00380004063						2.480	63					1.378	35.0	0.709	18.0			0.90	0.16
C00380004080						3.150	80					1.732	44.0	0.945	24.0			0.70	0.12
C00395003010						0.394	10					0.197	5.0	0.079	2.0			2.24	0.39
C00395003013						0.492	12.5					0.244	6.2	0.098	2.5			1.78	0.31
C00395003016						0.630	16					0.315	8.0	0.126	3.2			1.40	0.25
C00395003020	RH	0.156	3.95	0.013	0.32	0.787	20	0.169	4.3	0.126	3.2	0.394	10.0	0.157	4.0	0.44	1.96	1.12	0.20
C00395003025						0.984	25					0.492	12.5	0.197	5.0			0.90	0.16
C00395003032						1.260	32					0.630	16.0	0.252	6.4			0.70	0.12
C00395003040						1.575	40					0.787	20.0	0.315	8.0			0.56	0.10
C00395003050						1.969	50					0.984	25.0	0.394	10.0			0.45	0.08
C00400005013						0.492	12.5					0.303	7.7	0.197	5.0			10.50	1.84
C00400005016						0.630	16					0.394	10.0	0.252	6.4			8.40	1.47
C00400005020						0.787	20					0.492	12.5	0.315	8.0			6.72	1.18
C00400005025	LH	0.157	4	0.020	0.5	0.984	25	0.165	4.2	0.110	2.8	0.606	15.4	0.394	10.0	1.98	8.83	5.25	0.92
C00400005032						1.260	32					0.787	20.0	0.512	13.0			4.20	0.74
C00400005040						1.575	40					0.984	25.0	0.630	16.0			3.36	0.59
C00400005050						1.969	50					1.220	31.0	0.787	20.0			2.65	0.46
C00400005063						2.480	63					1.535	39.0	0.984	25.0			2.10	0.37
C00416009006						0.248	6.3					0.208	5.3	0.185	4.7			222.22	38.92
C00416009008						0.315	8					0.265	6.7	0.236	6.0			177.78	31.14
C00416009010						0.394	10					0.327	8.3	0.287	7.3			131.69	23.07
C00416009013						0.492	12.5					0.413	10.5	0.366	9.3			111.11	19.46
C00416009016						0.630	16					0.531	13.5	0.472	12.0			88.89	15.57
C00416009020		0.164	4.16	0.035	0.9	0.787	20			0.089	2.3	0.663	16.9	0.591	15.0	8.82	39.23	71.11	12.46
C00416009025						0.984	25					0.828	21.0	0.736	18.7			56.44	9.89
C00416009032						1.260	32					1.061	27.0	0.945	24.0			44.44	7.78
C00416009040						1.575	40	0.177	4.5			1.327	33.7	1.181	30.0			35.56	6.23
C00416009050	RH					1.969	50					1.658	42.1	1.476	37.5			28.44	4.98
C00416009063						2.480	63					2.083	52.9	1.850	47.0			22.22	3.89
C00420005006						0.248	6.3					0.138	3.5	0.071	1.8			11.20	1.96
C00420005008						0.315	8					0.173	4.4	0.094	2.4			8.71	1.53
C00420005010						0.394	10					0.217	5.5	0.118	3.0			6.97	1.22
C00420005013		0.165	4.2	0.018	0.45	0.492	12.5			0.126	3.2	0.272	6.9	0.177	4.5	1.23	5.49	5.60	0.98
C00420005016						0.630	16					0.354	9.0	0.189	4.8			4.48	0.78
C00420005020						0.787	20					0.433	11.0	0.236	6.0			3.48	0.61
C00420005025						0.984	25					0.543	13.8	0.276	7.0			2.80	0.49



TO ORDER: WWW.ASRAYMOND.COM OR SEE PHONE & FAX NUMBERS ON BACK COVER

**HIGH PERFORMANCE COMPRESSION SPRINGS**

Catalog Number	Coil Dir.	Outside Diameter (OD)		Wire Diameter (d)		Free Length (L) Approx.		Fits in Hole Size (H)		Fits over Shaft (R)		Load Length (L <sub>1</sub> )		Solid Height (Sh) Approx.		Load (P) at L <sub>1</sub> ±10%		Spring Rate (R) Reference Only	
		in	mm	in	mm	in	mm	in	mm	in	mm	in	mm	in	mm	lb	N	lb/in	N/mm
C00420005032						1.260	32					0.709	18.0	0.374	9.5			2.24	0.39
C00420005040						1.575	40					0.866	22.0	0.472	12.0			1.74	0.31
C00420005050		0.165	4.2	0.018	0.45	1.969	50			0.126	3.2	1.083	27.5	0.551	14.0	1.23	5.49	1.39	0.24
C00420005063						2.480	63					1.378	35.0	0.709	18.0			1.12	0.20
C00420005080						3.150	80					1.732	44.0	0.945	24.0			0.87	0.15
C00425008006						0.248	6.3					0.193	4.9	0.161	4.1			113.13	19.82
C00425008008						0.315	8					0.246	6.2	0.205	5.2			88.89	15.57
C00425008010	RH					0.394	10					0.304	7.7	0.252	6.4			69.14	12.11
C00425008013						0.492	12.5					0.381	9.7	0.315	8.0			55.31	9.69
C00425008016						0.630	16					0.491	12.5	0.409	10.4			44.44	7.78
C00425008020		0.167	4.25	0.031	0.8	0.787	20			0.098	2.5	0.614	15.6	0.512	13.0	6.17	27.46	35.56	6.23
C00425008025						0.984	25					0.761	19.3	0.630	16.0			27.65	4.84
C00425008032						1.260	32					0.982	24.9	0.819	20.8			22.22	3.89
C00425008040						1.575	40					1.228	31.2	1.024	26.0			17.78	3.11
C00425008050						1.969	50	0.177	4.5			1.522	38.7	1.260	32.0			13.83	2.42
C00425008063						2.480	63					1.922	48.8	1.594	40.5			11.06	1.94
C00426006006						0.248	6.3					0.169	4.3	0.122	3.1			44.80	7.85
C00426006008						0.315	8					0.217	5.5	0.157	4.0			35.84	6.28
C00426006010						0.394	10					0.268	6.8	0.197	5.0			28.00	4.90
C00426006013						0.492	12.5					0.335	8.5	0.244	6.2			22.40	3.92
C00426006016						0.630	16					0.433	11.0	0.315	8.0			17.92	3.14
C00426006020		0.168	4.26	0.025	0.63	0.787	20			0.110	2.8	0.539	13.7	0.394	10.0	3.53	15.69	14.22	2.49
C00426006025						0.984	25					0.669	17.0	0.492	12.5			11.20	1.96
C00426006032						1.260	32					0.866	22.0	0.630	16.0			8.96	1.57
C00426006040	LH					1.575	40					1.083	27.5	0.787	20.0			7.17	1.26
C00426006050						1.969	50					1.339	34.0	0.984	25.0			5.60	0.98
C00426006063						2.480	63					1.693	43.0	1.220	31.0			4.48	0.78
C00426006080						3.150	80					2.165	55.0	1.575	40.0			3.58	0.63
C00465010020						0.787	20					0.663	16.9	0.591	15.0			88.89	15.57
C00465010025						0.984	25					0.828	21.0	0.736	18.7			70.55	12.36
C00465010032		0.183	4.65	0.039	1	1.260	32			0.098	2.5	1.061	27.0	0.945	24.0	11.03	49.04	55.56	9.73
C00465010040						1.575	40					1.327	33.7	1.181	30.0			44.44	7.78
C00465010050						1.969	50					1.658	42.1	1.476	37.5			35.56	6.23
C00465010063						2.480	63					2.083	52.9	1.850	47.0			27.78	4.87
C00470007008						0.315	8					0.217	5.5	0.157	4.0			44.80	7.85
C00470007010						0.394	10					0.268	6.8	0.197	5.0			35.00	6.13
C00470007013						0.492	12.5					0.335	8.5	0.244	6.2			28.00	4.90
C00470007016						0.630	16					0.433	11.0	0.315	8.0			22.40	3.92
C00470007020						0.787	20					0.539	13.7	0.394	10.0			17.78	3.11
C00470007025	RH	0.185	4.7	0.028	0.7	0.984	25	0.197	5.0	0.126	3.2	0.669	17.0	0.492	12.5	4.41	19.61	14.00	2.45
C00470007032						1.260	32					0.866	22.0	0.630	16.0			11.20	1.96
C00470007040						1.575	40					1.083	27.5	0.787	20.0			8.96	1.57
C00470007050						1.969	50					1.339	34.0	0.984	25.0			7.00	1.23
C00470007063						2.480	63					1.693	43.0	1.220	31.0			5.60	0.98
C00470007080						3.150	80					2.165	55.0	1.575	40.0			4.48	0.78
C00470007100						3.937	100					2.677	68.0	1.969	50.0			3.50	0.61
C00480009020						0.787	20					0.614	15.6	0.512	13.0			45.71	8.01
C00480009025						0.984	25					0.761	19.3	0.630	16.0			35.56	6.23
C00480009032						1.260	32					0.982	24.9	0.819	20.8			28.57	5.00
C00480009040	LH	0.189	4.8	0.035	0.9	1.575	40			0.110	2.8	1.228	31.2	1.024	26.0	7.94	35.31	22.86	4.00
C00480009050						1.969	50					1.522	38.7	1.260	32.0			17.78	3.11
C00480009063						2.480	63					1.922	48.8	1.594	40.5			14.22	2.49
C00480009080						3.150	80					2.455	62.4	2.047	52.0			11.43	2.00
C00494004013						0.492	12.5					0.244	6.2	0.098	2.5			2.84	0.50
C00494004016						0.630	16					0.315	8.0	0.126	3.2			2.24	0.39
C00494004020	LH	0.194	4.94	0.016	0.4	0.787	20	0.205	5.2	0.157	4.0	0.394	10.0	0.157	4.0	0.71	3.14	1.79	0.31
C00494004025						0.984	25					0.492	12.5	0.197	5.0			1.43	0.25
C00494004032						1.260	32					0.630	16.0	0.252	6.4			1.12	0.20
C00494004040						1.575	40					0.787	20.0	0.315	8.0			0.90	0.16





### HIGH PERFORMANCE COMPRESSION SPRINGS

Catalog Number	Coil Dir.	Outside Diameter (OD)		Wire Diameter (d)		Free Length (L) Approx.		Fits in Hole Size (H)		Fits over Shaft (R)		Load Length (L <sub>1</sub> )		Solid Height (Sh) Approx.		Load (P) at L <sub>1</sub> ±10%		Spring Rate (R) Reference Only	
		in	mm	in	mm	in	mm	in	mm	in	mm	in	mm	in	mm	lb	N	lb/in	N/mm
		0.194 4.94		0.016 0.4		1.969 50		0.205 5.2		0.157 4.0		0.984 25.0		0.394 10.0		0.71 3.14		0.72 0.13	
C00494004050						2.480 63						1.220 31.0		0.496 12.6				0.56 0.10	
C00494004063						0.630 16						0.394 10.0		0.252 6.4				13.07 2.29	
C00510007016						0.787 20						0.492 12.5		0.315 8.0				10.45 1.83	
C00510007020						0.984 25						0.606 15.4		0.394 10.0				8.17 1.43	
C00510007025						1.260 32						0.787 20.0		0.512 13.0				6.53 1.14	
C00510007032						1.575 40		0.213 5.4		0.142 3.6		0.984 25.0		0.630 16.0		3.09 13.73		5.23 0.92	
C00510007040		0.201 5.1		0.026 0.65		1.969 50						1.220 31.0		0.787 20.0				4.13 0.72	
C00510007050						2.480 63						1.535 39.0		0.984 25.0				3.27 0.57	
C00510007063						3.150 80						1.969 50.0		1.260 32.0				2.61 0.46	
C00510007080						3.937 100						2.441 62.0		1.575 40.0				2.06 0.36	
C00510007100						0.248 6.3						0.208 5.3		0.185 4.7				350.00 61.30	
C00512011006	LH					0.315 8						0.265 6.7		0.236 6.0				280.00 49.04	
C00512011008						0.394 10						0.327 8.3		0.287 7.3				207.41 36.33	
C00512011010						0.492 12.5						0.413 10.5		0.366 9.3				175.00 30.65	
C00512011013						0.630 16						0.531 13.5		0.472 12.0				140.00 24.52	
C00512011016		0.202 5.12		0.044 1.12		0.787 20		0.220 5.6		0.110 2.8		0.663 16.9		0.591 15.0		13.89 61.78		112.00 19.62	
C00512011020						0.984 25						0.828 21.0		0.736 18.7				88.89 15.57	
C00512011025						1.260 32						1.061 27.0		0.945 24.0				70.00 12.26	
C00512011032						1.575 40						1.327 33.7		1.181 30.0				56.00 9.81	
C00512011040						1.969 50						1.658 42.1		1.476 37.5				44.80 7.85	
C00512011050						2.480 63						2.083 52.9		1.850 47.0				35.00 6.13	
C00512011063						3.150 80						2.654 67.4		2.362 60.0				28.00 4.90	
C00512011080						0.984 25						0.606 15.4		0.394 10.0				12.83 2.25	
C00640008025						1.260 32						0.787 20.0		0.512 13.0				10.27 1.80	
C00640008032						1.575 40						0.984 25.0		0.630 16.0				8.21 1.44	
C00640008040		0.252 6.4		0.031 0.8		1.969 50		0.268 6.8		0.177 4.5		1.220 31.0		0.787 20.0		4.85 21.58		6.48 1.14	
C00640008050						2.480 63						1.535 39.0		0.984 25.0				5.13 0.90	
C00640008063						3.150 80						1.969 50.0		1.260 32.0				4.11 0.72	
C00640008080						3.937 100						2.441 62.0		1.575 40.0				3.24 0.57	
C00640008100						4.921 125						3.031 77.0		1.969 50.0				2.57 0.45	
C00660014008						0.315 8						0.265 6.7		0.236 6.0				444.44 77.85	
C00660014010	RH					0.394 10						0.327 8.3		0.287 7.3				329.22 57.66	
C00660014013						0.492 12.5						0.413 10.5		0.366 9.3				277.78 48.65	
C00660014016						0.630 16						0.531 13.5		0.472 12.0				222.22 38.92	
C00660014020						0.787 20						0.663 16.9		0.591 15.0				177.78 31.14	
C00660014025		0.260 6.6		0.055 1.4		0.984 25				0.142 3.6		0.828 21.0		0.736 18.7		22.05 98.07		141.09 24.71	
C00660014032						1.260 32						1.061 27.0		0.945 24.0				111.11 19.46	
C00660014040						1.575 40						1.327 33.7		1.181 30.0				88.89 15.57	
C00660014050						1.969 50						1.658 42.1		1.476 37.5				71.11 12.46	
C00660014063						2.480 63						2.083 52.9		1.850 47.0				55.56 9.73	
C00660014080						3.150 80						2.654 67.4		2.362 60.0				44.44 7.78	
C00670007010						0.394 10		0.276 7.0				0.217 5.5		0.118 3.0				17.42 3.05	
C00670007013						0.492 12.5						0.272 6.9		0.177 4.5				14.00 2.45	
C00670007016						0.630 16						0.354 9.0		0.189 4.8				11.20 1.96	
C00670007020						0.787 20						0.433 11.0		0.236 6.0				8.71 1.53	
C00670007025						0.984 25						0.543 13.8		0.276 7.0				7.00 1.23	
C00670007032						1.260 32						0.709 18.0		0.374 9.5				5.60 0.98	
C00670007040	LH	0.264 6.7		0.028 0.7		1.575 40				0.197 5.0		0.866 22.0		0.472 12.0		3.09 13.73		4.36 0.76	
C00670007050						1.969 50						1.083 27.5		0.551 14.0				3.48 0.61	
C00670007063						2.480 63						1.378 35.0		0.709 18.0				2.80 0.49	
C00670007080						3.150 80						1.732 44.0		0.945 24.0				2.18 0.38	
C00670007100						3.937 100						2.165 55.0		1.181 30.0				1.74 0.31	
C00670007125						4.921 125						2.717 69.0		1.378 35.0				1.40 0.25	
C00670007160						6.299 160						3.543 90.0		1.890 48.0				1.12 0.20	
C00800010025						0.984 25						0.606 15.4		0.394 10.0				21.00 3.68	
C00800010032	RH	0.315 8		0.039 1		1.260 32		0.331 8.4		0.220 5.6		0.787 20.0		0.512 13.0		7.94 35.31		16.80 2.94	
C00800010040						1.575 40						0.984 25.0		0.630 16.0				13.44 2.35	
C00800010050						1.969 50						1.220 31.0		0.787 20.0				10.61 1.86	





**HIGH PERFORMANCE COMPRESSION SPRINGS**

Catalog Number	Coil Dir.	Outside Diameter (OD)		Wire Diameter (d)		Free Length (L) Approx.		Fits in Hole Size (H)		Fits over Shaft (R)		Load Length (L <sub>1</sub> )		Solid Height (Sh) Approx.		Load (P) at L <sub>1</sub> ±10%		Spring Rate (R) Reference Only	
		in	mm	in	mm	in	mm	in	mm	in	mm	in	mm	in	mm	lb	N	lb/in	N/mm
C00800010063						2.480	63					1.535	39.0	0.984	25.0			8.40	1.47
C00800010080	RH	0.315	8	0.039	1	3.150	80	0.331	8.4	0.220	5.6	1.969	50.0	1.260	32.0	7.94	35.31	6.72	1.18
C00800010100						3.937	100					2.441	62.0	1.575	40.0			5.31	0.93
C00800010125						4.921	125					3.031	77.0	1.969	50.0			4.20	0.74
C00850016016						0.630	16					0.491	12.5	0.409	10.4			177.78	31.14
C00850016020						0.787	20					0.614	15.6	0.512	13.0			142.22	24.91
C00850016025						0.984	25					0.761	19.3	0.630	16.0			110.62	19.38
C00850016032						1.260	32					0.982	24.9	0.819	20.8			88.89	15.57
C00850016040	LH	0.335	8.5	0.063	1.6	1.575	40			0.197	5.0	1.228	31.2	1.024	26.0	24.70	109.84	71.11	12.46
C00850016050						1.969	50					1.522	38.7	1.260	32.0			55.31	9.69
C00850016063						2.480	63					1.922	48.8	1.594	40.5			44.25	7.75
C00850016080						3.150	80					2.455	62.4	2.047	52.0			35.56	6.23
C00850016100						3.937	100					3.044	77.3	2.520	64.0			27.65	4.84
C00850016125						4.921	125					3.805	96.7	3.150	80.0			22.12	3.88
C00860009010						0.394	10					0.217	5.5	0.118	3.0			27.38	4.80
C00860009013						0.492	12.5	0.354	9.0			0.272	6.9	0.177	4.5			22.00	3.85
C00860009016						0.630	16					0.354	9.0	0.189	4.8			17.60	3.08
C00860009020						0.787	20					0.433	11.0	0.236	6.0			13.69	2.40
C00860009025						0.984	25					0.543	13.8	0.276	7.0			11.00	1.93
C00860009032						1.260	32					0.709	18.0	0.374	9.5			8.80	1.54
C00860009040						1.575	40					0.866	22.0	0.472	12.0			6.84	1.20
C00860009050		0.339	8.6	0.035	0.9	1.969	50			0.248	6.3	1.083	27.5	0.551	14.0	4.85	21.58	5.48	0.96
C00860009063						2.480	63					1.378	35.0	0.709	18.0			4.40	0.77
C00860009080						3.150	80					1.732	44.0	0.945	24.0			3.42	0.60
C00860009100	RH					3.937	100					2.165	55.0	1.181	30.0			2.74	0.48
C00860009125						4.921	125					2.717	69.0	1.378	35.0			2.20	0.39
C00860009160						6.299	160					3.543	90.0	1.890	48.0			1.76	0.31
C00860009200						7.874	200					4.331	110.0	2.362	60.0			1.37	0.24
C00860009250						9.843	250					5.433	138.0	2.756	70.0			1.10	0.19
C00865007025						0.984	25					0.492	12.5	0.197	5.0			4.48	0.78
C00865007032						1.260	32					0.630	16.0	0.252	6.4			3.50	0.61
C00865007040						1.575	40					0.787	20.0	0.315	8.0			2.80	0.49
C00865007050		0.341	8.65	0.028	0.7	1.969	50	0.358	9.1	0.276	7.0	0.984	25.0	0.394	10.0	2.21	9.81	2.24	0.39
C00865007063						2.480	63					1.220	31.0	0.496	12.6			1.75	0.31
C00865007080						3.150	80					1.575	40.0	0.630	16.0			1.40	0.25
C00865007100						3.937	100					1.969	50.0	0.787	20.0			1.12	0.20
C00865007125						4.921	125					2.441	62.0	0.984	25.0			0.89	0.16
C00990008025						0.984	25					0.492	12.5	0.197	5.0			5.60	0.98
C00990008032						1.260	32					0.630	16.0	0.252	6.4			4.38	0.77
C00990008040						1.575	40					0.787	20.0	0.315	8.0			3.50	0.61
C00990008050		0.390	9.9	0.031	0.8	1.969	50			0.315	8.0	0.984	25.0	0.394	10.0	2.76	12.26	2.80	0.49
C00990008063						2.480	63					1.220	31.0	0.496	12.6			2.19	0.38
C00990008080						3.150	80					1.575	40.0	0.630	16.0			1.75	0.31
C00990008100						3.937	100					1.969	50.0	0.787	20.0			1.40	0.25
C00990008125						4.921	125					2.441	62.0	0.984	25.0			1.11	0.19
C01000013032						1.260	32	0.413	10.5			0.787	20.0	0.512	13.0			26.13	4.58
C01000013040						1.575	40					0.984	25.0	0.630	16.0			20.91	3.66
C01000013050						1.969	50					1.220	31.0	0.787	20.0			16.51	2.89
C01000013063	LH	0.394	10	0.049	1.25	2.480	63			0.276	7.0	1.535	39.0	0.984	25.0			13.07	2.29
C01000013080						3.150	80					1.969	50.0	1.260	32.0			10.45	1.83
C01000013100						3.937	100					2.441	62.0	1.575	40.0			8.25	1.45
C01000013125						4.921	125					3.031	77.0	1.969	50.0	12.35	54.92	6.53	1.14
C01000013160						6.299	160					3.937	100.0	2.520	64.0			5.23	0.92
C01340014016						0.630	16					0.354	9.0	0.189	4.8			44.80	7.85
C01340014020						0.787	20					0.433	11.0	0.236	6.0			34.84	6.10
C01340014025		0.528	13.4	0.055	1.4	0.984	25	0.551	14.0	0.394	10.0	0.543	13.8	0.276	7.0			28.00	4.90
C01340014032						1.260	32					0.709	18.0	0.374	9.5			22.40	3.92
C01340014040						1.575	40					0.866	22.0	0.472	12.0			17.42	3.05
C01340014050						1.969	50					1.083	27.5	0.551	14.0			13.94	2.44



### HIGH PERFORMANCE COMPRESSION SPRINGS

Catalog Number	Coil Dir.	Outside Diameter (OD)		Wire Diameter (d)		Free Length (L) Approx.		Fits in Hole Size (H)		Fits over Shaft (R)		Load Length (L <sub>1</sub> )		Solid Height (Sh) Approx.		Load (P) at L <sub>1</sub> $\pm$ 10%		Spring Rate (R) Reference Only	
		in	mm	in	mm	in	mm	in	mm	in	mm	in	mm	in	mm	lb	N	lb/in	N/mm
C01340014063						2.480	63					1.378	35.0	0.709	18.0			11.20	1.96
C01340014080						3.150	80					1.732	44.0	0.945	24.0			8.71	1.53
C01340014100						3.937	100					2.165	55.0	1.181	30.0			6.97	1.22
C01340014125	LH	0.528	13.4	0.055	1.4	4.921	125	0.551	14.0	0.394	10.0	2.717	69.0	1.378	35.0	12.35	54.92	5.60	0.98
C01340014160						6.299	160					3.543	90.0	1.890	48.0			4.48	0.78
C01340014200						7.874	200					4.331	110.0	2.362	60.0			3.48	0.61
C01340014250						9.843	250					5.433	138.0	2.756	70.0			2.80	0.49
C01380011040						1.575	40					0.787	20.0	0.315	8.0			7.00	1.23
C01380011050						1.969	50					0.984	25.0	0.394	10.0			5.60	0.98
C01380011063						2.480	63					1.220	31.0	0.496	12.6			4.38	0.77
C01380011080	RH	0.543	13.8	0.043	1.1	3.150	80	0.575	14.6	0.441	11.2	1.575	40.0	0.630	16.0	5.51	24.52	3.50	0.61
C01380011100						3.937	100					1.969	50.0	0.787	20.0			2.80	0.49
C01380011125						4.921	125					2.441	62.0	0.984	25.0			2.22	0.39
C01380011160						6.299	160					3.150	80.0	1.260	32.0			1.75	0.31
C01380011200						7.874	200					3.937	100.0	1.575	40.0			1.40	0.25

ADDITIONAL DIMENSIONS ARE AVAILABLE BY CALLING 1-800-872-7732.

