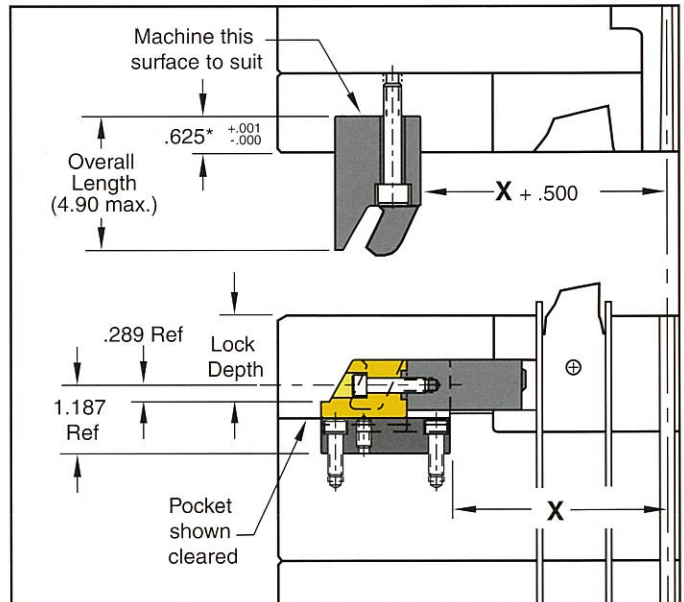
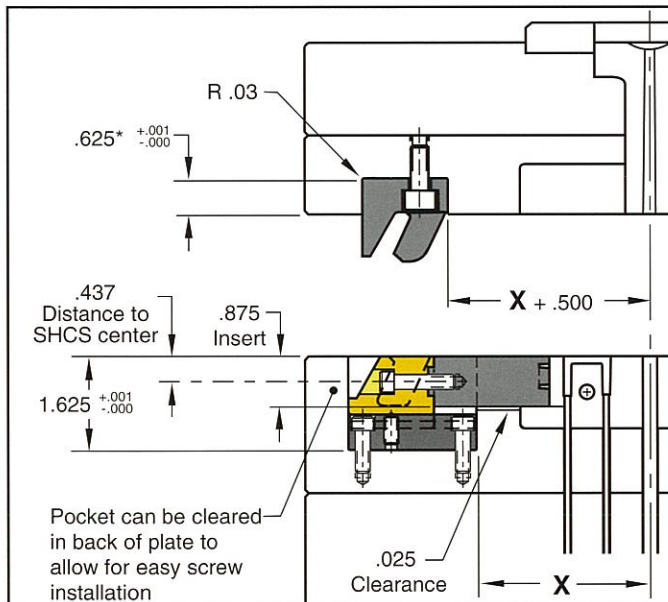
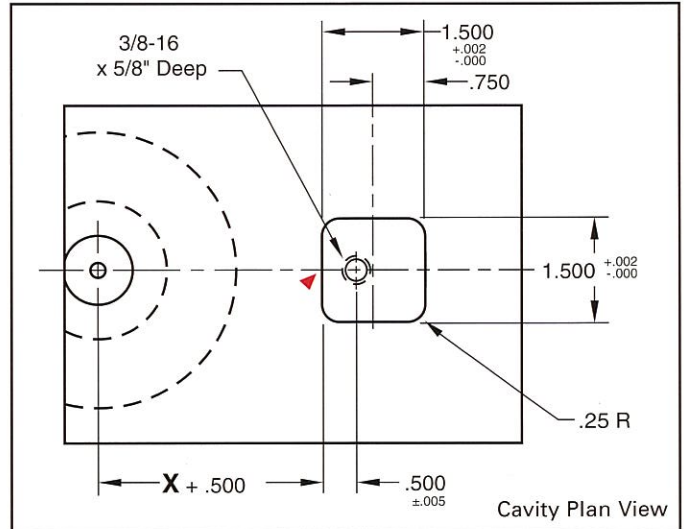
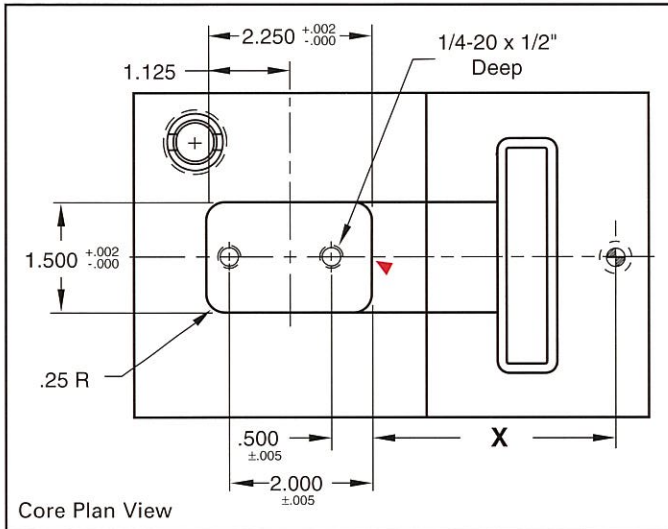
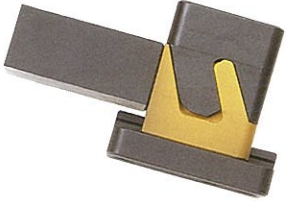
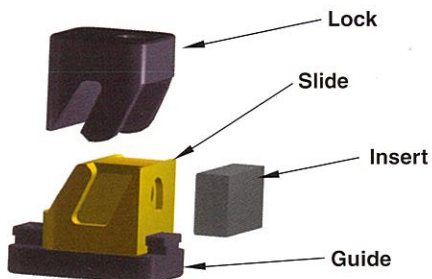


# CamAction®

## 300 Series: Inch Standard



\*Minus pre-load.



Travel = .250"

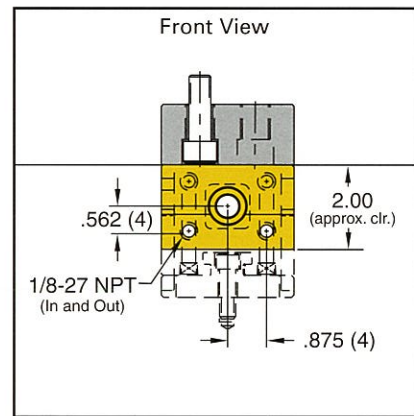
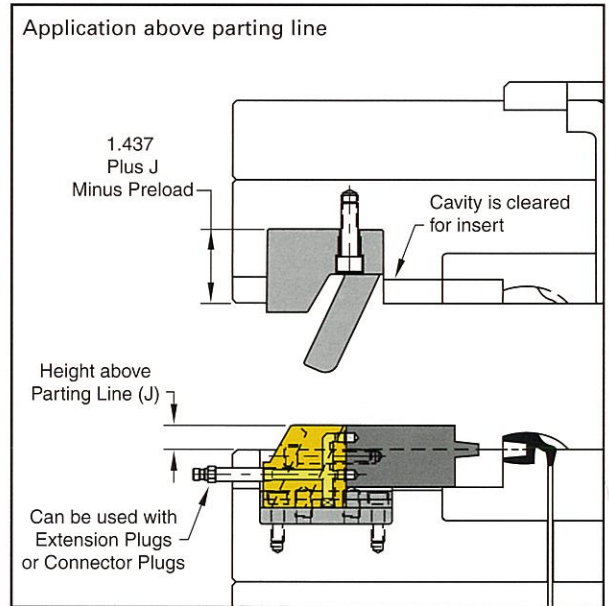
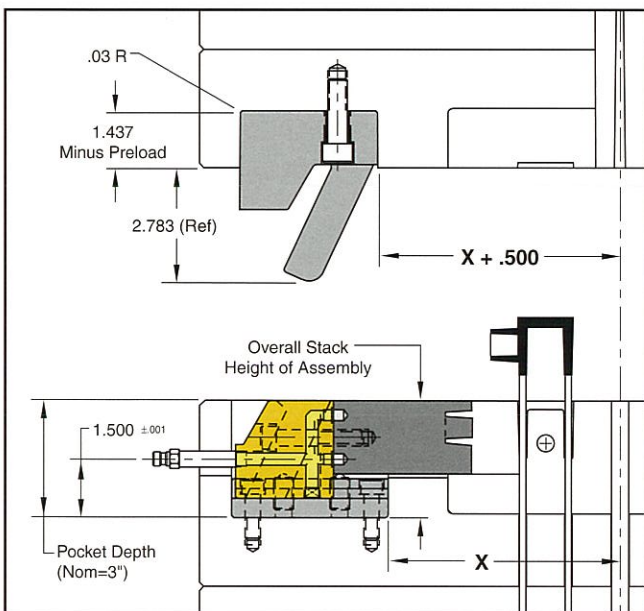
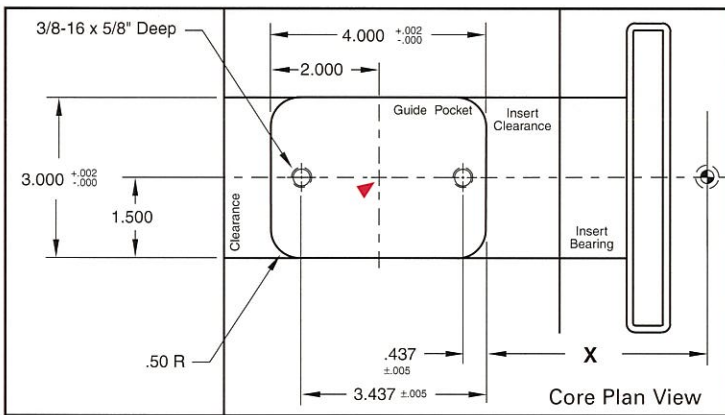
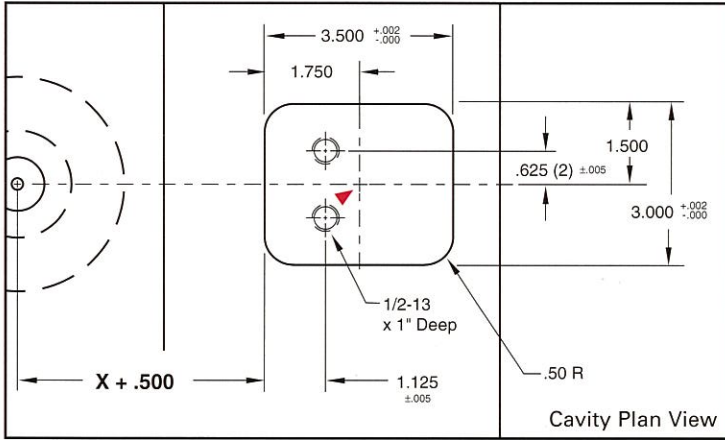
▶ CAD insertion point

Catalog Number	Description
CA-300	CamAction Unit-Standard Lock
CA-300L	CamAction Unit-Longer Lock

**D** [www.procomps.com/design](http://www.procomps.com/design)

# CamAction®

## 400 Series



Each assembly includes all screws, Threadless Waterline Plugs (2), and O-rings (2).

Travel = 1.00"

CAD insertion point

Catalog Number	Description
CA-400	CamAction Unit with 1" travel

www.procomps.com/design