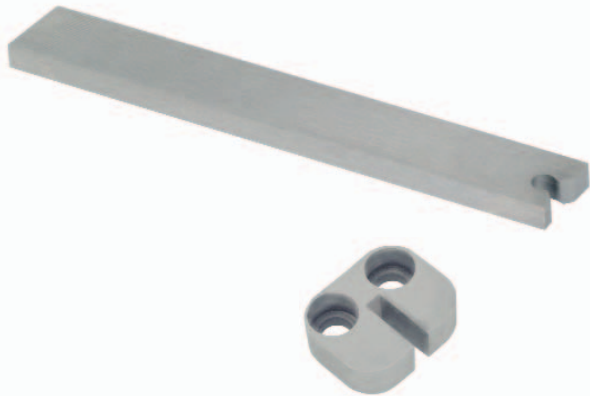


E-Z Lifter™ Mini Series

Patent No. 5,281,127



Advantages

- Smooth pivoting motion inhibits galling and reduces wear
- Design eliminates blow back problems
- Heel plates stabilize actuator and act as a positive stop
- Pre-hardened Lifter Blanks, no heat treat necessary
- No moving parts in ejector plate (no wear plate assemblies or sliding shoes)
- Simple stationary retainer installed between the ejector plates saves time and machining costs
- All E-Z Lifter™ components in stock
- **Patent No. 5,281,127**

Lifter Blanks

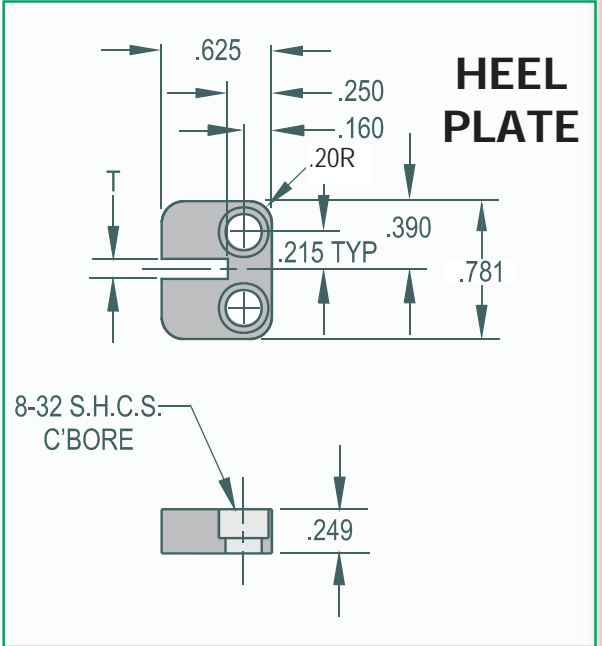
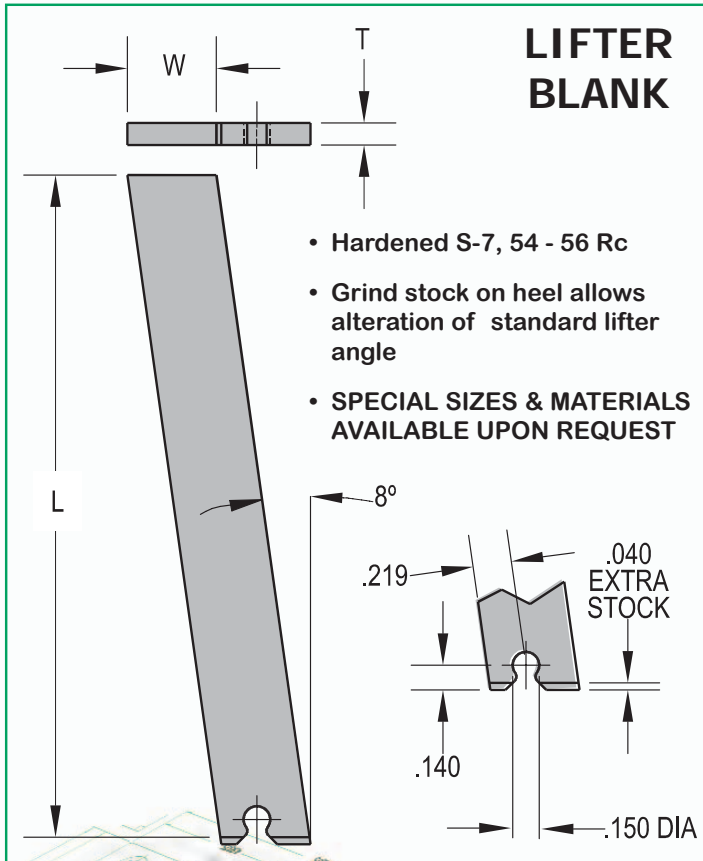
CATALOG NUMBER	T	W	L	COMPATIBLE ACTUATOR
LR01204M	.1250	.500	3.75	AM10
LR01804M	.1875	.500	3.75	AM10
LR02504M	.2500	.500	3.75	AM20

Engineering information available upon request

Heel Plates

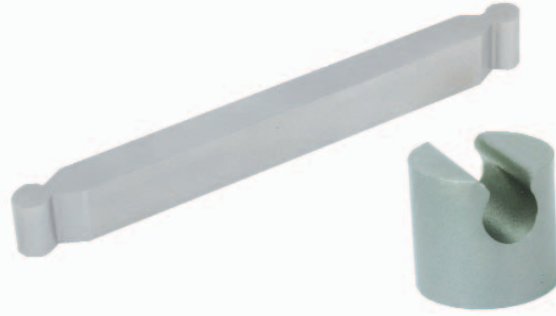
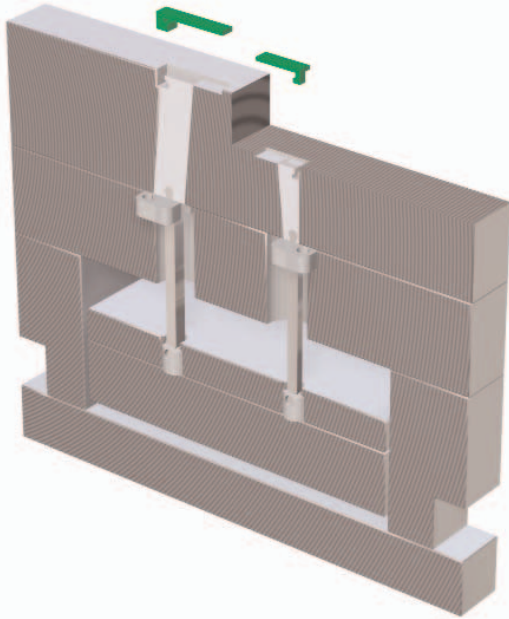
- Drilled and counterbored for securing in recessed pocket

CATALOG NUMBER	T
MHP-100	.103
MHP-200	.203



E-Z Lifter™ Mini Series

Patent No. 5,281,127



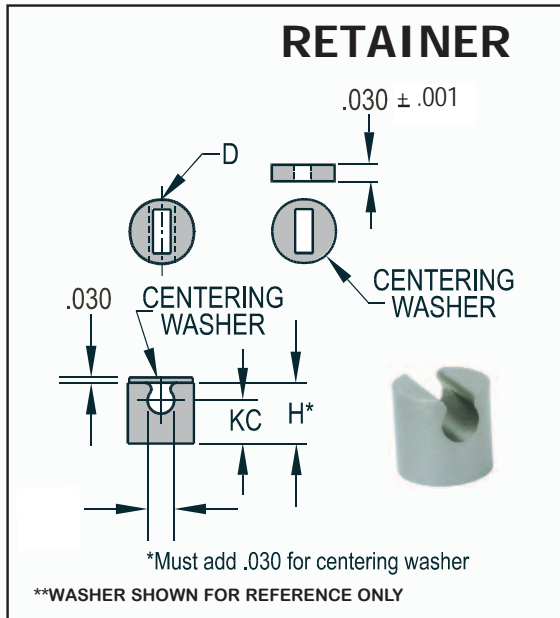
Actuators

• SPECIALS AVAILABLE UPON REQUEST

CATALOG NUMBER		CENTER DISTANCE	L
T = .100	T = .200		
AM10-269	AM20-269	2.542	2.692
AM10-319	AM20-319	3.042	3.192
AM10-369	AM20-369	3.542	3.692
AM10-419	AM20-419	4.042	4.192
AM10-469	AM20-469	4.542	4.692
AM10-519	AM20-519	5.042	5.192

Retainer

CATALOG NUMBER	H	KC	D -.0005 -.0008
HR375RM	.345	.245	.375

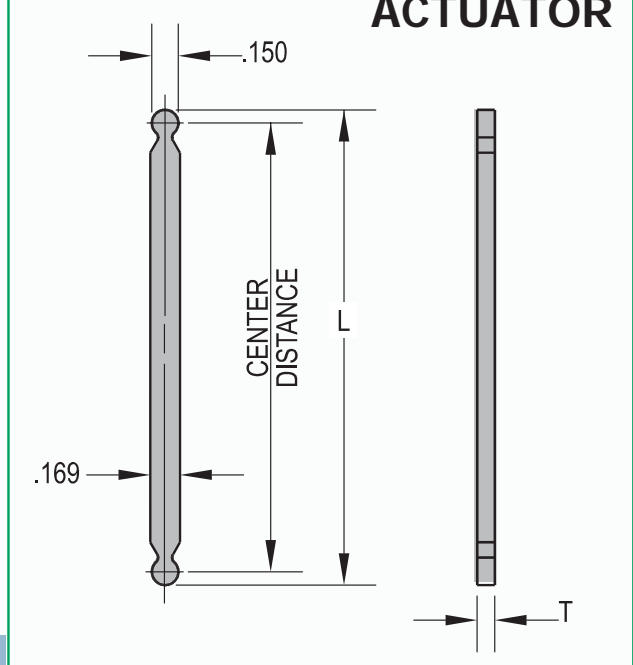


*Centering Washer

CATALOG NUMBER	SLOT SIZE
AM10 WASHER	.103 x .220
AM20 WASHER	.203 x .220

**INCLUDED FREE WITH ACTUATOR + RETAINER CAN ALSO BE PURCHASED SEPARATELY

ACTUATOR



Home of the Hardened Throughout™ Pin

