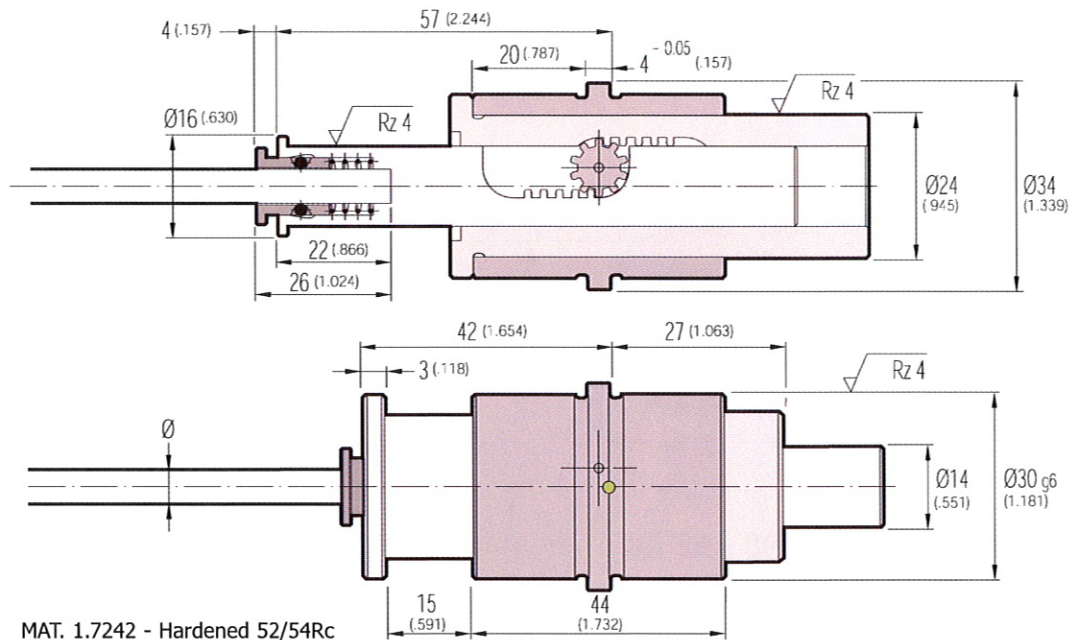


Accelerated Ejector

Patented Cumsa System

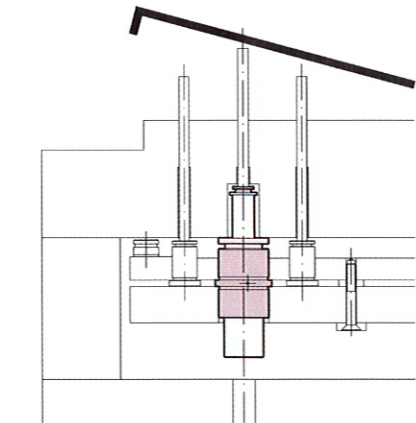
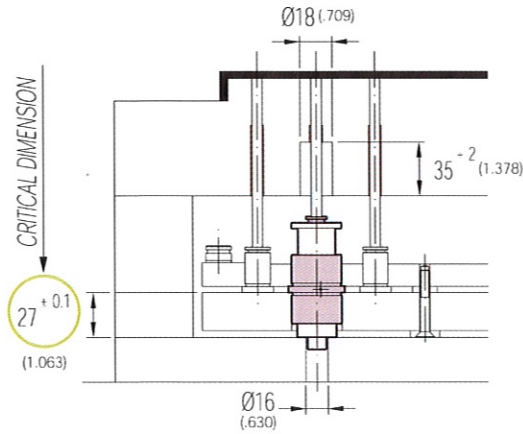


What's Important

- **Compact Size with Increased Stroke Length**
- Cylindrical shape for easy installation
- Provides increased stroke of selected ejector pins
- Utilizes Ejection Base Retainer System refer to I-13.

CATALOG NUMBER	Ø
AE 032430	3
AE 042430	4
AE 052430	5
AE 062430	6

Critical Dimension Must be Maintained



Home of the Hardened Throughout™ Pin

