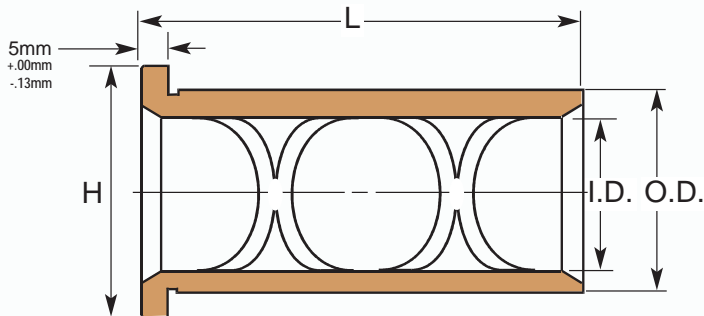


Metric Shoulder Bushings

Bronze Plated



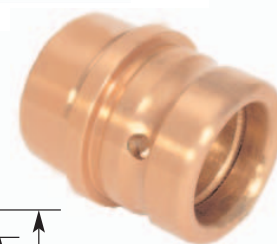
General Dimensions		
I.D.	O.D.	H ^{+0.00mm} _{-.25mm}
20 mm	26 mm	28 mm
25 mm	32 mm	35 mm
30 mm	38 mm	41 mm
40 mm	50 mm	53 mm
50 mm	60 mm	63 mm
60 mm	70 mm	73 mm

NOTE: ID and OD sizes are +.025mm

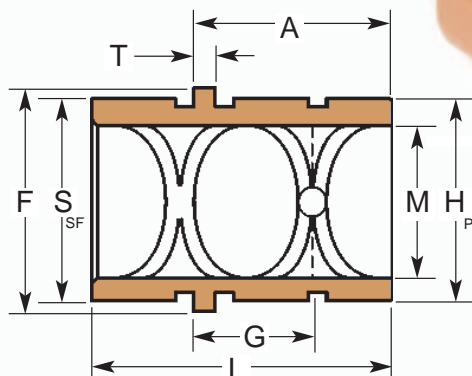
L LENGTH	I.D.					
	20 mm	25 mm	30 mm	40 mm	50 mm	60 mm
25 mm	LBBM-20-25	LBBM-25-25	LBBM-30-25	LBBM-40-25		
30 mm	LBBM-20-30	LBBM-25-30	LBBM-30-30	LBBM-40-30	LBBM-50-30	LBBM-60-30
40 mm	LBBM-20-40	LBBM-25-40	LBBM-30-40	LBBM-40-40	LBBM-50-40	LBBM-60-40
50 mm	LBBM-20-50	LBBM-25-50	LBBM-30-50	LBBM-40-50	LBBM-50-50	LBBM-60-50
65 mm	LBBM-20-65	LBBM-25-65	LBBM-30-65	LBBM-40-65	LBBM-50-65	LBBM-60-65
80 mm	LBBM-20-80	LBBM-25-80	LBBM-30-80	LBBM-40-80	LBBM-50-80	LBBM-60-80
100 mm	LBBM-20-100	LBBM-25-100	LBBM-30-100	LBBM-40-100	LBBM-50-100	LBBM-60-100
120 mm	LBBM-20-120	LBBM-25-120	LBBM-30-120	LBBM-40-120	LBBM-50-120	LBBM-60-120
140 mm		LBBM-25-140	LBBM-30-140	LBBM-40-140	LBBM-50-140	LBBM-60-140
150 mm		LBBM-25-150	LBBM-30-150	LBBM-40-150	LBBM-50-150	LBBM-60-150

Metric Guided Ejector Bushings

Bronze Plated



**Metric Self-Lube
Bushings are
Available**



CATALOG NUMBER	M ^{+0.076} _{+0.063}	H ^{+0.013} _{-.000}	L ^{+0.00} _{-.80}	F ^{+0.000} _{-.130}	S ^{+0.000} _{-.026}	A ^{+0.00} _{-.40}	G ^{+0.40} _{-.40}	T ^{+0.00} _{-.13}
EJM-20	20 mm	26 mm	37 mm	28 mm	26 mm	25 mm	15 mm	5 mm
EJM-25	25 mm	32 mm	45 mm	35 mm	32 mm	29 mm	16 mm	5 mm
EJM-30	30 mm	38 mm	45 mm	41 mm	38 mm	29 mm	16 mm	5 mm